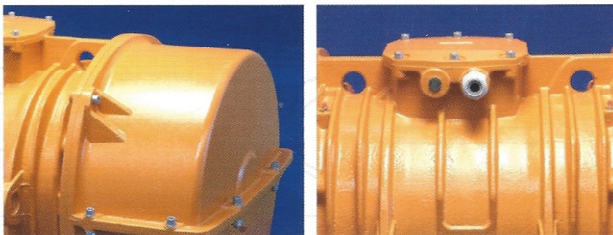




MVSI EXTERNAL ELECTRIC VIBRATOR-Single Phase



ELECTRIC VIBRATORS

MVSI

SINGLE PHASE

SUPPLEMENTARY TO CATALOGUE L0019/EN019

TO BE USED IN CONJUNCTION WITH CATALOGUE L0183 & L0702

VIBRATECHNIQUES LTD

20 Cecil Pashley Way, Shoreham Airport, Shoreham by Sea, West Sussex, BN43 5FF

Tel: +44 (0)1273 430977 Fax: +44 (0)1273 430978 Email: sales@vibtec.com Web: www.vibtec.com

■ **MVSI**

Loose Capacitors

LC

**Boxed Capacitor(s)
c/w 2 mtr Cable**

012472/012473

**Boxed Capacitor(s)
c/w 10 mtr & Plug**

012474/012475

All Part Numbers of Models shown in this leaflet are 50Hz Models 60 Hz Models are available if required consult the sales office. They have Part no have "60" suffix : MVSI100 50 Hz MVSI3/100.1PH.230.012473:60 Hz MVSI3/100.1PH.230.60.012473



Cables L0180

Formwork Clamp Leaflet L1407

ODE Control Unit Leaflet L0102

Direct on Line Starters Leaflet L0101

Technical Features

Power Supply

Single Phase 100-130Volt and 200-240Volth 50/60Hz.

Polarity

2 and 4 pole only

Conformity with Standards and Regulations

Low Voltage Directive 2006/95/EC
Atex Directive 2014/34/UE:EN/IEC60034-1
EN/IEC60079-0, EN/IEC 60079-31
UL1004-1.CSA C22.2 No 100, NEMA MG-1

Functioning

Continual service (S1) at maximum declared centrifugal force and electric power. Intermittent services are possible depending on the operating conditions. For detailed information, contact our technical assistance office.

Centrifugal Force

Up to 7.7kN maximum, with centrifugal force adjustable by varying eccentric weight positions refer to Technical Manual TM0015

Mechanical Protection

IP66 according to IEC/EN60529

Protection against mechanical impacts

IK 08 according to IEC/EN 62262

Insulation Class

Class F (155°C), class H (180°)on request.

Tropicalisation

Standard on all Vibrators with Vacuum encapsulation

Ambient Temperature

From -20°C to + 40°C. Versions for higher or lower temperatures are available on request.

Vibrator Thermal Protection

PTC thermistors are only available on request for single phase.

Fixing of the Vibrator

In all positions and therefore without restrictions.

Lubrication

All vibrators are lubricated in the factory and do not require further lubrication at Start-up.

Terminal Box

Large fixed electrical connections, see leaflet L0109. Special shaped terminal allow for fixing of the power supply cable, protecting it from coming loose.

Casing

In high tensile aluminium alloy

Bearing Flange

In cast iron (spheroidal or grey)). The geometry of the flange transmits the load to the casing uniformly.

Motor shaft

In treated steel alloy (Isothermic hardening) resistant to stress.

Eccentric weights

Allow continual adjustment of the centrifugal force. This force is realized by a graduated scale, which expresses the centrifugal force as a percentage of the maximum centrifugal force. See Technical manual TM0015.

A patented system, ARS prevents adjustment errors.

Supply Cables

Available on request, see leaflet L0180

Controls

Available on request
DOL Starters, Leaflet L0101
ODE Control Unit, Leaflet L0102

■ **MVSI**



The MVSI series represents the line of reference products for manufacturers of vibrating machines and plants operating in many industrial sectors and is made up of the largest range on the market, with centrifugal force values up to 30500 Kgf (300kN).

It is characterized by the continuous technological evolution in view of a continuous improvement in performance.

The MVSI series is designed to guarantee high performance in all conditions of use and environment, on page 14 the various surface treatments available are described.

Category: II2D

Level of protection:

Ex tD A21 T...°C IP66 (Ex tb IIIC T...°C Db)

Temperature class:

see tables

UE certificate:

LCIE 05 ATEX 6163 X

Zones of use:

21, 22

Painting / Surface coating

Electrostatic surface treatment based on epoxy polyester powder polymerised in oven at 200°C. Tested in salt spray for 500 hours. On request on MVSI series other surface coatings may be available, see page 14. Available also MVSS series with external components in stainless steel AISI 304, see page 40.

Other mounting bolt patterns are available. For further details please contact sales offices at Italvibras.

The technical data and models listed in this catalogue are not binding. Italvibras reserves the right to modify them without prior notice.

Certifications



Compliance with the applicable European Union directives.



Standard CAN/CSA – C22.2, N°100-95, Certificate n° LR 100948
Class 4211 01 - Motors and generators
UL 1004-1 – Rotating Electrical Machines – General Requirements
Class II Div.2, Groups FG (T3B)



II2D (2014/34/UE)
Ex tD A21 T...°C IP66 (Ex tb IIIC T...°C Db)
EN 60079-0
EN 60079-31



Ex tD A21 T...°C IP66 (Ex tb IIIC T...°C Db)
IEC 60079-0
IEC 60079-31



Version MVSI-F available on request
Class II Div.1, Groups EFG
Standard CAN/CSA – C22.2, UL 1004-1



Version MVSI-C available on request
Class I Div.2, Groups ABCD
Standard CAN/CSA – C22.2

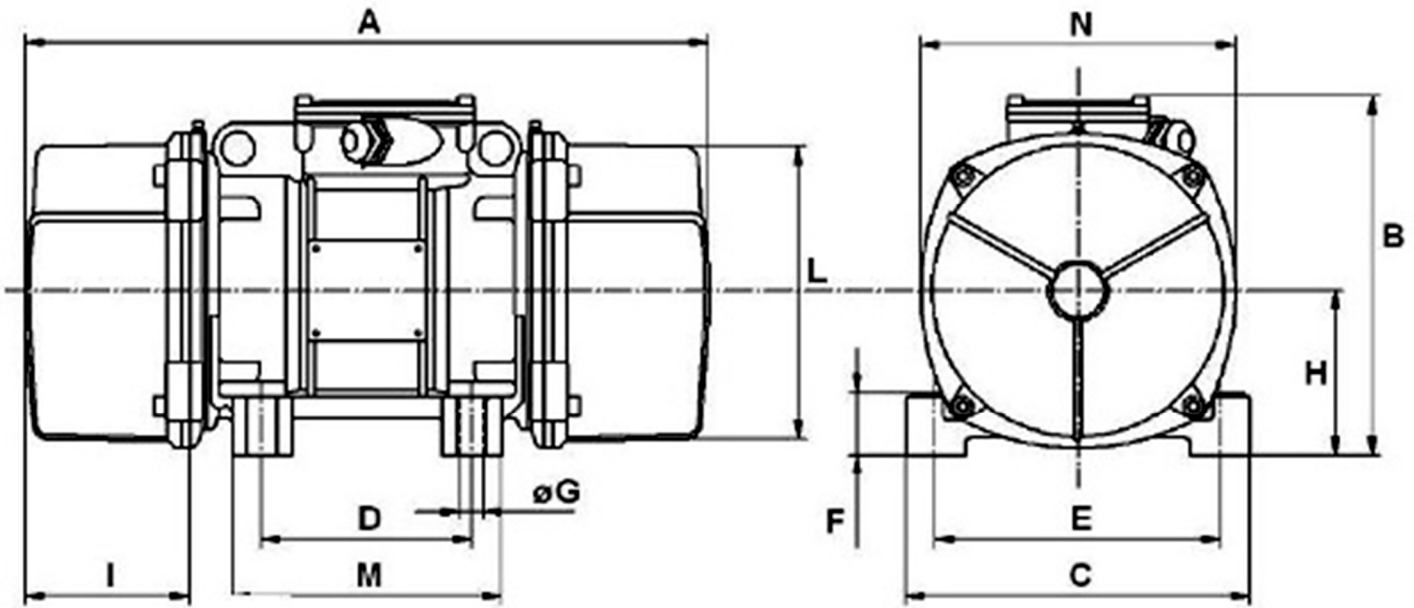


Certification for Eurasian Customs Union
N° TC N RU Д-IT.АЛ33.В.02527
N° TC RU C-IT.ГБ08.В.02190

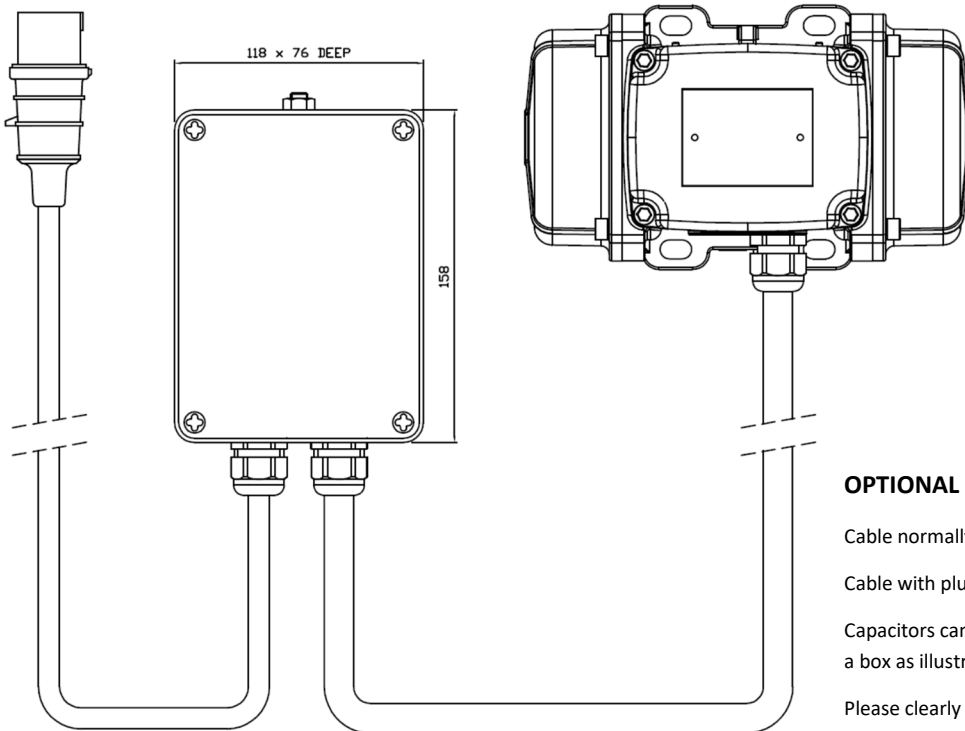


KOSHA Korea
Certificate n° 11-AVG BO-0359
Ex tD A21 IP66

DIMENSIONS



4 Hole Mounting Fig. A



OPTIONAL EXTRAS

- Cable normally 2 mtrs
- Cable with plug normally 10 mtrs
- Capacitors can be supplied loose or mounted in a box as illustrated.
- Please clearly state on order your requirements

Vibrator with Capacitor Box refer to **TM0183** for Wiring Diagrams

NB MVSI 15/550 & MVSI 15/700 115 Volt should be used with caution and wiring should be expertly engineered

Ia/In Ratio between start up current and maximum current

* Working Moment=2 x Static Moment

**Slot

◇ Dual μF Capacitor Start / Capacitor Run on 115v MVSI 15/550 & MVSI 15/700,; 240v MVSI3/700, MVSI 15/400, MVSI 15/550 & MVSI 15/700

Build S02 Features: on small Vibrators press fit flange, on large Vibrators bolted, some encapsulated

Build S08 Features: Ball Bearings, Aluminium Housing, Screw Fit Flange

Build S90 Features: Different design end cap bolted through bearing housing into body



PERFORMANCE

Part Number 50Hz Model	Capacitors	Frame Size	Mechanical Specification								Electrical Specification							
			Static Moment		Centrifugal Force				Weight		Max Input Power		Max Current		Capacitor μ F Single capacitor for Start and Run unless stated		Ia/In	
			kgmm		kg		kN		Kgs		Watts		Amps					
			50	60	50	60	50	60	50	60	50	60	50	60	50	60	50	60
MVSI 3 SO2 50Hz		220/240v 1Ph 50Hz/240v/1Ph 60Hz 2 Poles 3000/3600 RPM																
MVSI3/100.1PH.230.LC	Loose																	
MVSI3/100.1PH.230.012473	Boxed	00	12.0	12.0	121	174	1.19	1.71	5.60	5.60	165	165	0.75	10	2.68			
MVSI3/100.1PH.230.012472	Boxed																	
MVSI3/200.1PH.230.LC	Loose																	
MVSI3/200.1PH.230.012473	Boxed	01	21.0	15.0	211	218	2.07	2.14	6.40	6.20	165	165	0.75	10	2.68			
MVSI3/200.1PH.230.012472	Boxed																	
MVSI3/300.1PH.230.LC	Loose																	
MVSI3/300.1PH.230.012473	Boxed	10	30.1	20.4	304	297	2.98	2.91	9.70	9.20	280	280	1.25	16	3.47			
MVSI3/300.1PH.230.012472	Boxed																	
MVSI3/500.1PH.230.LC	Loose																	
MVSI3/500.1PH.230.012473	Boxed	20	49.9	32.4	503	471	4.93	4.62	14.8	13.80	500	500	2.30	12.5	4.21			
MVSI3/500.1PH.230.012472	Boxed																	
MVSI3/700.1PH.230.LC	Loose	20	72.8	-	734	-	7.19	-	15.1	-	500	500	2.30	32.0 (12+20) Cap Start 32 μ F Cap Run 12 μ F	4.21			
MVSI3/700.1PH.230.012473	Boxed	Not available																
MVSI3/700.1PH.230.012472	Boxed	Not available																
MVSI3/800.1PH.230.LC	Loose																	
MVSI3/800.1PH.230.012473	Boxed	30	78.0	52.0	785	754	7.70	7.40	16.8	15.90	700	700	3.25	25.0	3.83			
MVSI3/800.1PH.230.012472	Boxed																	
MVSI 3 SO2 50Hz		110/115v 1Ph 50Hz/115v 1Ph 60Hz 2 Poles 3000/3600 RPM																
MVSI3/100.1PH.115.LC	Loose																	
MVSI3/100.1PH.115.012473	Boxed	00	12.0	12.0	121	174	1.19	1.71	5.60	5.60	165	165	1.52	28.0	2.20			
MVSI3/100.1PH.115.012472	Boxed																	
MVSI3/200.1PH.115.LC	Loose																	
MVSI3/200.1PH.115.012473	Boxed	01	21.0	15.0	211	218	2.07	2.14	6.40	6.20	165	165	1.52	28.0	2.24			
MVSI3/200.1PH.115.012472	Boxed																	
MVSI3/300.1PH.115.LC	Loose																	
MVSI3/300.1PH.115.012473	Boxed	10	30.1	20.4	304	297	2.98	2.91	9.70	9.20	280	280	2.40	25.0	3.52			
MVSI3/300.1PH.115.012472	Boxed																	
MVSI3/500.1PH.115.LC	Loose																	
MVSI3/500.1PH.115.012473	Boxed	20	49.9	32.4	503	471	4.93	4.62	14.8	13.80	500	500	4.50	50.0	4.22			
MVSI3/500.1PH.115.012472	Boxed																	
MVSI3/700.1PH.115.LC	Loose																	
MVSI3/700.1PH.115.012473	Boxed	20	72.8	-	734	-	7.19	-	15.1	-	500	500	4.5	50.0	4.22			
MVSI3/700.1PH.115.012472	Boxed																	
MVSI3/800.1PH.115.LC	Loose																	
MVSI3/800.1PH.115.012473	Boxed	30	78.0	52.0	785	754	7.70	7.40	16.8	15.90	700	700	7.00	90.0	4.14			
MVSI3/800.1PH.115.012472	Boxed																	



DIMENSIONS

4 Hole Mounting Fig. A

Part Number 50Hz Model	Capacitors	Drawings	Fig.	A	B	C	D	E	F	G		H	I	L	M	N	Cable Entry Thread X 1.5
										Dia.	No						
MVSI 3 SO2 50Hz				220/240v 1Ph 50Hz/240v/1Ph/50Hz 2 Poles 3000/3600 RPM													
MVSI3/100.1PH.230.LC	Loose	600311	A	211	153	125	62-74**	106	24	9	4	61	46	103	100	117	M20
MVSI3/100.1PH.230.012473	Boxed	012473															
MVSI3/100.1PH.230.012472	Boxed	012472															
MVSI3/200.1PH.230.LC	Loose	600312	A	235	153	125	62-74**	106	24	9	4	61	58	103	100	117	M20
MVSI3/200.1PH.230.012473	Boxed	012473															
MVSI3/200.1PH.230.012472	Boxed	012472															
MVSI3/300.1PH.230.LC	Loose	600313	A	255	179	152	90	125	28	13	4	73	54	127	128	141	M20
MVSI3/300.1PH.230.012473	Boxed	012473															
MVSI3/300.1PH.230.012472	Boxed	012472															
MVSI3/500.1PH.230.LC	Loose	600314	A	288	203	167	105	140	30	13	4	82.5	65	145	140	160	M25
MVSI3/500.1PH.230.012473	Boxed	012473															
MVSI3/500.1PH.230.012472	Boxed	012472															
MVSI3/700.1PH.230.LC	Loose	600366	A	288	203	167	105	140	30	13	4	82.5	65	145	140	160	M25
MVSI3/700.1PH.230.012473	Boxed	012473															
MVSI3/700.1PH.230.012472	Boxed	012472															
Not available																	
MVSI3/800.1PH.230.LC	Loose	600381	A	307	210	205	120	170	45	17	4	91.5	51	168	160	178	M25
MVSI3/800.1PH.230.012473	Boxed	012473															
MVSI3/800.1PH.230.012472	Boxed	012472															
MVSI 3 S02 50Hz				110/115v 1Ph 50Hz/115v 1Ph 50Hz 2 Poles 3000/3600 RPM													
MVSI3/100.1PH.115.LC	Loose	600311	A	211	153	125	62-74	106	24	9	4	61	46	103	100	117	M20
MVSI3/100.1PH.115.012473	Boxed	012473															
MVSI3/100.1PH.115.012472	Boxed	012472															
MVSI3/200.1PH.115.LC	Loose	600312	A	235	153	125	62-74	106	24	9	4	61	58	103	100	117	M20
MVSI3/200.1PH.115.012473	Boxed	012473															
MVSI3/200.1PH.115.012472	Boxed	012472															
MVSI3/300.1PH.115.LC	Loose	600313	A	255	179	152	90	125	28	13	4	73	54	127	128	141	M20
MVSI3/300.1PH.115.012473	Boxed	012473															
MVSI3/300.1PH.115.012472	Boxed	012472															
MVSI3/500.1PH.115.LC	Loose	600314	A	288	203	167	105	140	30	13	4	82.5	65	145	140	160	M25
MVSI3/500.1PH.115.012473	Boxed	012473															
MVSI3/500.1PH.115.012472	Boxed	012472															
MVSI3/700.1PH.115.LC	Loose	600366	A	288	203	167	105	140	30	13	4	82.5	65	145	140	160	M25
MVSI3/700.1PH.115.012473	Boxed	012473															
MVSI3/700.1PH.115.012472	Boxed	012472															
MVSI3/800.1PH.115.LC	Loose	600381	A	307	210	205	120	170	45	17	4	91.5	51	168	160	178	M25
MVSI3/800.1PH.115.012473	Boxed	012473															
MVSI3/800.1PH.115.012472	Boxed	012472															

PERFORMANCE																			
Part Number 50Hz Model	Capacitors	Frame Size	Mechanical Specification									Electrical Specification							
			Static		Centrifugal Force				Weight			Max Input Power		Maximum		Capacitor μ F Single capacitor for Start and Run unless otherwise stated			Ia/In
			kgmm		kg		kN		Kgs			Watts		Amps					
			Hz	50	60	50	60	50	60	50	60	50Hz	60	50	60	50	60	50	60
MVSI 15 S02 50Hz		220/240v 1Ph 50Hz/240v 1Ph 60Hz 4 Poles 1500/1800RPM																	
MVSI 15/35.1PH.230.LC	Loose	00	12.0	12.0	30.2	43.5	0.30	0.43	5.60	5.60	90	90	0.43	3.15		1.20			
MVSI 15/35.1PH.230.012475	Boxed																		
MVSI 15/35.1PH.230.012474	Boxed																		
MVSI 15/80.1PH.230.LC	Loose	01	31.0	21.0	77.9	76.1	0.76	0.75	6.70	6.40	90	90	0.43	3.15		1.20			
MVSI 15/80.1PH.230.012475	Boxed																		
MVSI 15/80.1PH.230.012474	Boxed																		
MVSI 15/100.1PH.230.LC	Loose	01	38.9	31.0	97.9	112.0	0.96	1.10	7.10	6.70	90	90	0.43	3.15		1.20			
MVSI 15/100.1PH.230.012475	Boxed																		
MVSI 15/100.1PH.230.012474	Boxed																		
MVSI 15/200.1PH.230.LC	Loose	10	84.2	58.8	213	214.0	2.09	2.10	12.5	11.70	210	210	1.00	5.0		1.50			
MVSI 15/200.1PH.230.012475	Boxed																		
MVSI 15/200.1PH.230.012474	Boxed																		
MVSI 15/400.1PH.230.LC	Loose	20	163.0	113.0	412	411.0	4.04	4.03	19.0	18.2	240	240	1.20	32 12/20 Cap Start 32 μ f Cap Run 12 μ f		2.50			
MVSI 15/400.1PH.230.012475	Boxed		Not available																
MVSI 15/400.1PH.230.012474	Boxed		Not available																
MVSI 15/550.1PH.230.LC	Loose	20	219.0	163.0	552	592.0	5.42	5.81	20.4	19.0	240	240	1.20	32 12/20 Cap Start 32 μ f Cap Run 12 μ f		2.50			
MVSI 15/550.1PH.230.012475	Boxed		Not available																
MVSI 15/550.1PH.230.012474	Boxed		Not available																
MVSI 15/700.1PH.230.LC	Loose	30	286.0	209.0	720	760.0	7.06	7.46	27.5	26.2	450	450	2.15	96 16/80 Cap Start 96 μ f Cap Run 16 μ f		5.44			
MVSI 15/700.1PH.230.012475	Boxed		Not available																
MVSI 15/700.1PH.230.012474	Boxed		Not available																
MVSI 15 S02 50Hz		110/115v 1Ph 50/115v 1Ph 60Hz 4 Poles 1500/1800RPM																	
MVSI 15/35.1PH.115.LC	Loose	00	12.0	12.0	30.2	43.5	0.30	0.43	5.60	5.60	100	100	1.00	25		1.30			
MVSI 15/35.1PH.115.012475	Boxed																		
MVSI 15/35.1PH.115.012474	Boxed																		
MVSI 15/80.1PH.115.LC	Loose	01	31.0	21.0	77.9	76.1	0.76	0.75	6.70	6.40	100	100	1.00	25		1.30			
MVSI 15/80.1PH.115.012475	Boxed																		
MVSI 15/80.1PH.115.012474	Boxed																		
MVSI 15/100.1PH.115.LC	Loose	01	38.9	31.0	97.9	112.0	0.96	1.10	7.10	6.70	100	100	1.00	25		1.30			
MVSI 15/100.1PH.115.012475	Boxed																		
MVSI 15/100.1PH.115.012474	Boxed																		
MVSI 15/200.1PH.115.LC	Loose	10	84.2	58.8	213	214.0	2.09	2.10	12.5	11.70	230	230	2.00	25		1.85			
MVSI 15/200.1PH.115.012475	Boxed																		
MVSI 15/200.1PH.115.012474	Boxed																		
MVSI 15/400.1PH.115.LC	Loose	20	163.0	113.0	412	411.0	4.04	4.03	19.0	18.2	320	320	2.80	35		2.21			
MVSI 15/400.1PH.115.012475	Boxed																		
MVSI 15/400.1PH.115.012474	Boxed																		
MVSI 15/550.1PH.115.LC	Loose	20	219.0	163.0	552	592.0	5.42	5.81	20.4	19.0	320	320	2.80	45 35/10 Cap Start 45 μ f Cap Run 35 μ f		2.21			
MVSI 15/550.1PH.115.012475	Boxed		Not available																
MVSI 15/550.1PH.115.012474	Boxed		Not available																
MVSI 15/700.1PH.115.LC	Loose	30	286.0	209.0	720	760.0	7.06	7.46	27.5	26.2	550	550	5.15	160 40/120 Cap Start 160 μ f Cap Run 40 μ f		3.63			
MVSI 15/700.1PH.115.012475	Boxed		Not available																
MVSI 15/700.1PH.115.012474	Boxed		Not available																



DIMENSIONS

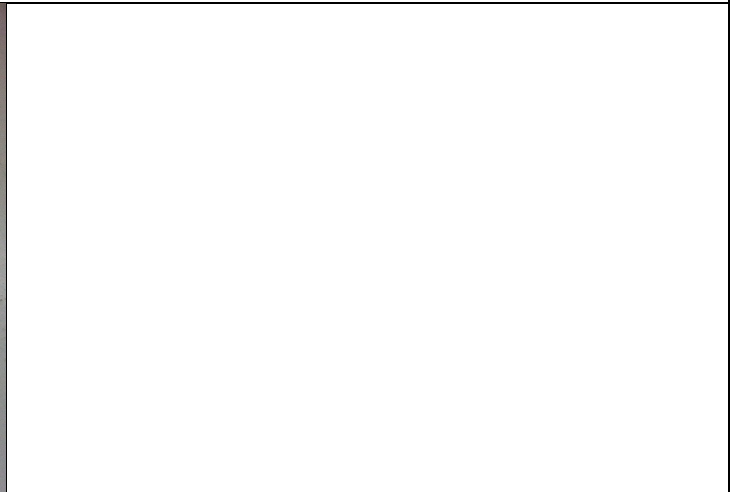
4 Hole Mounting Fig. A

Part Number 50Hz Model	Capacitors	Drawings	Fig	A	B	C	D	E	F	G		H	I	L	M	N	Cable Entry thread X 1.5
										Dia	No						
MVSI 15 S02 50Hz	220/240v 1Ph 50Hz/240v 3Ph 60Hz 4 Poles 1500/1800RPM																
MVSI 15/35.1PH.230.LC	Loose	601340	A	211	153	125	62-74	106	24	9	4	61	46	103	100	117	M20
MVSI 15/35.1PH.230.012475	Boxed	012475															
MVSI 15/35.1PH.230.012474	Boxed	012474															
MVSI 15/80.1PH.230.LC	Loose	601341	A	235	153	125	62-74	106	24	9	4	61	58	103	100	117	M20
MVSI 15/80.1PH.230.012475	Boxed	012475															
MVSI 15/80.1PH.230..012474	Boxed	012474															
MVSI 15/100.1PH230.LC	Loose	601366	A	249	153	125	62-74	106	24	9	4	61	65	103	100	117	M20
MVSI 15/100.1PH.230.012475	Boxed	012475															
MVSI 15/100.1PH.230.012474	Boxed	012474															
MVSI 15/200.1PH.230.LC	Loose	601367	A	301	179	152	90	125	28	13	4	73	77	127	128	141	M20
MVSI 15/200.1PH.230.012475	Boxed	012475															
MVSI 15/200.1PH.230.012474	Boxed	012474															
MVSI 15/400.1PH.230.LC	Loose	601372	A	344	203	167	105	140	30	13	4	82.5	93	145	140	160	M25
MVSI 15/400.1PH.230.012475	Boxed	012475															
MVSI 15/400.1PH.230.012474	Boxed	012474															
MVSI 15/550.1PH.230.LC	Loose	601373	A	386	203	167	105	140	30	13	4	82.5	114	145	140	160	M25
MVSI 15/550.1PH.230.012475	Boxed	012475															
MVSI 15/550.1PH.230.012474	Boxed	012474															
MVSI 15/700.1PH.230.LC	Loose	601408	A	381	210	205	120	170	45	17	4	91.5	88	168	160	178	M25
MVSI 15/700.1PH.230.012475	Boxed	012475															
MVSI 15/700.1PH.230.012474	Boxed	012474															
MVSI 15 S02 50Hz	110/115v 1Ph 50/115v 1Ph 60Hz 4 Poles 1500/1800RPM																
MVSI 15/35.1PH.115.LC	Loose	601340	A	211	153	125	62-74	106	24	9	4	61	46	103	100	117	M20
MVSI 15/35.1PH.115.012475	Boxed	012475															
MVSI 15/35.1PH.115.012474	Boxed	012474															
MVSI 15/80.1PH.115.LC	Loose	601341	A	235	153	125	62-74	106	24	9	4	61	58	103	100	117	M20
MVSI 15/80.1PH.115.012475	Boxed	012475															
MVSI 15/80.1PH.115..012474	Boxed	012474															
MVSI 15/100.1PH.115.LC	Loose	601366	A	249	153	125	62-74	106	24	9	4	61	65	103	100	117	M20
MVSI 15/100.1PH.115.012475	Boxed	012475															
MVSI 15/100.1PH.115.012474	Boxed	012474															
MVSI 15/200.1PH.115.LC	Loose	601367	A	301	179	152	90	125	28	13	4	73	77	127	128	141	M20
MVSI 15/200.1PH.115.012475	Boxed	012475															
MVSI 15/200.1PH.115.012474	Boxed	012474															
MVSI 15/400.1PH.115.LC	Loose	601372	A	344	203	167	105	140	30	13	4	82.5	93	145	140	160	M25
MVSI 15/400.1PH.115.012475	Boxed	012475															
MVSI 15/400.1PH.115.012474	Boxed	012474															
MVSI 15/550.1PH.115.LC	Loose	601373	A	386	203	167	105	140	30	13	4	82.5	114	145	140	160	M25
MVSI 15/550.1PH.115.012475	Boxed	012475															
MVSI 15/550.1PH.115.012474	Boxed	012474															
MVSI 15/700.1PH.115.LC	Loose	601408	A	381	210	205	120	170	45	17	4	91.5	88	168	160	178	M25
MVSI 15/700.1PH.115.012475	Boxed	012475															
MVSI 15/700.1PH.115.012474	Boxed	012474															

MVSI External Vibrator Systems



MVSI External Vibrators-Single Phase
Leaflet L0001/L0019/EN019



MVSI External Vibrators-Three Phase
Leaflet L0019/EN019



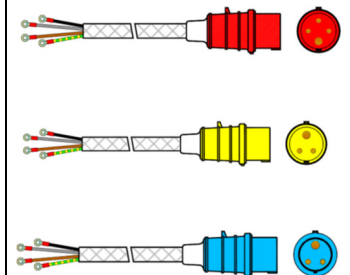
VSC Control Unit
Leaflet L0105



Direct on Line Starters
Leaflet L0101



ODE Control
Leaflet L0102



Cables, Wires and Plugs
Leaflet L0180

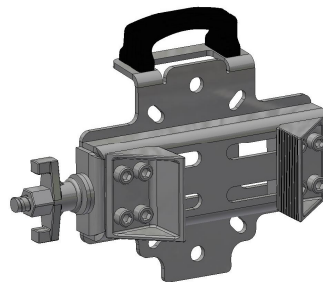


**Should always be used with
Formwork Clamps**

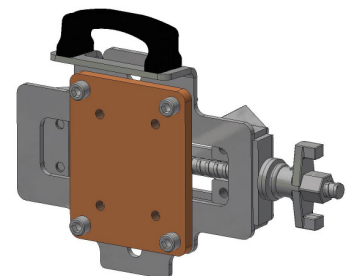
Safety Wires
Leaflet L0141



Bolt Kits and Fixing Vibrators
Leaflet L0181



Formwork Clamp 088001



Formwork Clamp 088004

■ Germany

Italvibras Deutschland GmbH
Carl-Leverkus-Strasse 20
40764 Langenfeld
tel. +49 221 936800
fax +49 221 9368010
info@italvibrasdeutschland.com
www.italvibrasdeutschland.com

■ France

Italvibras France Sas
Zac Garosud - Toucan 34
256 Rue du Commandant Massoud
34070 Montpellier - France
tel. +33 0467 275400
fax +33 0467 474830
italvibrasfrance@italvibrasfrance.com
www.italvibrasfrance.com

■ Spain

Italvibras Iberica S.L.
Pol. Ind. La Nava, calle G, nº12
31300 Tafalla (Navarra)
tel.: ++ 34 948 71 23 47
info@italvibrasiberica.com
www.italvibrasiberica.com

■ UK

Vibratechniques Ltd.
20 Cecil Pashley Way, Shoreham Airport,
Shoreham by Sea, Sussex.
BN43 5FF.
tel: +44 01273 430977
fax: +44 01273 430978
sales@vibtec.com
www.vibtec.com

■ USA

Italvibras USA Inc.
1940 Vans Way Princeton, IL 61356
tel. +1 815-872-1350
fax +1 866-337-2693
sales@italvibrasusa.com
www.italvibrasusa.com

Italvibras USA Inc.
2100 Conner Road Suite 200
Hebron, KY 41048
tel. +1 859-203-3222
fax +1 866-337-2693
sales@italvibrasusa.com
www.italvibrasusa.com

■ Australia

Italvibras Australia Pty Ltd.
Unit 2, 64 Baile Road
tel: +61 8 6559 7470
fax: +61 8 6230 4977
sales@italvibrasaustralia.com
www.italvibrasaustralia.com



Italvibras SpA
Via Ghiarola Nuova, 22/26
I-41042 Fiorano Modenese MO
Tel. +39 0536 804634
Fax +39 0536 804720
italvibras@italvibras.it
www.italvibras.it



Vibratechniques Ltd.
20 Cecil Pashley Way, Shoreham Airport,
Shoreham by Sea, Sussex.
BN43 5FF.
tel: +44 01273 430977
fax: +44 01273 430978
sales@vibtec.com
www.vibtec.com