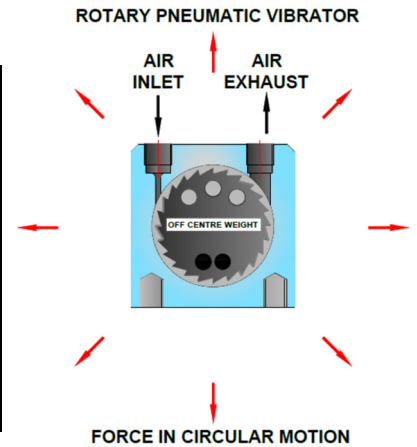
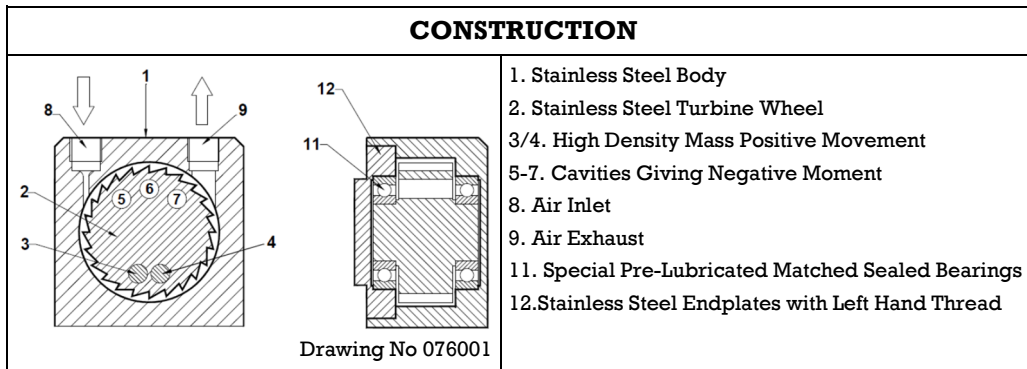


GT/RF STAINLESS STEEL PNEUMATIC TURBINE VIBRATORS (European Specification*)



Stainless Steel
Rotary Vibrator
No Lubrication
Force 583 N to 4900 N
Suitable for temperature up to -40°C to 120°C
Noise level 60-70 dB(a) with silencer fitted

On request can be supplied with ATEX certification to ATEX 2014/34/EU  II 2 G & D Zone 1, 2 & 21, 22



PERFORMANCE DATA															
Models	Frequency V.P.M.			Centrifugal Force						Air Consumption / Minute					
	2 Bar 29 PSI	4 Bar 58 PSI	6 Bar 87 PSI	2 Bar N	29 PSI lbs	4 Bar N	58 PSI lbs	6 Bar N	87 PSI lbs	2 Bar Litr	29 PSI CF	4 Bar Litr	58 PSI CF	6 Bar Litr	87 PSI CF
GTRF available to special order only- no Mounting Plate															
GT10RF	27000	32000	37000	750	168	1350	303	2100	472	46	1.6	80	2.8	112	3.9
GT16RF	20000	23000	27500	1700	382	2500	562	3700	831	120	4.2	200	7.0	290	10.2
GT25RF	14000	17000	19500	2500	562	4150	932	5700	1281	185	6.6	325	11.4	455	15.9
GTS-RF available to special order only- no Mounting Plate, lower frequency than GTRF model															
GT10S-RF	17000	23000	25000	650	146	1350	303	1950	438	46	1.6	80	2.8	112	3.9
GT16S-RF	11500	15500	17000	1100	248	1900	427	2700	607	120	4.2	200	7.0	290	10.2
GT25S-RF	8500	11000	13000	2250	506	3600	809	4900	1102	185	6.5	325	11.4	455	16.1
Data obtained on a heavy laboratory test block. Frequency and force will decrease on a less rigid mounting while the noise level will increase.															
* For UK Specification see leaflet GTSS L1003															

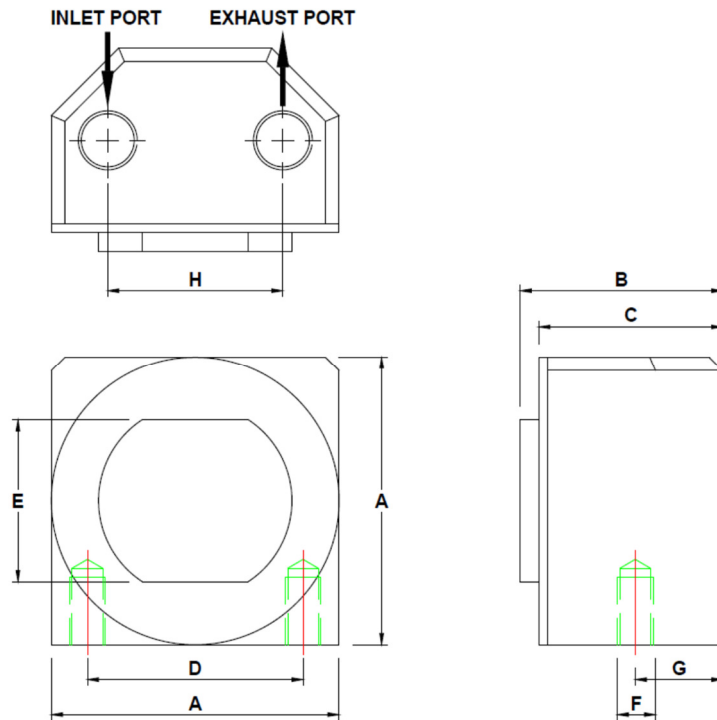
VIBRATECHNIQUES LTD

20 Cecil Pashley Way, Shoreham Airport, Shoreham by Sea, West Sussex, BN43 5FF

Tel: +44 (0)1273 430977 Fax: +44 (0)1273 430978 Email: sales@vibtec.com Web: www.vibtec.com

GT/RF STAINLESS STEEL PNEUMATIC TURBINE VIBRATORS (European Specification*)

DIMENSIONS



Drawing Number 0760

GTRF (EX) & GTS-RF (EX) Model

Model	A mm	B mm	C mm	D mm	E mm	F mm	G mm	Inlet Port	Ex Port	Weight Kgs
GT10RF & GT10S-RF	49	38	32	36	27	M6	16.0	1/8" BSP	1/8" BSP	0.52
GT16RF & GT16S-RF	64	45	39	48	36	M8	19.5	1/4" BSP	1/4" BSP	1.00
GT25RF & GT25-RF	78	55	49	60	60	M10	25.5	1/4" BSP	1/4" BSP	1.81

* For UK Specification see leaflet GTSS L1003

<p>Drawing 076011</p>	<p>We can also supply all these items:</p>			
<p>For Technical Advice on Filters, Hoses and Regulators ask for Technical Manual TM1390.</p>	<p>Filter Regulators and Lubricators Leaflet L1100</p>	<p>Exhausts & Fittings Leaflet L1102</p>	<p>3/2 Pneumatic Valves Leaflet L1103</p>	<p>3/2 Pneumatic Solenoid Valves Leaflet L1104</p>

VIBRATECHNIQUES LTD

20 Cecil Pashley Way, Shoreham Airport, Shoreham by Sea, West Sussex, BN43 5FF

Tel: +44 (0)1273 430977 Fax: +44 (0)1273 430978 Email: sales@vibtec.com Web: www.vibtec.com