



Aluminium Body with Painted Finish

Anodised Finish available*

Rotary Vibrator

2 Sets of mounting holes

Frequency / Force adjustable by air pressure

All Models suitable for temperature up to 100°C

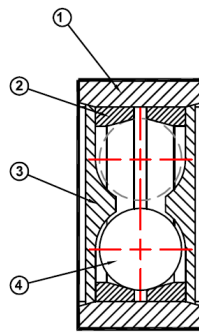
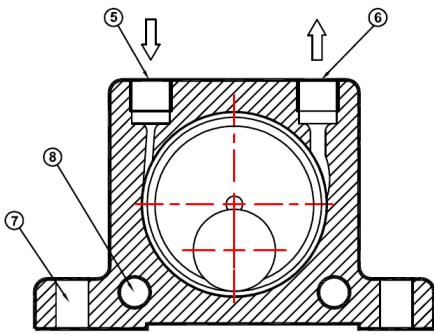
High Temperature Model K20HT to K36HT Max Temperature 150°C *

Noise level 75-95 dB(a) with silencer fitted

Force 130 N to 4050 N

On request can be supplied with ATEX certification to ATEX 2014/34/EU  II 2 G & D Zone 1, 2 & 21, 22

CONSTRUCTION



Drawing No U/7001

1. Extruded aluminium alloy body
2. Hardened ground steel alloy races
3. Nylon Endplates
4. Hardened lapped ball
5. Air Inlet
6. Air exhaust
7. Base mounting holes
8. Lateral Mounting

PERFORMANCE DATA

| Models | | | Frequency V.P.M. | | | Centrifugal Force | | | | | | Air Consumption / Minute | | | | | |
|------------------|-----------|-------------|------------------|--------|--------|-------------------|--------|-------|--------|-------|--------|--------------------------|--------|-------|--------|-------|--------|
| Standard Painted | Anodise * | High Temp * | 2 Bar | 4 Bar | 6 Bar | 2 Bar | 29 PSI | 4 Bar | 58 PSI | 6 Bar | 87 PSI | 2 Bar | 29 PSI | 4 Bar | 58 PSI | 6 Bar | 87 PSI |
| | | | 29 PSI | 58 PSI | 87 PSI | N | lbs | N | lbs | N | lbs | litr | CF | litr | CF | litr | CF |
| K08 | K08A | - | 25500 | 31000 | 35000 | 130 | 29 | 260 | 58 | 360 | 81 | 83 | 2.9 | 145 | 5.1 | 195 | 6.9 |
| K10 | K10A | - | 22500 | 28000 | 34000 | 250 | 56 | 470 | 106 | 710 | 160 | 92 | 3.2 | 150 | 5.3 | 200 | 7.1 |
| K13 | - | - | 15000 | 18000 | 22500 | 320 | 72 | 550 | 124 | 870 | 196 | 94 | 3.3 | 158 | 5.6 | 225 | 7.9 |
| K16 | - | - | 13000 | 17000 | 19500 | 450 | 101 | 800 | 180 | 1100 | 248 | 122 | 4.3 | 200 | 7.1 | 280 | 9.9 |
| K20 | - | K20HT | 10500 | 14500 | 16500 | 720 | 162 | 1220 | 275 | 1720 | 387 | 130 | 4.6 | 230 | 8.1 | 340 | 12.0 |
| K25 | - | K25HT | 9200 | 12200 | 14000 | 930 | 209 | 1570 | 353 | 2050 | 461 | 160 | 5.6 | 290 | 10.2 | 425 | 15.0 |
| K30 | - | K30HT | 7800 | 9700 | 12500 | 1510 | 340 | 2470 | 556 | 3210 | 722 | 215 | 7.6 | 375 | 13.2 | 570 | 20.0 |
| K36 | - | K36HT | 7300 | 9000 | 10000 | 2060 | 464 | 3150 | 709 | 4050 | 911 | 260 | 9.2 | 475 | 16.8 | 675 | 24.0 |

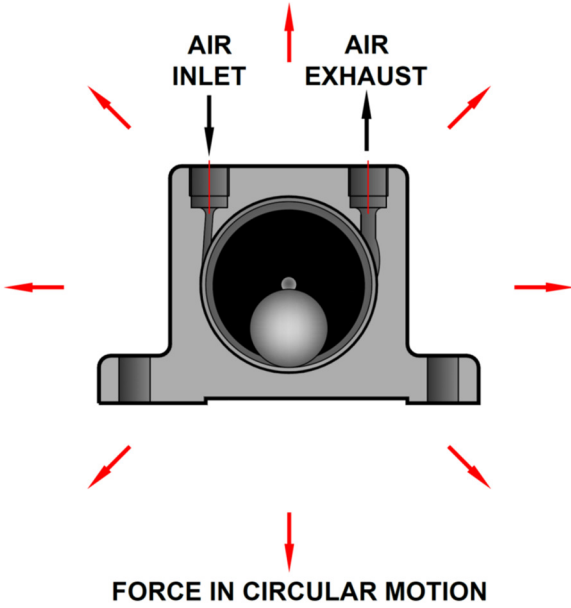
* Anodised and High Temperature Models special Build

VIBRATECHNIQUES LTD

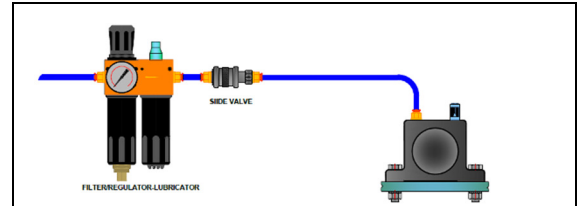
20 Cecil Pashley Way, Shoreham Airport, Shoreham by Sea, West Sussex, BN43 5FF

Tel: +44 (0)1273 430977 Fax: +44 (0)1273 430978 Email: sales@vibtec.com Web: www.vibtec.com

ROTARY PNEUMATIC VIBRATOR

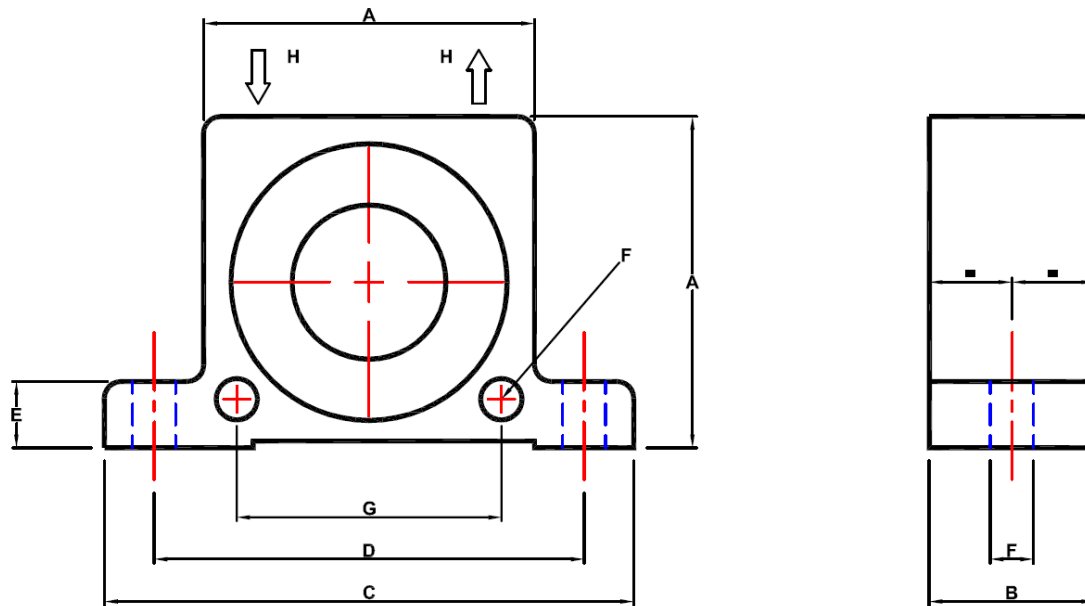


Standard Units K8 to K36 with nylon endplates
Standard Units Max Temperature 100 °C
High Temperature Units K20HT to K36HT 150 °C



For Technical Advice on Filters, Hoses and Regulators ask for Technical Manual TM1390

DIMENSIONS



Drawing No 077002

| Models | | | A | | B | | C | | D | | E | | F | | G | | H | Weight | |
|------------------|------------|-------------|-----|------|----|------|-----|------|-----|------|----|------|----|------|----|------|------|--------|------|
| Standard Painted | Anodised * | High Temp * | mm | inch | mm | inch | mm | inch | mm | inch | mm | inch | mm | inch | mm | inch | BSP | kg | lbs |
| K08 | K08A | - | 50 | 1.97 | 20 | 0.79 | 86 | 3.38 | 68 | 2.68 | 12 | 0.47 | 7 | 0.27 | 40 | 1.57 | 1/4" | .130 | .29 |
| K10 | K10A | - | 50 | 1.97 | 20 | 0.79 | 86 | 3.38 | 68 | 2.68 | 12 | 0.47 | 7 | 0.27 | 40 | 1.57 | 1/4" | .130 | .29 |
| K13 | - | - | 65 | 2.56 | 24 | 0.94 | 113 | 4.45 | 90 | 3.54 | 16 | 0.63 | 9 | 0.35 | 50 | 1.97 | 1/4" | .260 | .57 |
| K16 | - | - | 65 | 2.56 | 27 | 1.06 | 113 | 4.45 | 90 | 3.54 | 16 | 0.63 | 9 | 0.35 | 50 | 1.97 | 1/4" | .300 | .66 |
| K20 | - | K20HT | 80 | 3.15 | 33 | 1.30 | 128 | 5.04 | 104 | 4.09 | 16 | 0.63 | 9 | 0.35 | 60 | 2.36 | 1/4" | .530 | 1.17 |
| K25 | - | K25HT | 80 | 3.15 | 38 | 1.50 | 128 | 5.04 | 104 | 4.09 | 16 | 0.63 | 9 | 0.35 | 60 | 2.36 | 1/4" | .630 | 1.39 |
| K30 | - | K30HT | 100 | 3.94 | 44 | 1.73 | 160 | 6.30 | 130 | 5.12 | 20 | 0.79 | 11 | 0.43 | 80 | 3.15 | 3/8" | 1.130 | 2.49 |
| K36 | - | K36HT | 100 | 3.94 | 50 | 1.97 | 160 | 6.30 | 130 | 5.12 | 20 | 0.79 | 11 | 0.43 | 80 | 3.15 | 3/8" | 1.340 | 2.95 |

Data obtained on a heavy laboratory test block. Frequency and force will decrease on a less rigid mounting while the noise level will increase.