



Anodized Aluminium Body

Rotary Vibration

Force from 600 N to 6060 N

Suitable for temperature up to 100°C

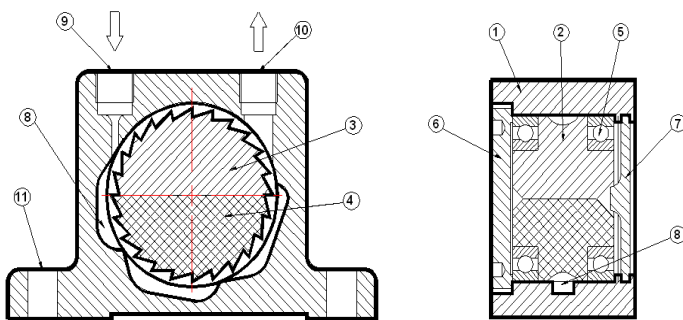
Noise level 65-80 dBA with silencer fitted

Frequency / force adjustable by air pressure

Available as High Pressure and Low Pressure units

On request can be supplied with ATEX certification to ATEX 2014/34/EU **Ex** II 2 G & D Zone 1, 2 & 21, 22

## CONSTRUCTION



Drawing No 080001

1. Hard anodised aluminium alloy body
2. Turbine rotor
3. Aluminium = Lightweight
4. Brass = Heavyweight
5. Ball Bearings
6. Plastic endplate with thread
7. Nylon Endplate
8. Accelerator grooves / air inlet
9. Air Exhaust
10. Base Mounting Holes

## PERFORMANCE DATA

Models	Frequency V.P.M.			Centrifugal Force						Air Consumption / Minute						Noise Level dB (a)
	2 Bar 29 PSI	4 Bar 58 PSI	6 Bar 87 PSI	2 Bar N	29 PSI lbs	4 Bar N	58 PSI lbs	6 Bar N	87 PSI lbs	2 Bar litre	29 PSI CF	4 Bar litre	58 PSI CF	6 Bar litre	87 PSI CF	
Standard	17000	21500	23000	700	157	1240	279	1710	385	67	2.4	115	4.0	165	5.8	69-80
T50-LP	11000	14500	16500	600	135	1020	230	1350	304	79	2.8	140	4.9	198	7.0	67-79
T65-LP	9500	13000	15000	770	173	1380	310	1800	405	89	3.1	157	5.5	236	8.3	74-80
T65-HP	8500	10500	12000	1300	293	2050	461	2600	585	108	3.8	193	6.8	290	10.2	69-79
T80-LP	9000	11500	13000	1840	414	2960	666	3790	853	150	5.3	260	9.2	385	13.6	67-76
T80-HP	-	9000	10500	-	-	3470	780	4740	1066	-	-	260	9.2	385	13.6	67-76
T100-HP	-	9000	10000	-	-	4800	1080	6060	1364	-	-	300	10.6	430	15.2	70-78

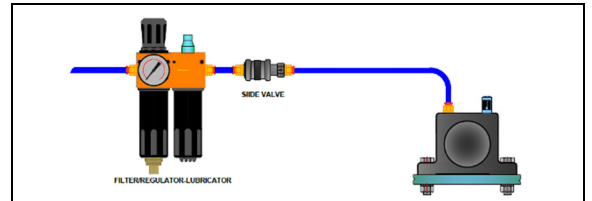
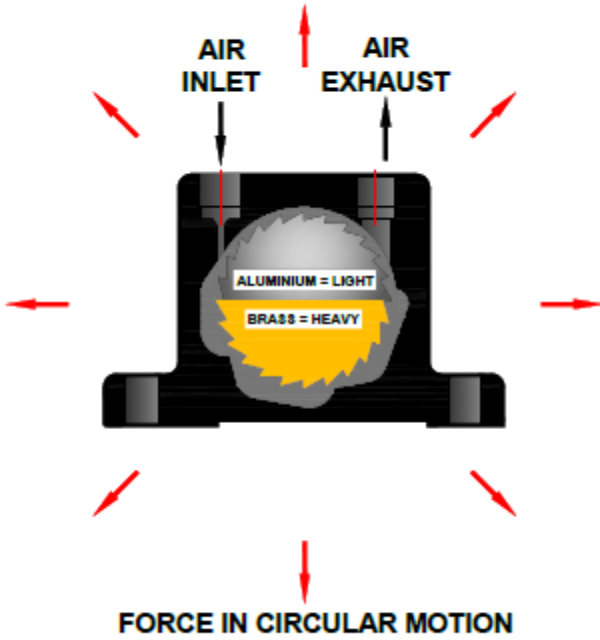
Data obtained on a heavy laboratory test block. Frequency and force will decrease on a less rigid mounting while the noise level will increase.

## VIBRATECHNIQUES LTD

20 Cecil Pashley Way, Shoreham Airport, Shoreham by Sea, West Sussex, BN43 5FF

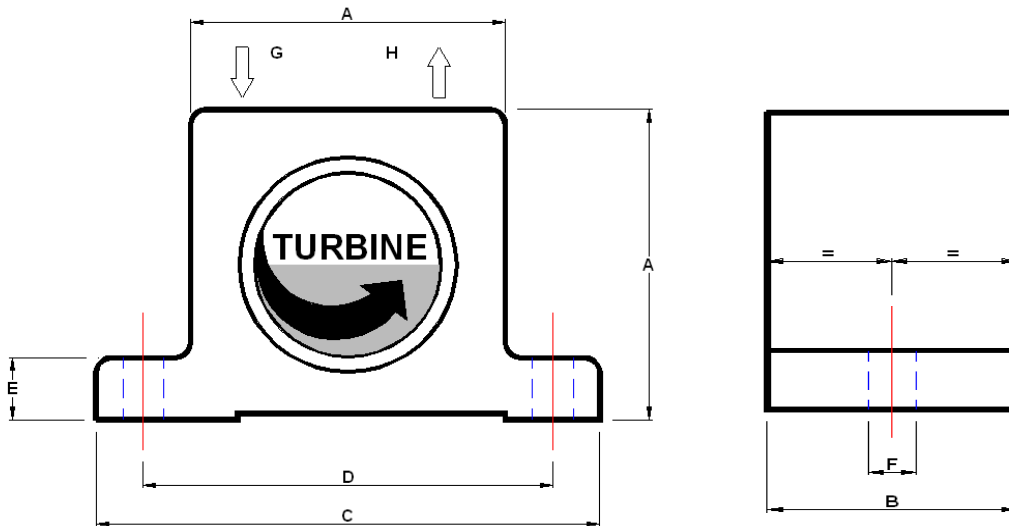
Tel: +44 (0)1273 430977 Fax: +44 (0)1273 430978 Email: sales@vibtec.com Web: www.vibtec.com

## ROTARY PNEUMATIC VIBRATOR



For Technical Advice on Filters, Hoses and Regulators ask for Technical Manual TM1390

## DIMENSIONS



Drawing No 080002

Models	A		B		C		D		E		F		G BSP	H BSP	Weight	
	mm	inch	mm	inch	mm	inch	mm	inch	mm	inch	mm	inch			kg	lbs
Standard																
T50-LP	50	1.97	46	1.81	86	3.38	68	2.68	12	0.47	7	0.27	1/8"	1/4"	.385	.86
T50-HP	50	1.97	60	2.36	86	3.38	68	2.68	12	0.47	7	0.27	1/8"	1/4"	.520	1.15
T65-LP	65	2.56	50	1.97	113	4.45	90	3.54	16	0.63	9	0.35	1/4"	1/4"	.735	1.60
T65-HP	65	2.56	64	2.52	113	4.45	90	3.54	16	0.63	9	0.35	1/4"	1/4"	.975	2.15
T80-LP	80	3.15	56	2.20	128	5.04	104	4.09	16	0.63	11	0.43	1/4"	3/8"	1.210	2.70
T80-HP	80	3.15	70	2.75	128	5.04	104	4.09	16	0.63	11	0.43	1/4"	3/8"	1.560	3.45
T100-HP	100	3.94	67	2.64	160	6.30	130	5.12	20	0.79	13	0.51	3/8"	3/8"	2.270	5.00