

Aluminium Body with Painted Finish

Rotary Vibrator

Frequency / Force adjustable by air pressure

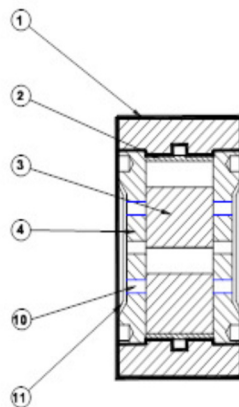
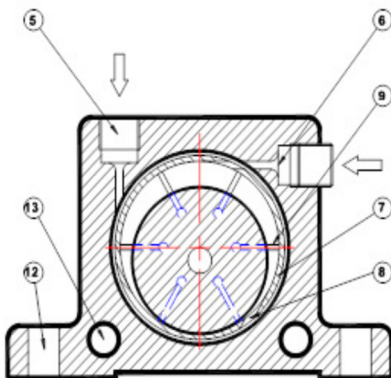
Suitable for temperature from -40°C up to 150°C

Noise level 75-100 dB(a)

Force 1070 N to 12500 N

On request can be supplied with ATEX certification to ATEX 2014/34/EU  II 2 G & D Zone 1, 2 & 21, 22

CONSTRUCTION



Drawing No 078001

1. Extruded Aluminium Alloy Casting
2. Cast Iron Liner
3. Steel Alloy Roller
4. Plastic End Plates
5. Vertical Air Inlet
6. Horizontal Air Inlet
7. Air Groove
8. Inlet Jets
9. Exhaust Ports
10. Exhaust Diffuser
11. Silencer Plate
12. Base Mounting Holes
13. Lateral Mounting Holes

PERFORMANCE DATA

Models	Frequency V.P.M.			Centrifugal Force						Air Consumption / Minute					
	2 Bar 29 PSI	4 Bar 58 PSI	6 Bar 87 PSI	2 Bar N	29 PSI lbs	4 Bar N	58 PSI lbs	6 Bar N	87 PSI lbs	2 Bar litr	29 PSI CF	4 Bar litr	58 PSI CF	6 Bar litr	87 PSI CF
R50	25000	35000	36000	1070	240	2920	657	4220	950	100	3.5	145	5.1	195	6.9
R65 *	19000	21000	26000	2730	614	4830	1089	6120	1377	200	7.0	300	10.6	400	14.1
R80 *	15500	18500	19000	3000	975	6090	1370	7450	1676	290	10.2	430	15.2	570	20.1
R100	11000	14000	16000	3750	844	6750	1519	8900	2003	370	13.0	550	19.4	730	25.8
R120	10000	11500	12500	8000	1800	10000	2250	12500	2812	500	17.6	730	25.8	970	34.2

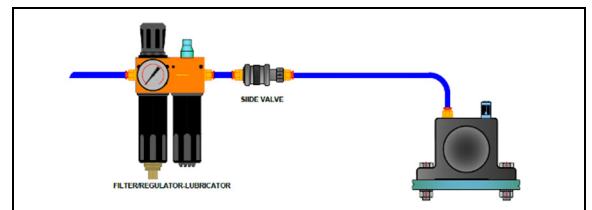
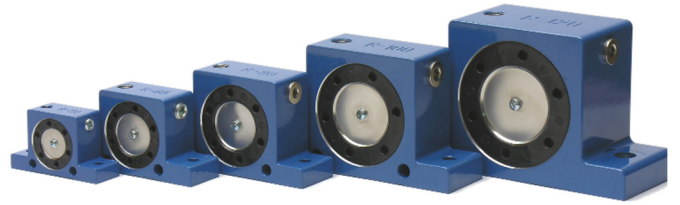
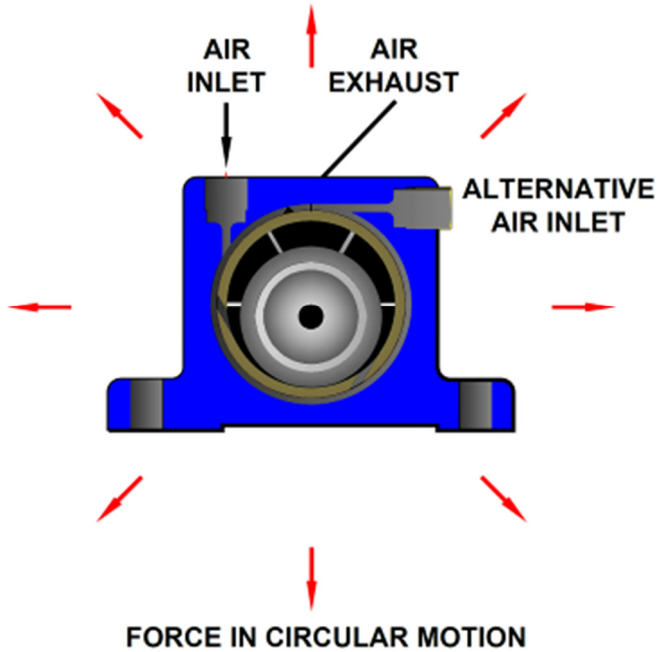
* R65S & R80S available with closed cap. R65C & R80C available with roller made of stainless steel and painted yellow

VIBRATECHNIQUES LTD

20 Cecil Pashley Way, Shoreham Airport, Shoreham by Sea, West Sussex, BN43 5FF

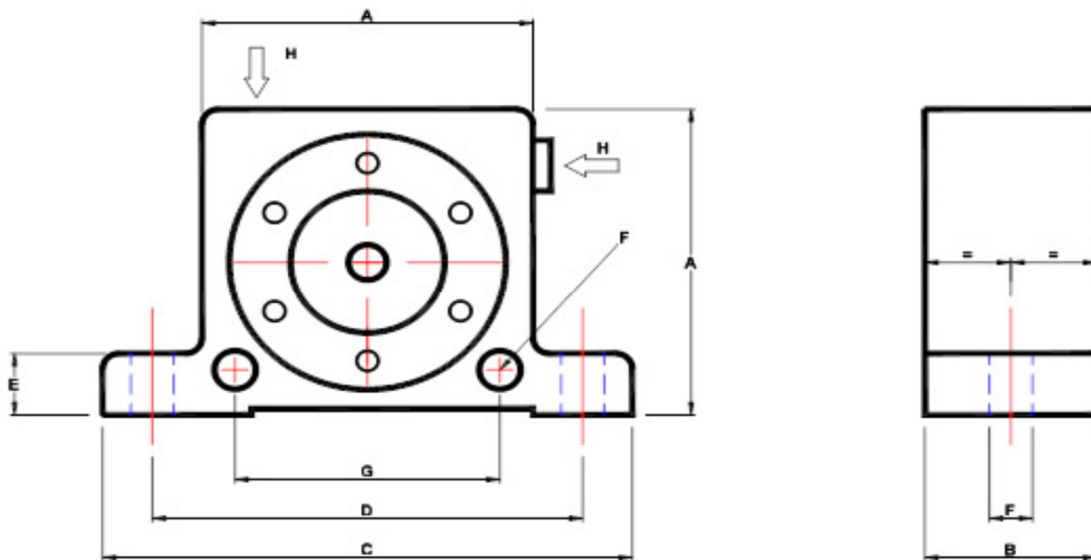
Tel: +44 (0)1273 430977 Fax: +44 (0)1273 430978 Email: sales@vibtec.com Web: www.vibtec.com

ROTARY PNEUMATIC VIBRATOR



For Technical Advice on Filters, Hoses and Regulators ask for Technical Manual TM1390

Drawing No DIMENSIONS



Drawing No 078002

Models	A		B		C		D		E		F		G		H	Weight	
	mm	inch	mm	inch	mm	inch	mm	inch	mm	inch	mm	inch	mm	inch		BSP	kg
R50	50	1.97	29	1.14	86	3.38	68	2.68	12	0.47	7	0.27	40	1.57	1/8"	.240	.53
R65 *	65	2.56	37	1.46	113	4.45	90	3.54	16	0.63	9	0.35	50	1.97	1/4"	.545	1.20
R80 *	80	3.15	43	1.69	128	5.04	104	4.09	16	0.63	9	0.35	60	2.36	1/4"	.950	2.10
R100	100	3.94	52	2.05	160	6.30	130	5.12	20	0.79	11	0.43	80	3.15	3/8"	1.810	4.00
R120	120	4.72	77	3.03	194	7.64	152	5.99	24	0.94	17	0.67	n/a	n/a	3/8"	4.260	9.40

Data obtained on a heavy laboratory test block. Frequency and force will decrease on a less rigid mounting while the noise level will increase.

* R65S & R80S available with closed cap. R65C & R80C available with roller made of stainless steel and painted yellow