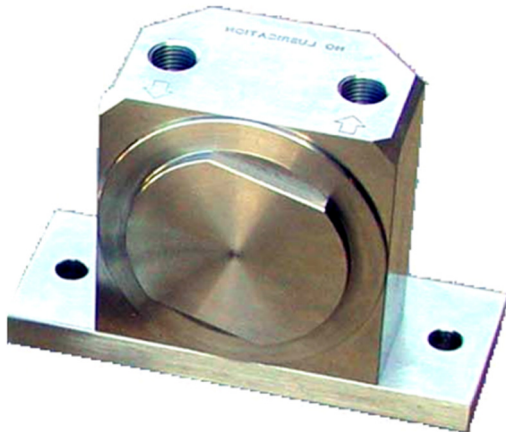


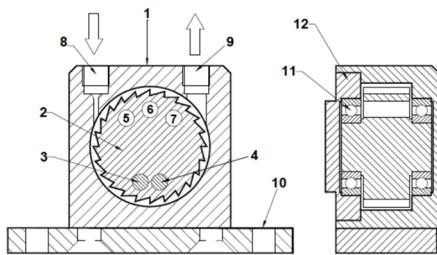
GT SS STAINLESS STEEL PNEUMATIC TURBINE VIBRATORS (UK/US Specification*)



Stainless Steel
Rotary Vibrator
No Lubrication required
Force 583 N to 4900 N
Suitable for temperature up to -40°C to 120°C
Noise level 60-70 dB(a) with silencer fitted

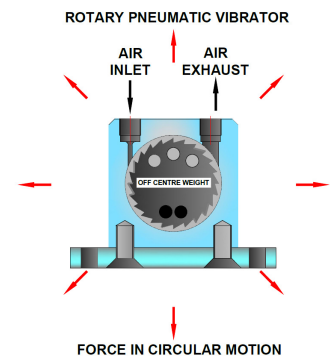
On request can be supplied with ATEX certification to ATEX 2014/34/EU  II 2 G & D Zone 1, 2 & 21, 22

CONSTRUCTION



Drawing No 076001

1. Stainless Steel Body
2. Stainless Steel Turbine Wheel
- 3/4. High Density Mass Positive Movement
- 5-7. Cavities Giving Negative Moment
8. Air Inlet
9. Air Exhaust
10. Base Mounting Holes
11. Special Pre-Lubricated Matched Sealed Bearings
12. Stainless Steel Endplates with Left Hand Thread



PERFORMANCE DATA

Models	Frequency V.P.M.			Centrifugal Force						Air Consumption / Minute					
	2 Bar 29 PSI	4 Bar 58 PSI	6 Bar 87 PSI	2 Bar N	29 PSI lbs	4 Bar N	58 PSI lbs	6 Bar N	87 PSI lbs	2 Bar Litr	29 PSI CF	4 Bar Litr	58 PSI CF	6 Bar Litr	87 PSI CF
GTSS Standard Model supplied with Mounting Plate															
GT10SS	27000	32000	37000	750	168	1350	302	2100	472	46	1.6	80	2.8	112	3.9
GT16SS	20000	23000	27500	1700	382	2500	562	3700	831	120	4.2	200	7.0	290	10.2
GT25SS	14000	17000	19500	2500	562	4150	932	5700	1281	185	6.6	325	11.4	455	16.0
GTS-SS available to special order only, supplied with Mounting Plate, lower frequency than GTSS model															
GT10S-SS	17000	23000	25000	650	146	1350	303	1950	438	46	1.6	80	2.8	112	3.9
GT16S-SS	11500	15500	17000	1100	248	1900	427	2700	607	120	4.2	200	7.0	290	10.2
GT25S-SS	8500	11000	13000	2250	506	3600	809	4900	1102	185	6.5	325	11.4	455	16.1

Data obtained on a heavy laboratory test block. Frequency and force will decrease on a less rigid mounting while the noise level will increase.

* European Specification available to special order without Foot Mounting Plate see Leaflet L1007

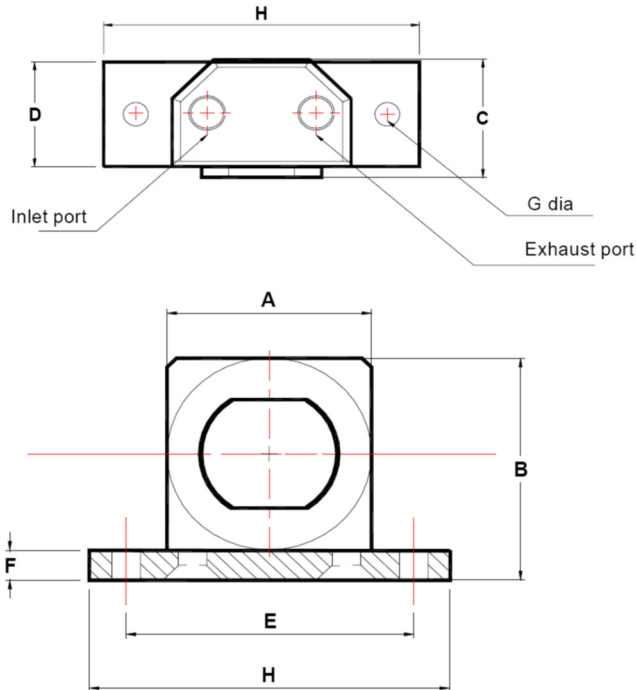
VIBRATECHNIQUES LTD

20 Cecil Pashley Way, Shoreham Airport, Shoreham by Sea, West Sussex, BN43 5FF

Tel: +44 (0)1273 430977 Fax: +44 (0)1273 430978 Email: sales@vibtec.com Web: www.vibtec.com

GT SS STAINLESS STEEL PNEUMATIC TURBINE VIBRATORS (UK/US Specification*)

DIMENSIONS



Drawing No 076

GTSS (EX) & GTS-SS (EX) Model

Model	Drawing Number	A mm	B mm	C mm	D mm	E mm	F mm	G Dia mm	H mm	Inlet Port	Ex Port	Weight Kgs
GT10SS & GT10S-SS	076005	49	55	38.1	30	68	6	7	86	1/8" BSP	1/8" BSP	0.625
GT16SS & GT16S-SS	076006	64	74	45.5	40	90	10	9	113	1/4" BSP	1/4" BSP	1.307
GT25SS & GT25S-SS	076007	78	88	55.5	60	104	10	11	128	1/4" BSP	1/4" BSP	2.284

* European Specification available to special order without Foot Mounting Plate see Leaflet L1007

We can also supply all these items:				
 Drawing 076011				
For Technical Advice on Filters, Hoses and Regulators ask for Technical Manual TM1390.	Filter Regulators and Lubricators Leaflet L1100	Exhausts & Fittings Leaflet L1102	3/2 Pneumatic Valves Leaflet L1103	3/2 Pneumatic Solenoid Valves Leaflet L1104

VIBRATECHNIQUES LTD

20 Cecil Pashley Way, Shoreham Airport, Shoreham by Sea, West Sussex, BN43 5FF

Tel: +44 (0)1273 430977 Fax: +44 (0)1273 430978 Email: sales@vibtec.com Web: www.vibtec.com