



Linear Vibration

Available with or without plate

Force 12.75 TO 41 kN

Frequency and Amplitude adjusted independently

Suitable for temperatures up to 80°C

Available as :

Continuous Impact

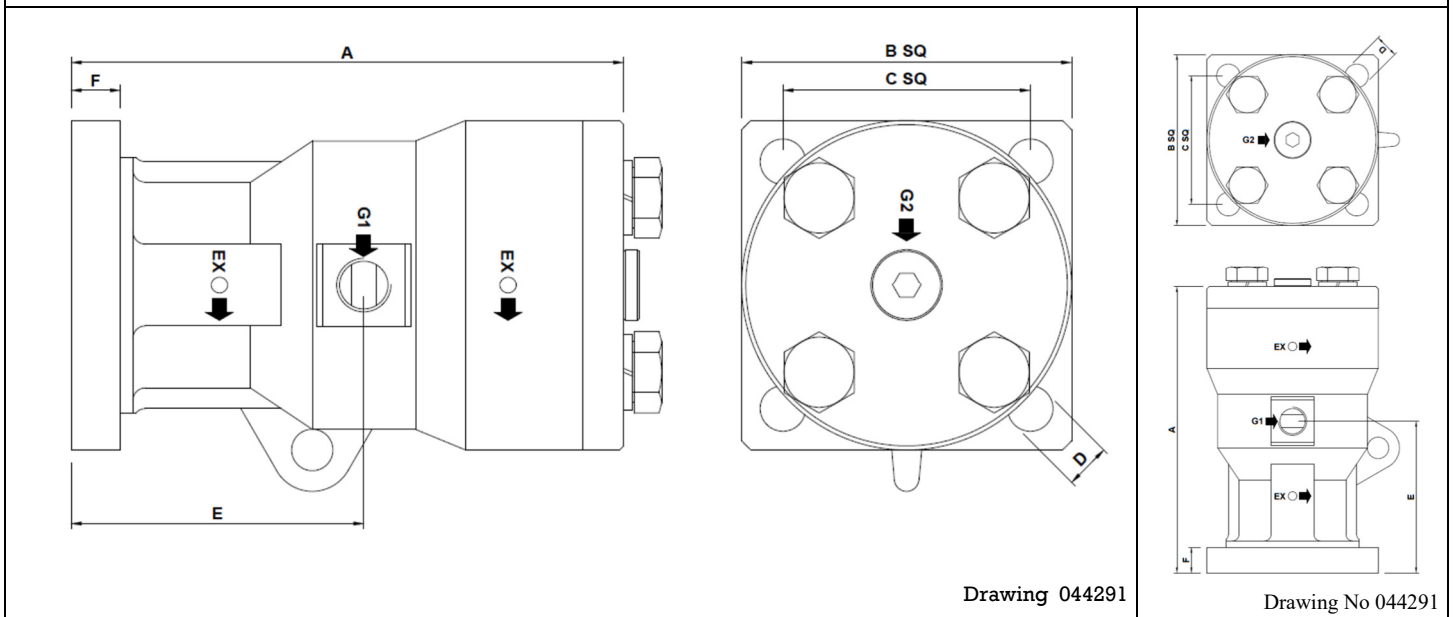
Single Impact *

Continuous Air Cushioned Vibration

VTP SPECIFICATION

MODEL	Continuous Impact	Single Impact *	Air Cushioned	Force	Air Pressure		Air Consumption @ 4 Bar		Maximum Air Pressure @ 7 Bar	
				kN	PSI	Bar	CFM	L/Min	PSI	Bar
VTP40	044281	044281.1	-	12.75	58	4.0	2.51	71	100	7.0
VTP55	044242	044242.1	-	19.70	58	4.0	2.83	80	100	7.0
VTP80	044276	044276.1	-	41.00	58	4.0	3.00	85	100	7.0

DIMENSIONS

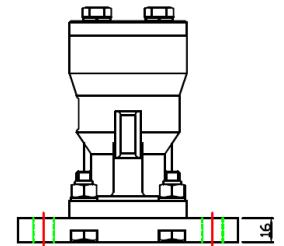
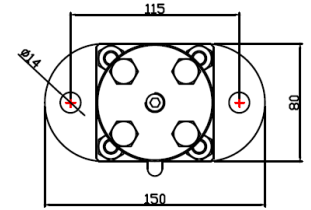
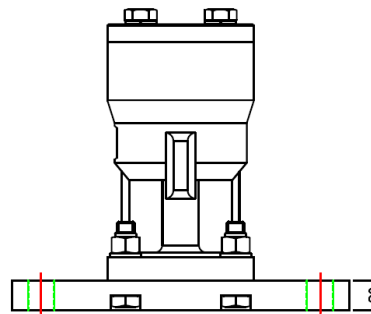
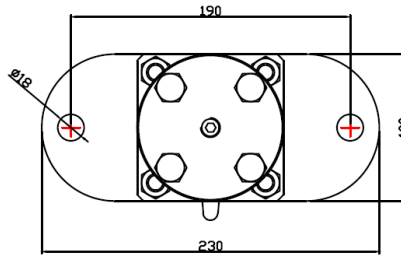
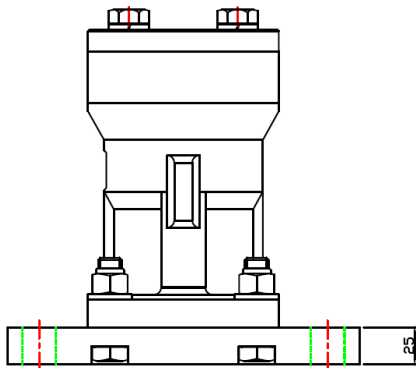
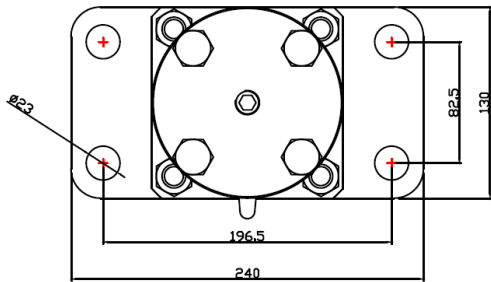


MODEL	A	B	C	D	E	F	G1 & G2	EX (Exhaust)	Weight
VTP40	134	80	60	11	71	12	1/4	Plain 4mm	4 kg
VTP55	174	100	75	13	93.5	16	1/4	Plain 5mm	
VTP80	202	130	100	17	106.5	19	3/8	Plain 6mm	16 kg

VIBRATECHNIQUES LTD

20 Cecil Pashley Way, Shoreham Airport, Shoreham by Sea, West Sussex, BN43 5FF
Tel: +44 (0)1273 430977 Fax: +44 (0)1273 430978 Email: sales@vibtec.com Web: www.vibtec.com

VTP-P With Adaptor Plate



VTP-P80

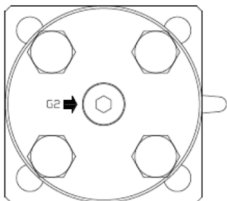
Part No 044304.80

VTP-P55

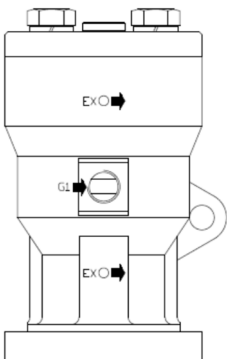
Part No 044304.55

VTP-P40 Part no 044304.40

To Change from continuous to single impacting



To change from continuous impacting to single remove plug from G2 and insert in G1. Take fitting from G1 insert in G2.



VTP40/55	
046070	1/4" BSP x 8mm
046161	6mm Bore x 8mm OD
VTP80	
046144	3/8" BSP x 10mm
046162	8mm Bore x 10mm OD

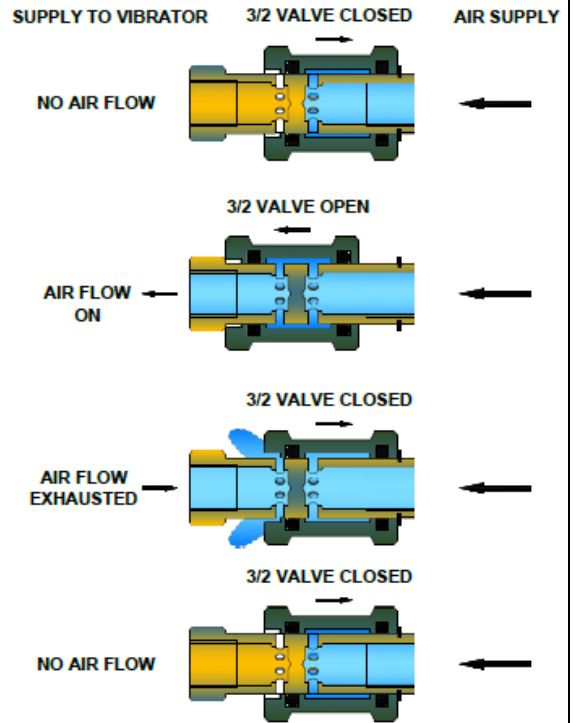
VIBRATECHNIQUES LTD

20 Cecil Pashley Way, Shoreham Airport, Shoreham by Sea, West Sussex, BN43 5FF
Tel: +44 (0)1273 430977 Fax: +44 (0)1273 430978 Email: sales@vibtec.com Web: www.vibtec.com

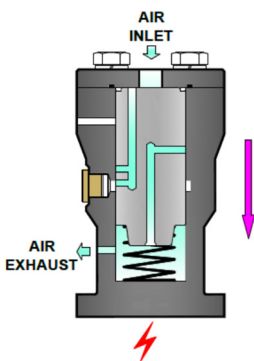
2/3 Valve

VTP

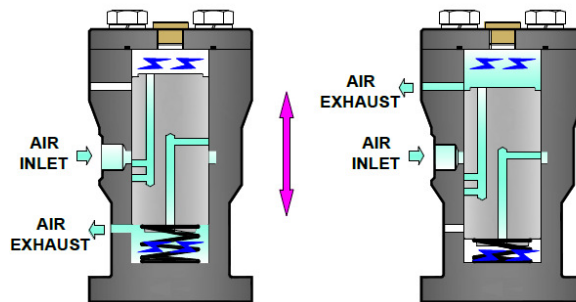
Requires a 3/2 valve. This could be manual or solenoid controlled.
The 2/3 way valve is preferred to a ball valve as it is a self exhausting valve and releases the exhausting air quicker.
See diagrams opposite



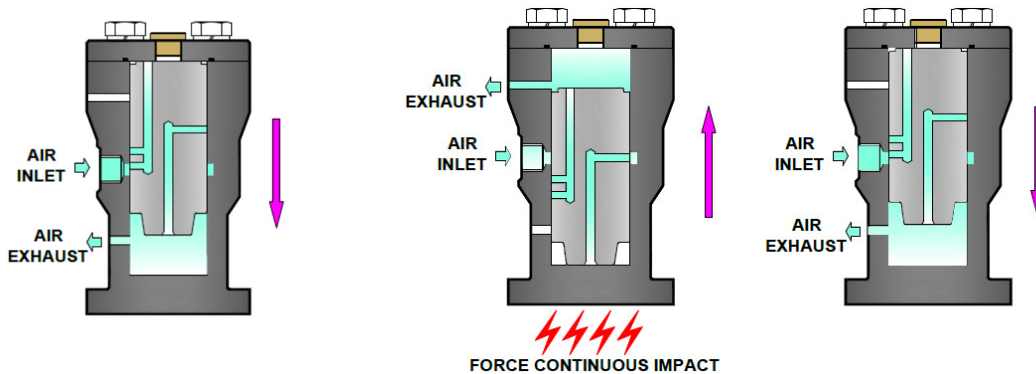
Single Impact



Continuous Air Cushioned Vibration



Continuous Impacting



NB:
Continuous impacting model has spring.
Similar to all other models (not illustrated)

VIBRATECHNIQUES LTD

20 Cecil Pashley Way, Shoreham Airport, Shoreham by Sea, West Sussex, BN43 5FF
Tel: +44 (0)1273 430977 Fax: +44 (0)1273 430978 Email: sales@vibtec.com Web: www.vibtec.com