

Linear Vibration

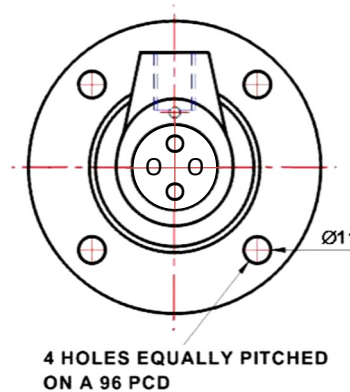
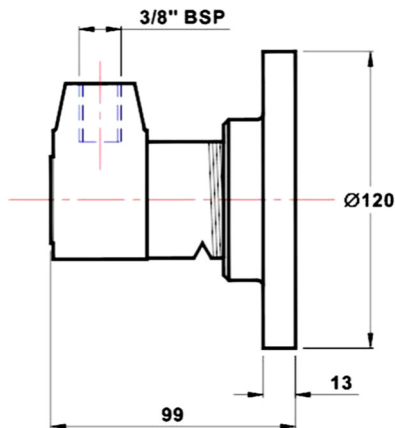
Robust Unit

Steel Forged Body

Nitride Hardened Steel Piston

On request can be supplied with ATEX certification to ATEX 2014/34/EU  II 2 G & D Zone 1, 2 & 21, 22

DIMENSIONS



Drawing No 044139.2

PERFORMANCE DATA

MODEL	Piston Dia. mm	Stroke mm	Height mm	Fixing Bolts	Impacts per/min	Air Consumption litres/min	Working Pressure	Weight kgs
V1	28.5	25.4	99	M10	4000	160	6 Bar	2.04

VIBRATECHNIQUES LTD

20 Cecil Pashley Way, Shoreham Airport, Shoreham by Sea, West Sussex, BN43 5FF

Tel: +44 (0)1273 430977 Fax: +44 (0)1273 430978 Email: sales@vibtec.com Web: www.vibtec.com