

IMPACT VIBRATOR FKL mi

Automatically controlled Variable impact force

Continuous Impacting at Variable Intervals

Variable Force

Lubrication free

Standard Version can be used up to 120°C

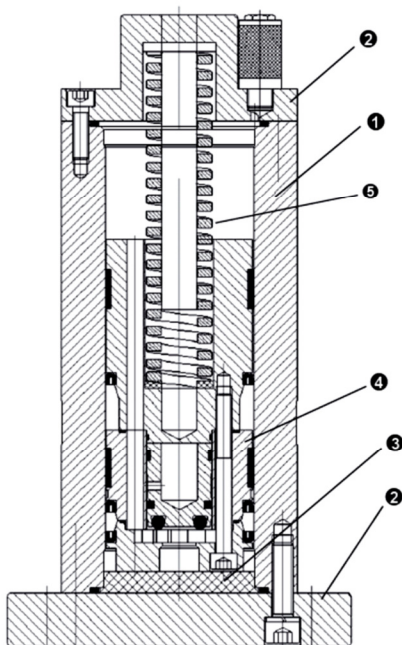
HT Version up to 150°C

LT Version down to -40°C

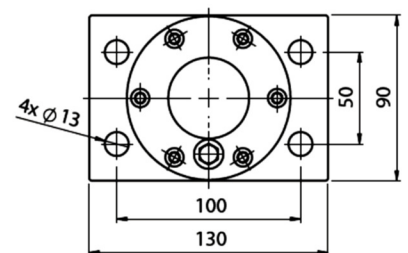
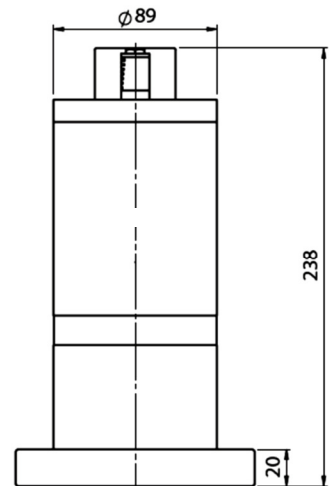
Used for knocking off material adhering to Container Walls, Silos, Chutes, Filter Outlets, Pipelines



On request can be supplied with ATEX certification to ATEX 2014/34/EU **Ex** II 2 G & D Zone 1, 2 & 21, 22



- 1 Housing Made of hard anodised aluminium alloy
- 2 Steel Piston
- 3 Baffle plate made of impact resistant plastic
- 4 Vibrator Cap and Base made of hardened anodised aluminium
- 5 Compression Spring



SPECIFICATION	
Model	FKL 100 mi
Pressure	6-8 bar
Work/Impact	10-40 nm
Impulse/Impact	5-10 Ns
Stroke/Impacts	0.5-10 pm
Air Consumption	0.5-10 pm
For Wall Thickness	Up to 5mm
Weight	4.5kg

VIBRATECHNIQUES LTD

20 Cecil Pashley Way, Shoreham Airport, Shoreham by Sea, West Sussex, BN43 5FF
Tel: +44 (0)1273 430977 Fax: +44 (0)1273 430978 Email: sales@vibtec.com Web: www.vibtec.com