

Linear Vibration

Aluminium housing surfaced hardened and corrosion resistant

Ideal for arduous conditions

Force 34 N to 1066 N

Frequency and amplitude adjustable independently

FP12-FP35 Suitable for ambient temperature from 10°C up to 150°C

FP12-FP LT low temperature and FP HT high temperature models also available

Stud Fixing

On request can be supplied with ATEX certification to ATEX 2014/34/EU  II 2 G & D Zone 1, 2 & 21, 22

PERFORMANCE DATA

Models	Frequency V.P.M.			Linear Force Measured						Air Consumption / Minute						Noise Level	
	2 Bar 29PSI	4 Bar 58PSI	6 Bar 87PSI	2 Bar N	29PSI lbs	4Bar N	58PSI lbs	6Bar N	87PSI lbs	2Bar litr	29PSI CFM	4Bar litr	58PSI CFM	6Bar litr	87PSI CFM	A** dB	A*** dB
FP-12-S	6200	7800	9300	34	7.7	70	16	92	21	0.8	0.03	7.5	0.26	25	0.88	57-61	N/A
FP-12-M	5000	6000	6700	34	7.7	58	13	74	17	0.5	0.02	4	0.14	19	0.67	57-61	N/A
FP-12-L	4000	4800	5400	32	7.2	58	13	81	18	1	0.04	3	0.11	20	0.71	58-60	N/A
FP-18-S	5000	6400	7700	66	15.0	134	30	187	42	5	0.18	33	1.16	57	2.00	62-71	N/A
FP-18-M	4000	5000	5900	68	15.0	134	30	188	42	4	0.14	28	1.00	52	1.84	61-67	N/A
FP-18-L	3100	4000	4600	64	14.0	150	34	206	46	5	0.18	23	0.81	46	1.62	61-68	N/A
FP-25-S	3600	4300	5500	126	28	270	61	416	94	13	0.46	54	1.91	93	3.28	70-75	61-67
FP-25-M	3000	3800	4200	142	32	364	82	504	113	23	0.81	50	1.76	87	3.07	73-75	62-66
FP-25-L	2400	3100	3700	186	42	392	88	594	134	18	0.64	62	2.19	93	3.28	72-75	60-65
FP-35-S	2800	4700	5800	294	66	668	150	1038	234	23	0.81	101	3.56	162	5.72	72-77	71-73
FP-35-M	3000	4000	4600	248	56	778	175	1080	243	24	0.84	83	2.93	141	4.98	74-78	70-73
FP-35-L	2400	3100	3600	282	63	680	153	1066	240	38	1.34	89	3.14	135	4.77	74-78	68-74

NOISE LEVEL :NOTE ** With customary silencer *** With 1/4" Free Flow Silencer

FREQUENCY AND AMPLITUDE: By using a flow restricting silencer on the FP, FPLF, FAL, and VTL vibrators the amplitude can be reduced whilst the frequency remains almost constant.

VIBRATECHNIQUES LTD

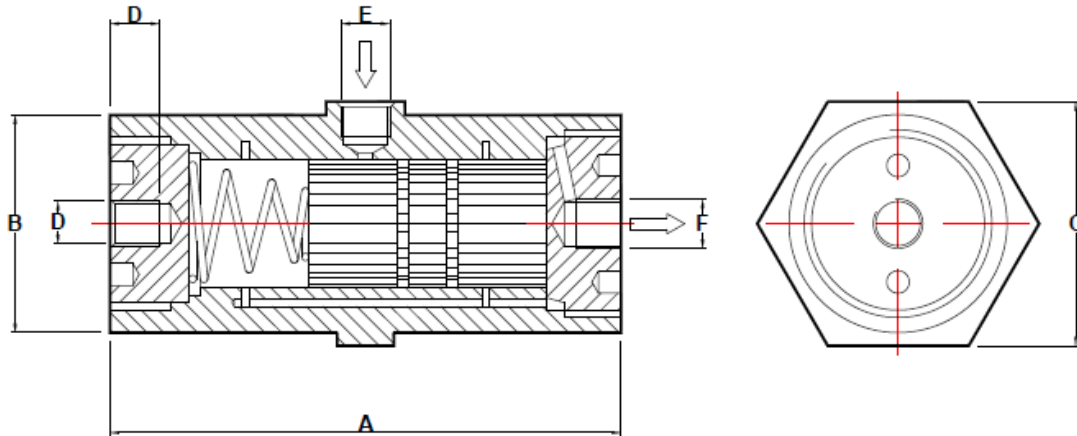
20 Cecil Pashley Way, Shoreham Airport, Shoreham by Sea, West Sussex, BN43 5FF

Tel: +44 (0)1273 430977 Fax: +44 (0)1273 430978 Email: sales@vibtec.com Web: www.vibtec.com

DIMENSIONS FP12-FP35 Stud Fixing



Stud Fixing
(see dimension D)



Drawing No 081001

Models	A		B		C		D Metric Thread	D Depth Of Thread	BSP Thread			Weight of Body		Weight of Piston		Total Weight	
	mm	inch	mm	inch	mm	inch			E	E1	F	kg	lbs	kg	lbs	kg	lbs
FP-12-S	71	2.80	31	1.22	34	1.34	M8	11mm	1/8"	N/A	1/8"	0.125	0.275	0.020	0.045	0.153	0.320
FP-12-M	81	3.19	31	1.22	34	1.34	M8	11mm	1/8"	N/A	1/8"	0.140	0.309	0.030	0.066	0.178	0.375
FP-12-L	94	3.70	31	1.22	34	1.34	M8	11mm	1/8"	N/A	1/8"	0.165	0.360	0.040	0.090	0.212	0.450
FP-18-S	81	3.19	40	1.57	42	1.65	M10	12mm	1/8"	N/A	1/8"	0.220	0.485	0.060	0.135	0.300	0.620
FP-18-M	94	3.70	40	1.57	42	1.65	M10	12mm	1/8"	N/A	1/8"	0.260	0.575	0.080	0.175	0.352	0.750
FP-18-L	109	4.29	40	1.57	42	1.65	M10	12mm	1/8"	N/A	1/8"	0.300	0.660	0.110	0.240	0.423	0.900
FP-25-S	98	3.86	48	1.89	50	1.97	M12	15mm	1/8"	N/A	1/4"	0.375	0.825	0.155	0.345	0.553	1.170
FP-25-M	116	4.57	48	1.89	50	1.97	M12	15mm	1/8"	N/A	1/4"	0.435	0.955	0.215	0.475	0.672	1.430
FP-25-L	136	5.35	48	1.89	50	1.97	M12	15mm	1/8"	N/A	1/4"	0.500	1.100	0.290	0.640	0.820	1.740
FP-35-S	98	3.86	58	2.28	65	2.55	M12	15mm	1/4"	N/A	1/4"	0.530	1.168	0.315	0.694	0.926	1.862
FP-35-M	116	4.57	58	2.28	65	2.55	M12	15mm	1/4"	N/A	1/4"	0.610	1.344	0.430	0.947	1.135	2.292
FP-35-L	136	5.35	58	2.28	65	2.55	M12	15mm	1/4"	N/A	1/4"	0.700	1.543	0.530	1.278	1.382	2.281

FP35 with square baseplate



The FP35 range are available with a square baseplate 90 x90 x 20mm thick, with 9mm fixing holes on 72mm centres.

The plate part number 99035.80 is supplied with a 12mm fixing screw to secure the baseplate to the FP Vibrator.

The baseplate is ordered separately to the Vibrator

IMPORTANT

It is recommended that a 3/2 Pneumatic Valve is used in installation. Leaflet L1103 Available on request



Linear Vibration

Aluminium housing surfaced hardened and corrosion resistant

Ideal for arduous conditions

Force 490 N to 6150 N

Frequency and amplitude adjustable independently

FP50-FP95 Suitable for ambient temperature from 10°C up to 120°C

FP LT low temperature and FP HT high temperature Vibrators are also available

FP50-FP90 are supplied with square base plates with four fixing holes instead of a single stud



On request can be supplied with ATEX certification to ATEX 2014/34/EU  II 2 G & D Zone 1, 2 & 21, 22

PERFORMANCE DATA

FP 50 and 60 are supplied with countersunk screws to blank off ports not used. Supplied as build 1 unless otherwise requested.

FP 95 does not have a top port, supplied as build 4 unless otherwise requested.



Build 1

Build 2

Build 3

Build 4

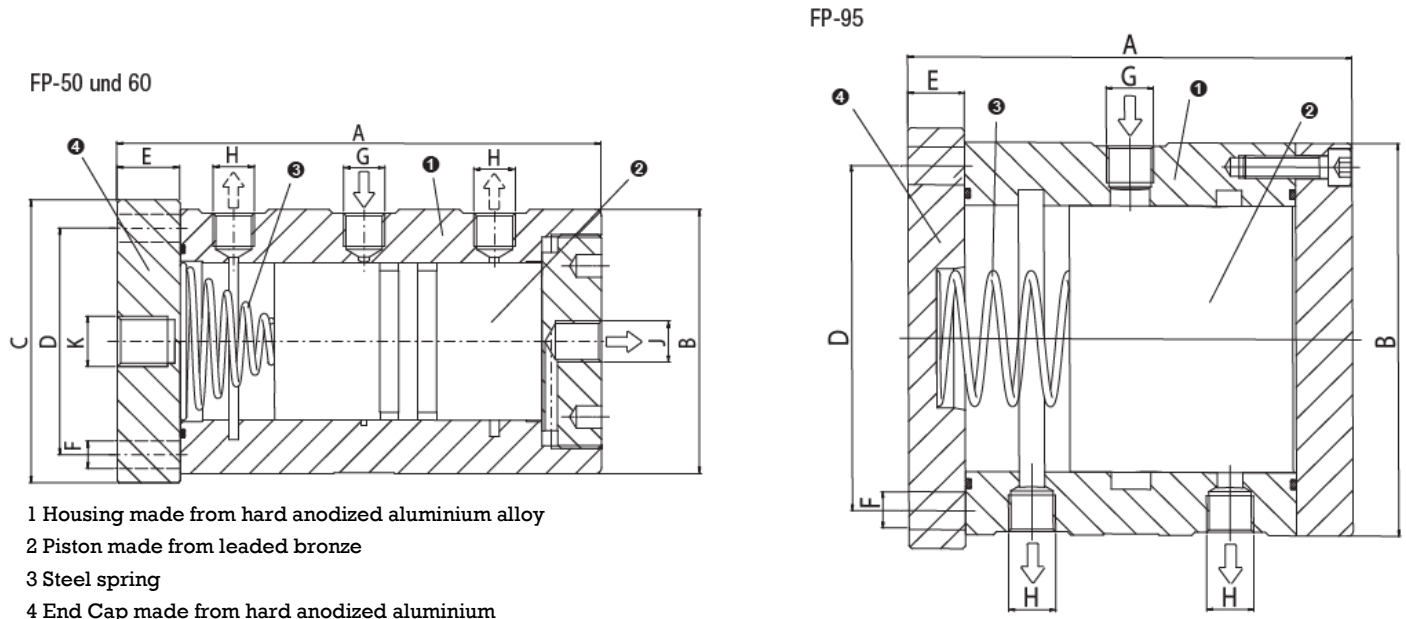
Model	Build	Frequency V.P.M.			Linear Force Measured						Air Consumption / Minute						Noise Level dBA
		2 Bar 29PSI	4 Bar 58PSI	6 Bar 87PSI	2 Bar N	29PSI lbs	4Bar N	58PSI lbs	6Bar N	87PSI lbs	2Bar litr	29PSI CFM	4Bar litr	58PSI CFM	6Bar litr	87PSI CFM	
FP-50-M	Build 1	1850	2300	2800	490	110	970	218	1600	360	48	1.67	100	3.48	190	6.61	70-77
FP-60-M	Build 1	1950	2400	2700	610	137	1400	315	2170	489	90	3.13	160	5.57	270	9.39	73-79
FP-50-M	Build 2	1850	2300	2800	470	107	1020	230	1950	438	78	2.75			280	9.89	76-83
FP-60-M	Build 2	1950	2400	2700	670	151	1450	326	2400	540	115	4.06			335	11.83	75-82
FP-50-M	Build 3	1850	2300	2800	460	103	980	220	1850	416	78	2.75			280	9.88	80-87
FP-60-M	Build 3	1950	2400	2700	610	137	1450	326	2200	495	115	4.06			335	11.93	78-84
FP-95-M	Build 3	1800	2400	2800	1500	338	2620	590	4270	962	170	5.91	320	11.13	450	15.65	85-92
FP-50-M	Build 4	1850	2300	2800	450	101	1000	225	1900	427	78	2.75			310	10.95	86-92
FP-60-M	Build 4	1950	2400	2700	630	142	1440	324	2300	517	115	4.06			335	11.83	84-90
FP-95-M	Build 4	1800	2400	2800	1620	364	4060	913	6150	1382	170	5.91			490	17.30	86-93

FREQUENCY AND AMPLITUDE: By using a flow restricting silencer on the FP, FPLF, FAL, and VTL vibrators the amplitude can be reduced whilst the frequency remains almost constant.

VIBRATECHNIQUES LTD

20 Cecil Pashley Way, Shoreham Airport, Shoreham by Sea, West Sussex, BN43 5FF

DIMENSIONS FP50-FP95 with square baseplate



- 1 Housing made from hard anodized aluminium alloy
- 2 Piston made from leaded bronze
- 3 Steel spring
- 4 End Cap made from hard anodized aluminium

Models	A		B Ø		C		D		E		F		BSP Thread			K	
	mm	inch	mm	inch	mm	inch	mm	inch	mm	inch	mm	inch	G	H	J	mm	
Standard																	
FP-50-M	154	6.07	84	3.31	90	3.54	72	2.84	20	0.79	8.8	0.35	1/4"	1/4"	1/4"	M16	
FP-60-M	154	6.07	94	3.70	110	4.33	90	3.54	20	0.79	8.8	0.35	1/4"	3/8"	1/4"	M16	
FP-95-M	156	6.15	140	5.52	150	5.91	125	4.92	20	0.79	13.0		3/8"	3/8"	N/A	-	
	Weight of Body		Weight of Piston		Total Weight												
	kg		lbs		kg		lbs		kg		lbs						
FP-50-M	1.750		3.858		1.500		3.307		3.300		7.165						
FP-60-M	2.100		4.629		2.150		4.740		4.250		9.369						
FP-95-M	4.500		9.921		4.900		10.802		9.460		20.723						

For Technical Advice on Filters, Hoses and Regulators ask for Technical Manual TM1390.

We can also supply all these items:

Filter Regulators and Lubricators
Leaflet L1100

Exhausts & Fittings
Leaflet L1102

3/2 Pneumatic Valves
Leaflet L1103

3/2 Pneumatic Solenoid Valves
Leaflet L1104

By using a flow restricting silencer on the FP, FPLF, FAL, and VTL piston vibrators, a lower amplitude can be exerted to the application vessel whilst keeping the piston oscillating at a near fixed frequency.

Flow Restricting Silencer Leaflet L1180

IMPORTANT

It is recommended that a 3/2 Pneumatic Valve is used in installation.

Leaflet L1103 & L1104 available on request

3/2 Valves Leaflets L1103 & L1104