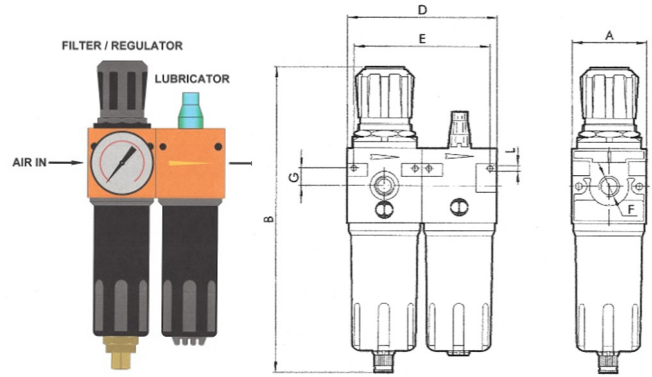
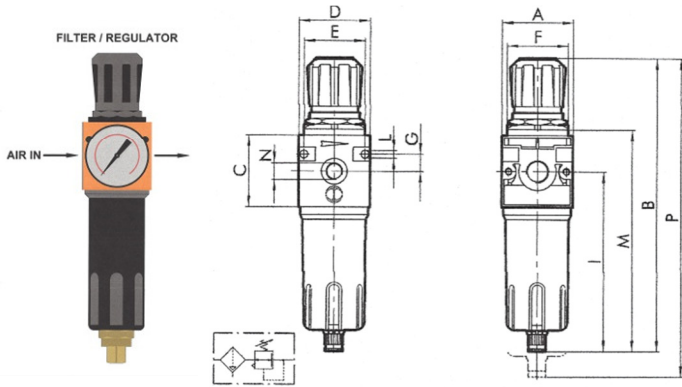


FILTER REGULATOR

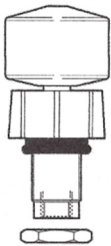
FILTER REGULATOR / LUBRICATOR



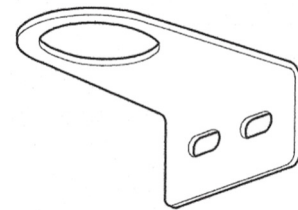
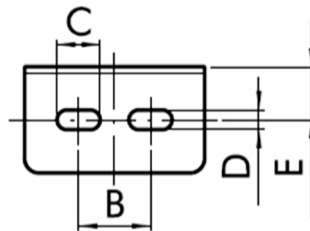
	A	B	C	D	E	F	G	I	L	M	N	P
G 1/4	42	190	42	42	36	30 X 1.5	10	121	M4	145	1/8	233
G 3/8	60	245	60	60	52	38 X 2	14	150	M4	185	1/8	295

	A	B	D	E	G	L
G 1/4	42	195	84		10	M4
G 3/8	60	245	120	109	14	M4
G 1/2						

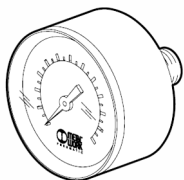
Part Number	1001443	1001444	1001441	1001442
Description	Regulator	Regulator	Regulator / Lubricator	Regulator / Lubricator
Outlet	1/4 BSP	1/2 BSP	1/4 BSP	1/2 BSP
Inlet	1/4 BSP	1/2 BSP	1/4 BSP	1/2 BSP
Setting Range	0-12 bar	0-8bar	0-8bar	0-8bar
Filtration	20 micron	20 micron	20 micron	20 micron
Drain	Automatic Drain	Automatic Drain	Automatic Drain	Automatic Drain
Bracket	See below			
Gauge	0-160psi	0-160psi	0-160psi	0-160psi



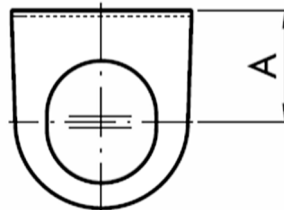
As fitted to 1/2 BSP
Filter / Regulator



AUTODRAIN



GAUGE 1/8 BSP



	A	B	C	D	E
1/4 BSP	32	20	12	5.5	14.2
1/2 BSP	42	40	12	5.5	15

BRACKET

VIBRATECHNIQUES LTD

20 Cecil Pashley Way, Shoreham Airport, Shoreham by Sea, West Sussex, BN43 5FF

Tel: +44 (0)1273 430977 Fax: +44 (0)1273 430978 Email: sales@vibtec.com Web: www.vibtec.com