

Rotary Vibrator
High Amplitude
Variable Frequency
Lightweight

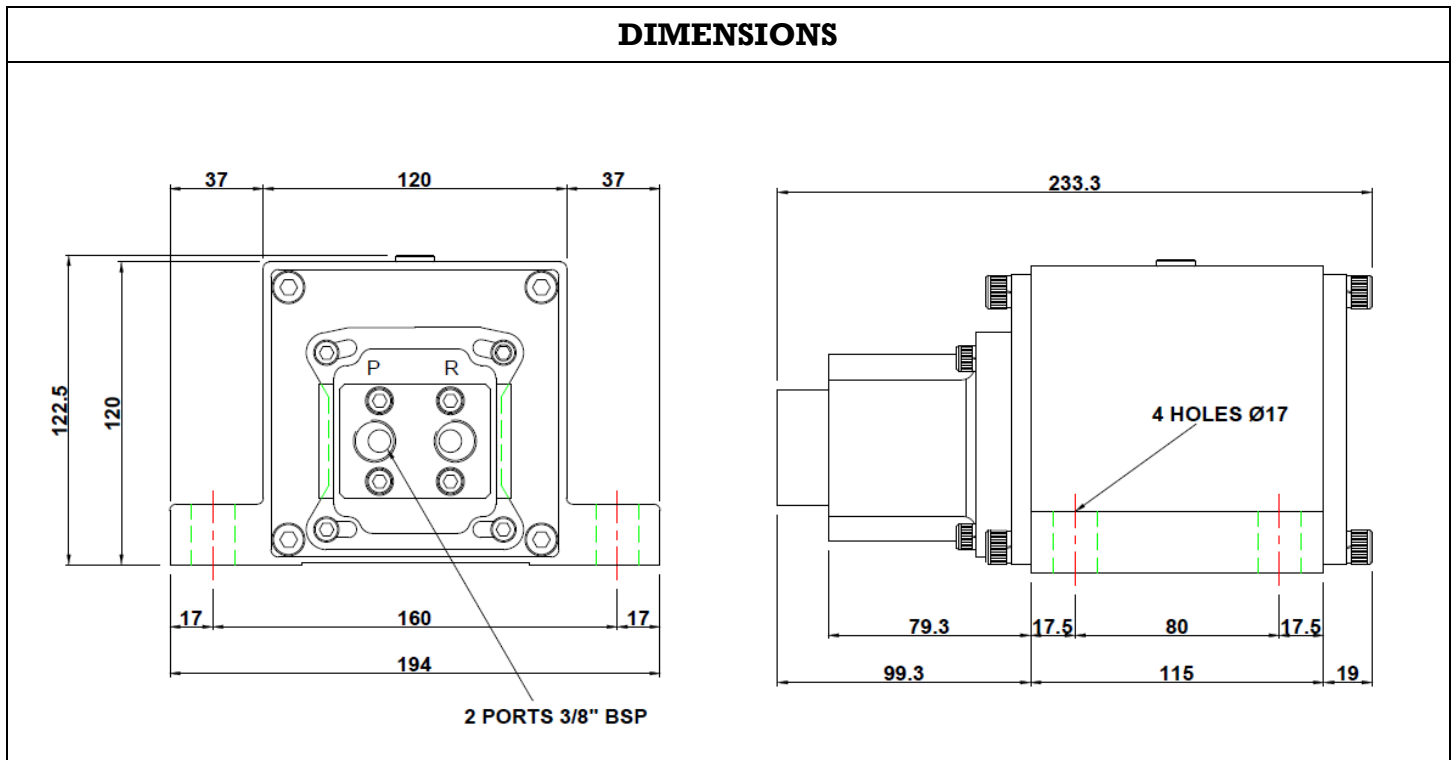
On request can be supplied with ATEX certification to ATEX 95 94/9/EC Ex II 2 G & D Zone 1, 2 & 21,

PERFORMANCE DATA

TYPE	Weight (Kgs)	Working Moment (Cm/kg)	Continuous Operation			Intermittent Operation		
			RPM	Force (N)	L/Min	RPM	Force (N)	L/Min
VHE 5/500	6.35	2.05	6000	4065	12	7000	5545	14
VHE 5/900	7.5	6.6	4000	5865	8	5000	9090	10

Oil Pressure : 40 - 100 Bar 1 RPM = 2cc Oil Volume Max. permitted back pressure: 2 Bar

DIMENSIONS



VIBRATECHNIQUES LTD

20 Cecil Pashley Way, Shoreham Airport, Shoreham by Sea, West Sussex, BN43 5FF

Tel: +44 (0)1273 430977 Fax: +44 (0)1273 430978 Email: sales@vibtec.com Web: www.vibtec.com