



ELECTRIC VIBRATORS

ITVAF

with

CONVERTORS

ALSO REFER TO CATALOGUE L0019/EN019

EXTERNAL VIBRATORS

ITVAF 42 volt 3 phase 3phase 200hz



**CAN BE USED IN CONJUNCTION WITH INTERNAL VIBRATORS
42 volt 3 phase 3phase 200hz**



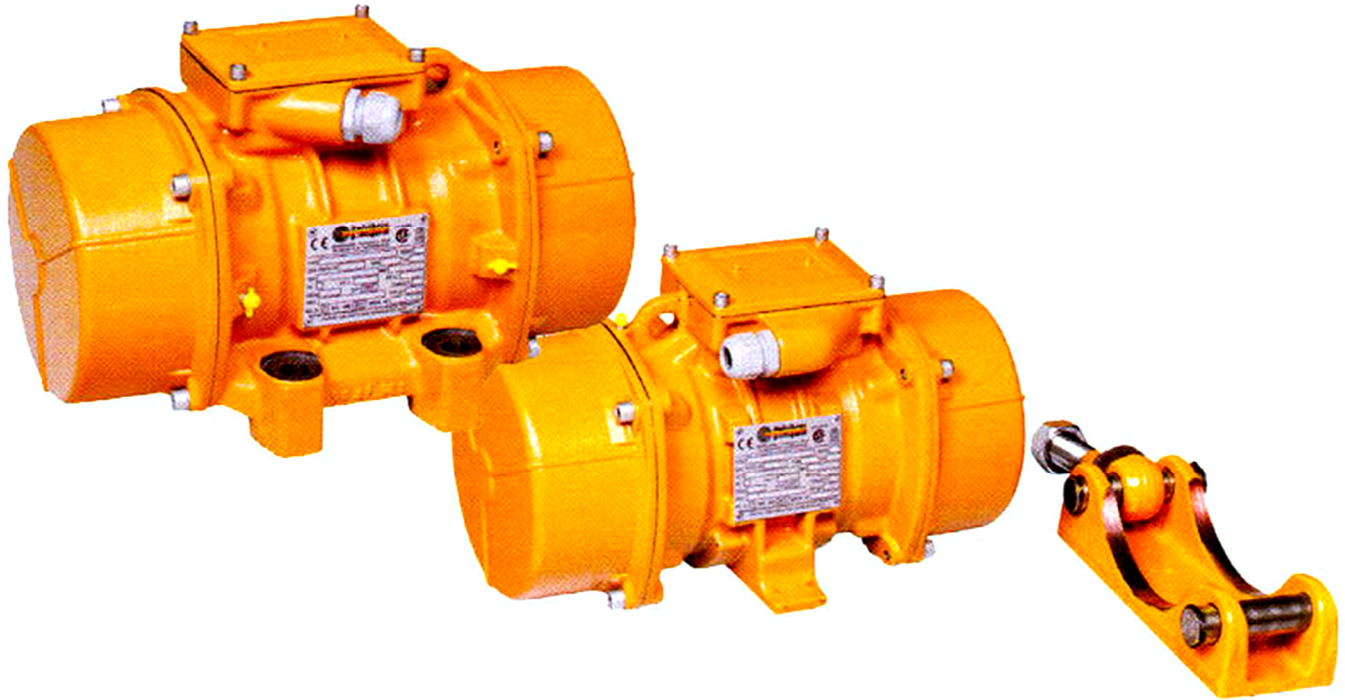
TYPICAL SET

Foot Mounted				Quick Release			
Convertor	Vibrator	Cable	Bracket	Convertor	Vibrator	Cable	Bracket
Page 6-7	Page	Page 13	Page 11-12	Page6-7	Page	Page 13	Page 9-10
Clamp on Bracket only for ITVAF6/300 & ITVAF6/600							

VIBRATECHNIQUES LTD

20 Cecil Pashley Way, Shoreham Airport, Shoreham by Sea, West Sussex, BN43 5FF

Tel: +44 (0)1273 430977 Fax: +44 (0)1273 430978 Email: sales@vibtec.com Web: www.vibtec.com



Specially designed casing for high speed duty

IP66 enclosure and Insulation Class F (155°C)

Suitable for hazardous environments


Ambient temperature from -20°C to +40°C

Thermistors with different temperatures and anti-condensation heaters available on request on smaller sizes

Fully adjustable eccentric weights, easily accessible

Foot Mounted or Quick Release Bracket

Available in 42/3/200 and 250/3/200

Used in Conjunction with			Cable, Plugs and Wiring available
			
Leaflet L0403	Leaflet L0100	Leaflet L0770	Leaflet L0180

VIBRATECHNIQUES LTD

20 Cecil Pashley Way, Shoreham Airport, Shoreham by Sea, West Sussex, BN43 5FF

Tel: +44 (0)1273 430977 Fax: +44 (0)1273 430978 Email: sales@vibtec.com Web: www.vibtec.com

DIMENSIONS

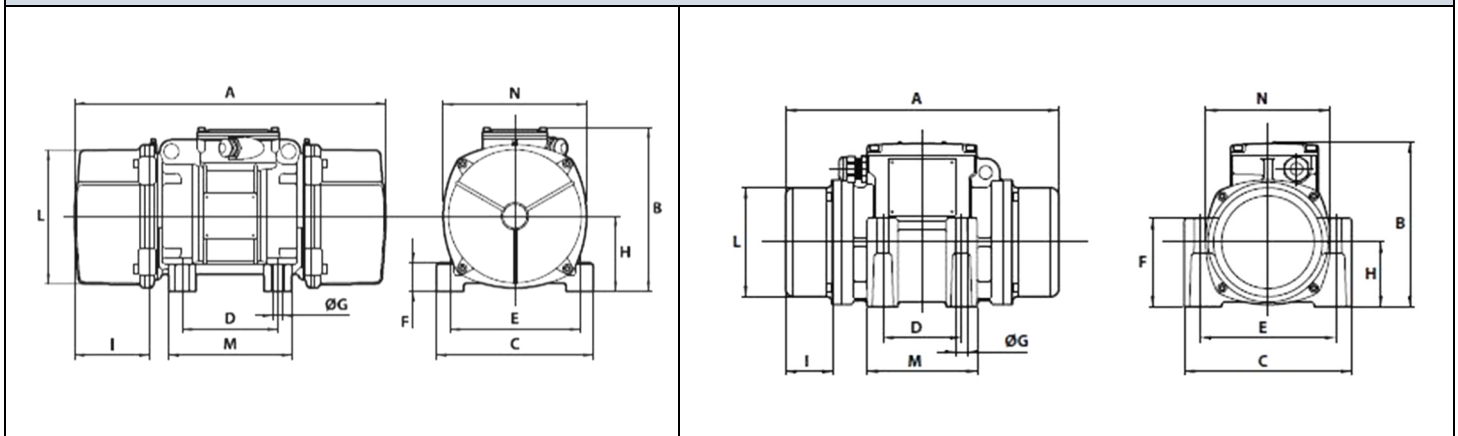


Figure A Foot Mounted

Figure AH Foot Mounted

Model	Mounting	Fig.	A	B	C	D	E	Holes		F	H	I	L	M	N
								G	No						

ELECTRIC EXTERNAL VIBRATORS ITVAF QUICK RELEASE

ITVAF 6/600-RS-S02	Quick Release Bracket QR2	D	255	140	97	97	180	Use Quick Release Weld on Bracket QR2 OR QR4 Bolt on available	54	124	-	141
ITVAF 6/1000-RS-S02	Quick Release Bracket QR4	D	310	189	83	140	240		54	124	-	141
ITVAF 6/1200-RS-S02	Quick Release Bracket QR4	D	310	189	83	140	240		54	124	-	141
ITVAF 6/1220-RS-S08	Quick Release Bracket QR4	D	289	189	83	140	240		63	170	-	182
ITVAF 6/1510-RS-S08	Quick Release Bracket QR4	D	375	189	83	140	240		106	170	-	182
ITVAF 9/1110-RS-S08	Quick Release Bracket QR4	D	289	189	83	140	240		63	170	-	182
ITVAF 9/1510-RS-S08	Quick Release Bracket QR4	D	375	189	83	140	240		106	170	-	182

ELECTRIC EXTERNAL VIBRATORS ITVAF FOOT MOUNTED

ITVAF6/300-S02	Foot Mounted		197	123	127	62-74	106		8	24	70	40	106	86	106
ITVAF 6/600-S02	Foot Mounted	A	255	179	152	90	125	13	4	28	73	54	124	128	141
ITVAF 6/1000-S02	Foot Mounted	AH	310	186	190	90	154	13	4	100	73	54	124	125	141
ITVAF 6/1200-S02	Foot Mounted	AH	310	186	190	90	154	13	4	100	73	54	124	125	141
ITVAF 6/1220-S08	Foot Mounted	A	289	216.5	215	100	180	17	4	47	93.5	63	170	145	182
ITVAF 6/1510-S08	Foot Mounted	A	375	216.5	215	100	180	17	4	47	93.5	106	170	145	182
ITVAF 9/1110-S08	Foot Mounted	A	289	216.5	215	100	180	17	4	47	93.5	63	170	145	182
ITVAF 9/1510-S08	Foot Mounted	A	375	216.5	215	100	180	17	4	47	93.5	106	170	145	182

VAQ QUICK RELEASE WELD ON BRACKET

Type	Length	Width	Height	Weight (Kgs)	Used on
QR 2	180	95	60	3.15	ITVAF 6/600-RS
QR 4	240	86	73	4.75	ITVAF 6/1000 -ITVAF 6/1510RS

Clamps ordered separately



VIBRATECHNIQUES LTD

20 Cecil Pashley Way, Shoreham Airport, Shoreham by Sea, West Sussex, BN43 5FF

Tel: +44 (0)1273 430977 Fax: +44 (0)1273 430978 Email: sales@vibtec.com Web: www.vibtec.com

SPECIFICATION

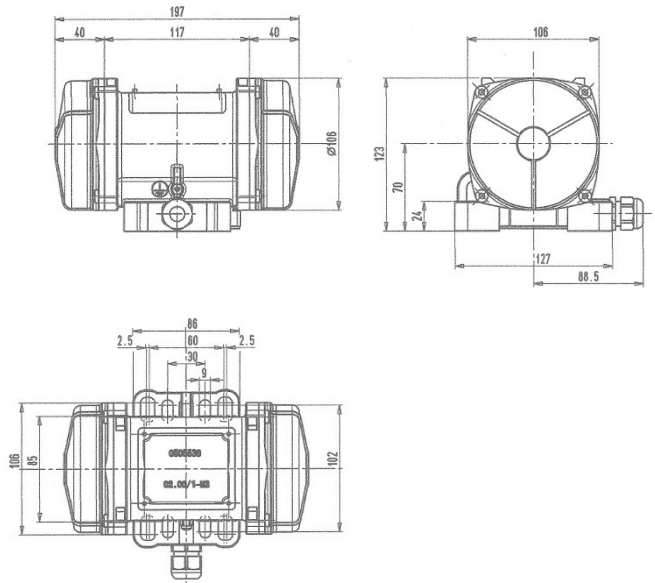
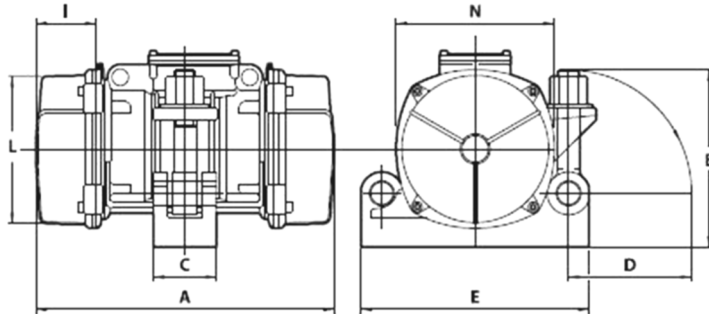


Figure D Quick Release Bracket

ITVAF6/300

Quick Release	Frame Size	Speed RPM	Frequency Hz	Max. Force C/F		Weight kg	Max. Power kW	Max. Current Amps		Is/Ir
				kg	kN			42V	250V	

ELECTRIC EXTERNAL VIBRATORS ITVAF QUICK RELEASE

ITVAF 6/600-RS-S02	AF10	6000	200	610	5.98	8	0.5	9.5	1.6	4.50
ITVAF 6/1000-RS-S02	AF30	6000	200	1022	9.70	18	1.0	20	3.3	6.06
ITVAF 6/1200-RS-S02	AF30	6000	200	1200	11.3	18	1.0	20	3.3	6.06
ITVAF 6/1220-RS-S08	AF33	6000	200	1095	10.7	23	1.2	23	3.85	6.04
ITVAF 6/1510-RS-S08	AF33	6000	200	1484	14.6	25	1.7	29	4.9	7.10
ITVAF 9/1110-RS-S08	AF33	9000	150	1230	12.0	22	1.15	18	-	8.52
ITVAF 9/1510-RS-S08	AF33	9000	150	1484	14.6	24	1.6	24	4.0	10.4

ELECTRIC EXTERNAL VIBRATORS ITVAF FOOT MOUNTED

ITVAF 6/300		6000	200	248	2.44	4.3	0.35	9.4	1.8	4.50
ITVAF 6/600-S02	AF10	6000	200	610	5.98	8.0	0.5	9.5	1.6	4.50
ITVAF 6/1000-S02	AF30	6000	200	1022	9.70	18.0	1.0	20	3.3	6.06
ITVAF 6/1200-S02	AF30	6000	200	1200	11.3	18.0	1.0	20	3.3	6.06
ITVAF 6/1220-S08	AF33	6000	200	1095	10.7	23.0	1.2	23	3.85	6.04
ITVAF 6/1510-S08	AF33	6000	200	1484	14.6	25.0	1.7	29	4.9	7.10
ITVAF 9/1110-S08	AF33	9000	150	1230	12.0	22.0	1.15	18	-	8.52
ITVAF 9/1510-S08	AF33	9000	150	1484	14.6	24.0	1.6	24	4.0	10.4

VIBRATECHNIQUES LTD

20 Cecil Pashley Way, Shoreham Airport, Shoreham by Sea, West Sussex, BN43 5FF

Tel: +44 (0)1273 430977 Fax: +44 (0)1273 430978 Email: sales@vibtec.com Web: www.vibtec.com

Electronic Frequency Converter designed specifically for External Vibrators.
 Built to Customers specification using Mitsubishi or Schneider Electric Invertors
 All output sockets have individual motor protection switches
 Maximum degree of safety due to use of a Galvanic Isolation Transformer
 Using 42Volt allows maximum degree of safety due to low voltage
 Automatic Ramp up allowing vibrators to be started simultaneously
 Radio Interference suppression filter
 Low Noise (sound power) below 70dB(A)
 Temperature range of use -10°C to +40°C
 No mechanical wear parts
 Variable number of sockets can be fitted
 Protection Class 1



Electronic Converter supplied as standard in Cabinet,
 Optional extras: Frame, two wheeled Trolley , two wheeled trolley with cable reel with slip ring available.
 Designed to allow variable vibrator speed for optimum vibrator performance and to avoid excessive noise and resonance.
 Fail safe automatic overload shut off and short circuit protection, offering protection against low voltage and spikes in supply.
 Excessive Temperature protection due to excessive amps and/ or excessive heat due to lack of ventilation in surrounding area.
 Standard Input Voltage 400/3/50, other input voltages can be built to special order.

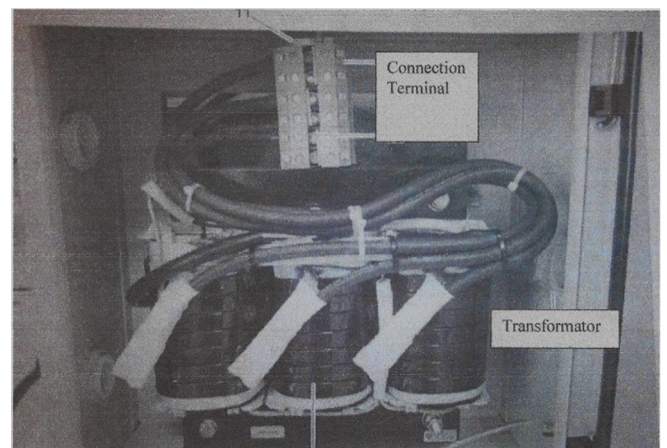
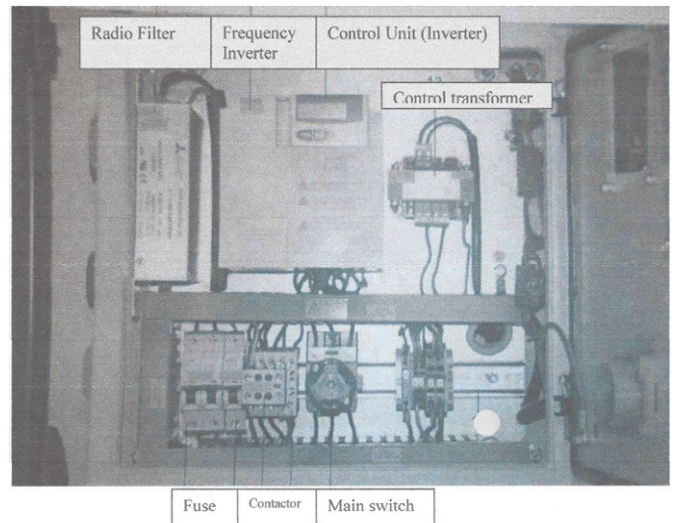
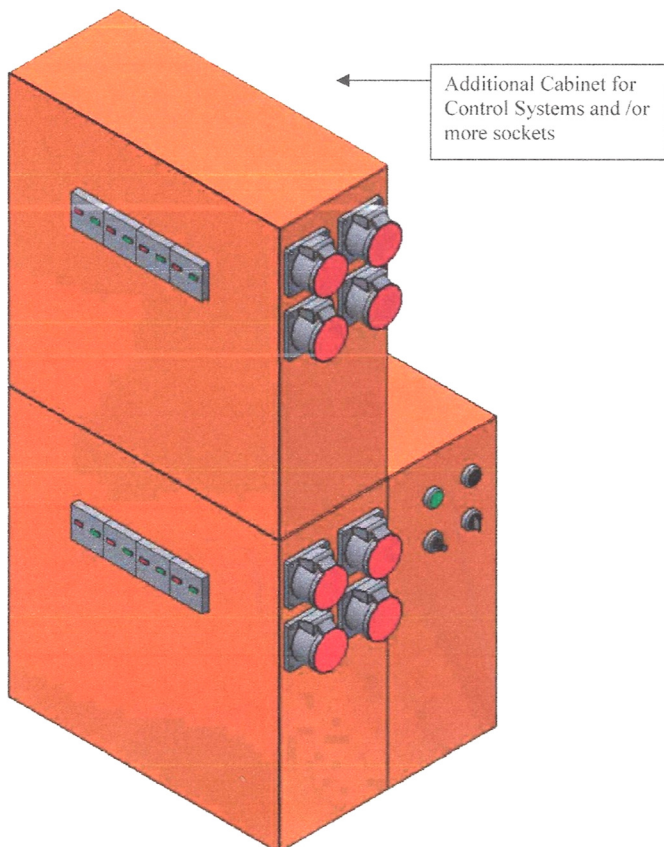
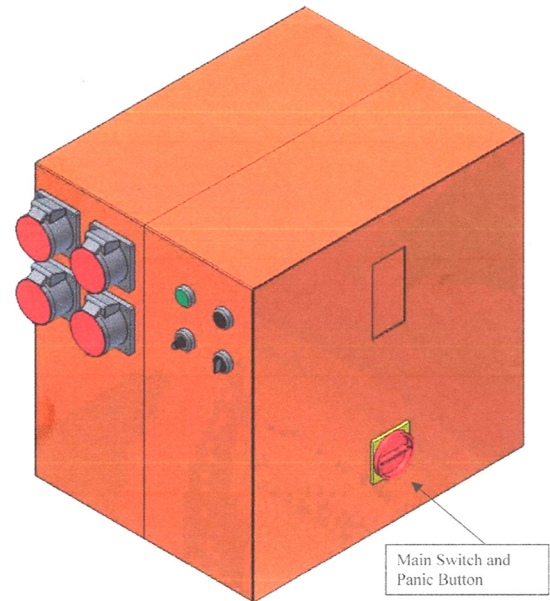
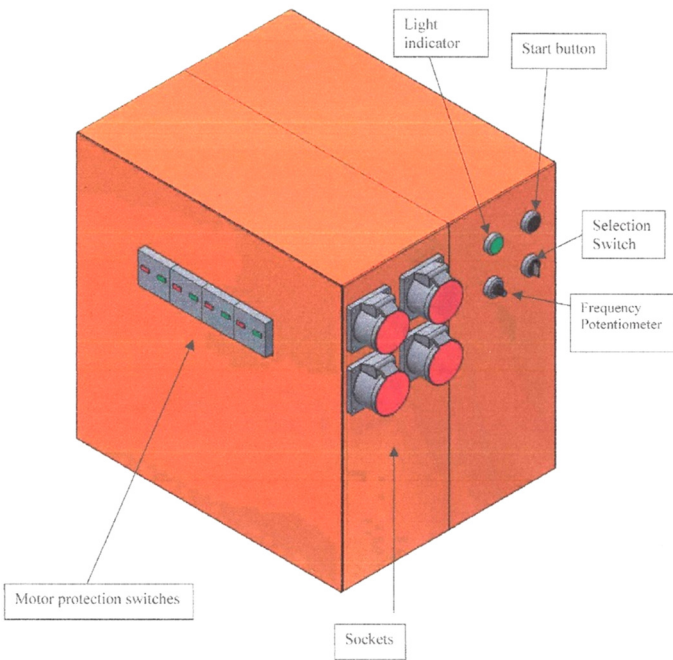
SPECIFICATION

Model	3.5kVA	5.5kVA	7.5kVA	15.0kVA
Reference	EC/EXT3.5	EC/EXT5.5	EC/EXT7.5	EC/EXT15.0
Input Voltage	400Volt /3Phase /50/60 Hertz			
Input Current	9 amp	13 amp	16 amp	26 amp
Input Power	6.5kVA	9.0kVA	11.5kVA	15.0kVA
Input Cable	5 mtr	5 mtr	5 mtr	5 mtr
Output Voltage	42/3/200	42/3/200	42/3/200	42/3/200
Output Current	48 amp	75 amp	143 amp	195 amp
Output Frequency	150-200Hz			
Output Power	3.5kVA	5.5kVA	7.5kVA	15.0kVA
Transformer	Galvanic separated Transformer			
Standard no of Sockets/Amperage	4 x 32 amp	6 x 32 amp	6 x 32 amp	8 x 32 amp
Maximum no of Sockets /Amperage	8 x 32 amp	12 x 32 amp	12 x 32 amp	16 x 32 amp
Standard and Maximum number of sockets above is in standard box. Cabinet size may vary.				
Additional sockets can be fitted if Siemens Programmable Logo Control (PLC) unit fitted at extra cost.				
Protection	IP44			
Cabinet	500 x 500 x 400		600 x 600 x 600	
Amps formula: Power in Watt = Current in Amps * Voltage in Volts * three-phase concatenation factor (1,73) P = C * V * 1,73 or converted to Amperage C = P / V * 1,73				

VIBRATECHNIQUES LTD

20 Cecil Pashley Way, Shoreham Airport, Shoreham by Sea, West Sussex, BN43 5FF

Tel: +44 (0)1273 430977 Fax: +44 (0)1273 430978 Email: sales@vibtec.com Web: www.vibtec.com



VIBRATECHNIQUES LTD

20 Cecil Pashley Way, Shoreham Airport, Shoreham by Sea, West Sussex, BN43 5FF

Tel: +44 (0)1273 430977 Fax: +44 (0)1273 430978 Email: sales@vibtec.com Web: www.vibtec.com

Maximum number of Vibrators that can be used with a given Control Panel



Model		Current amps	Outlets	ITVAF6/300	ITVAF6/600	ITVAF6/1000	ITVAF6/1200	ITVAF6/1220	ITVAF6/1510
				9.5amps	9.5amps	20amps	20amps	23amps	29amps
EC/EXT3.5/4	3.5 kVA	48	4 x 32amp	4	4	2	2	1	1
EC/EXT5.5/4	5.5 kVA	75	4 x 32amp	4	4	3	3	2	2
EC/EXT5.5/6	5.5 kVA	75	6 x 32amp	6	6	3	3	2	2
EC/EXT7.5/4	7.5 kVA	143	4 x 32amp	4	4	4	4	4	4
EC/EXT7.5/6	7.5 kVA	143	6 x 32amp	6	6	4	4	4	4
EC/EXT15.0/6	15.0 kVA	195	6 x 32amp	6	6	6	6	6	6
EC/EXT15.0/8	15.0 kVA	195	8 x 32amp	8	8	8	8	7	6

Not suitable for this Vibrator/ use panel with less Vibrators

IMPORTANT NOTES ON USAGE AND CHOICE OF UNIT

When selecting Control Panel the calculation is relatively simple

Amperage of control panel / number of vibrators x amperage of vibrator

It is a good policy to allow a 10% safety factor

* The safety factor is particularly important if the operators are inexperienced with this type of equipment, it is perfectly operable if the operator is familiar with this sort of equipment.

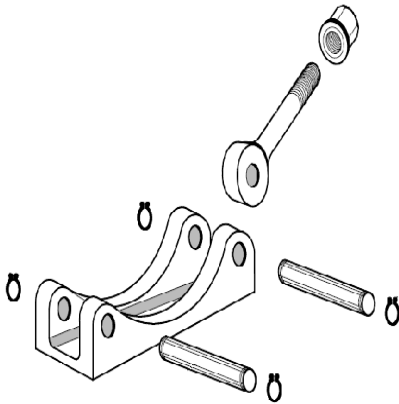
VIBRATECHNIQUES LTD

20 Cecil Pashley Way, Shoreham Airport, Shoreham by Sea, West Sussex, BN43 5FF

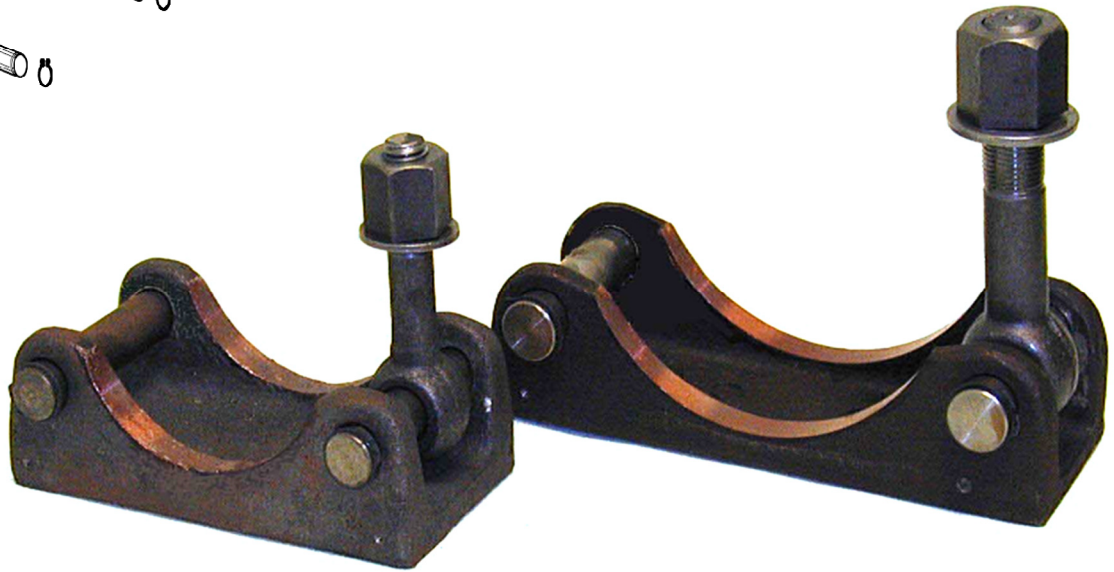
Tel: +44 (0)1273 430977 Fax: +44 (0)1273 430978 Email: sales@vibtec.com Web: www.vibtec.com

QUICK RELEASE BRACKET

Quick Release Weld on Bracket.



- Available in two internal diameters 110 & 160mm
- Reduces the number of Vibrators required on site
- Enables Vibrators to be switched from one location to another
- Easier to fix than foot mounted one nut to tighten
- Better connection between Vibrator to surface via cradle



SPECIFICATION

Type	Length	Width	* Radius	Hole Centres	Weight (Kgs)
	Overall	Overall			
QR 2	180mm	95mm	55mm	-	3.15kgs
QR 4	240mm	86mm	80mm	-	4.75kgs

* When using competitors brackets check radius of bracket, not all competitors brackets are interchangeable.

COMPATABILITY

TYPE	Used on
QR2/QR2P/QR2Q	VAQ 75, VAQ 120, VTHF 6/500 RS
QR4/QR4P/QR4Q	VAQ 2500, VAQ 4000, VAQ 4500, VAQ6000,ITVAF 6/1210 RS, ITVAF 6/1510 RS, ITVAF 9/1110 RS ITVAF 9/1510 RS, ITV-VR/1210 RS, ITV-VR/2010 RS,VTHF 6/1000 RS, VTF 3/800 RS

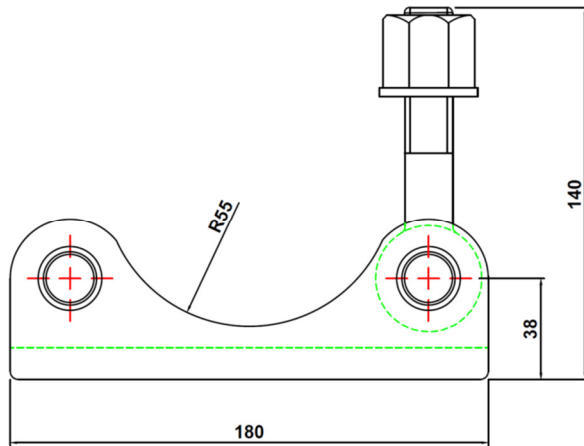
VIBRATECHNIQUES LTD

20 Cecil Pashley Way, Shoreham Airport, Shoreham by Sea, West Sussex, BN43 5FF

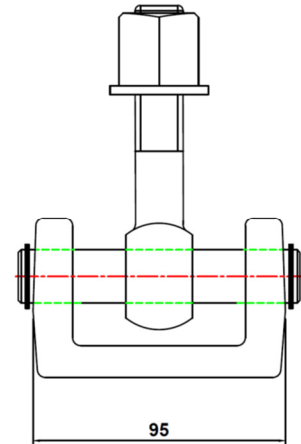
Tel: +44 (0)1273 430977 Fax: +44 (0)1273 430978 Email: sales@vibtec.com Web: www.vibtec.com

QUICK RELEASE BRACKET

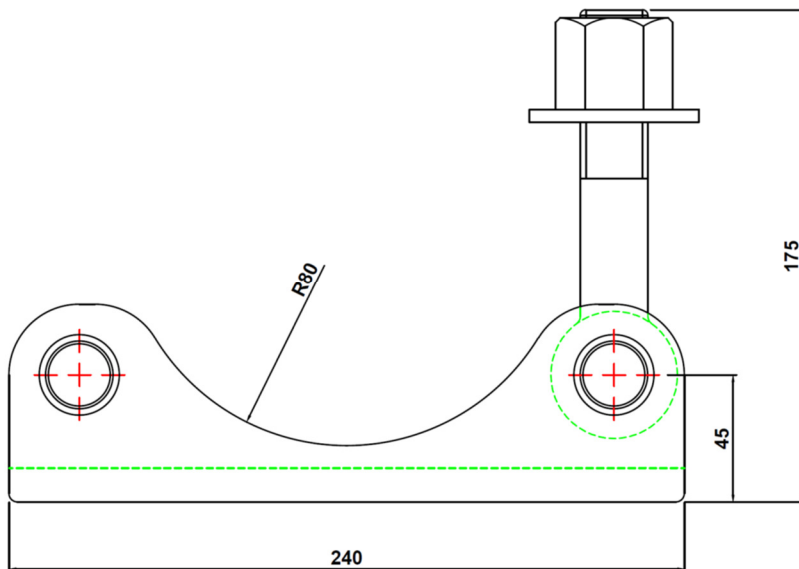
DIMENSIONS



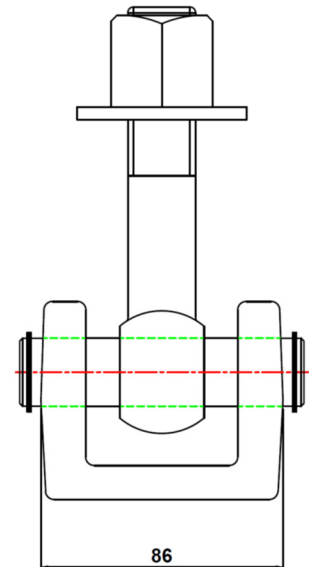
QR2



QR2 Weld On Bracket



QR4



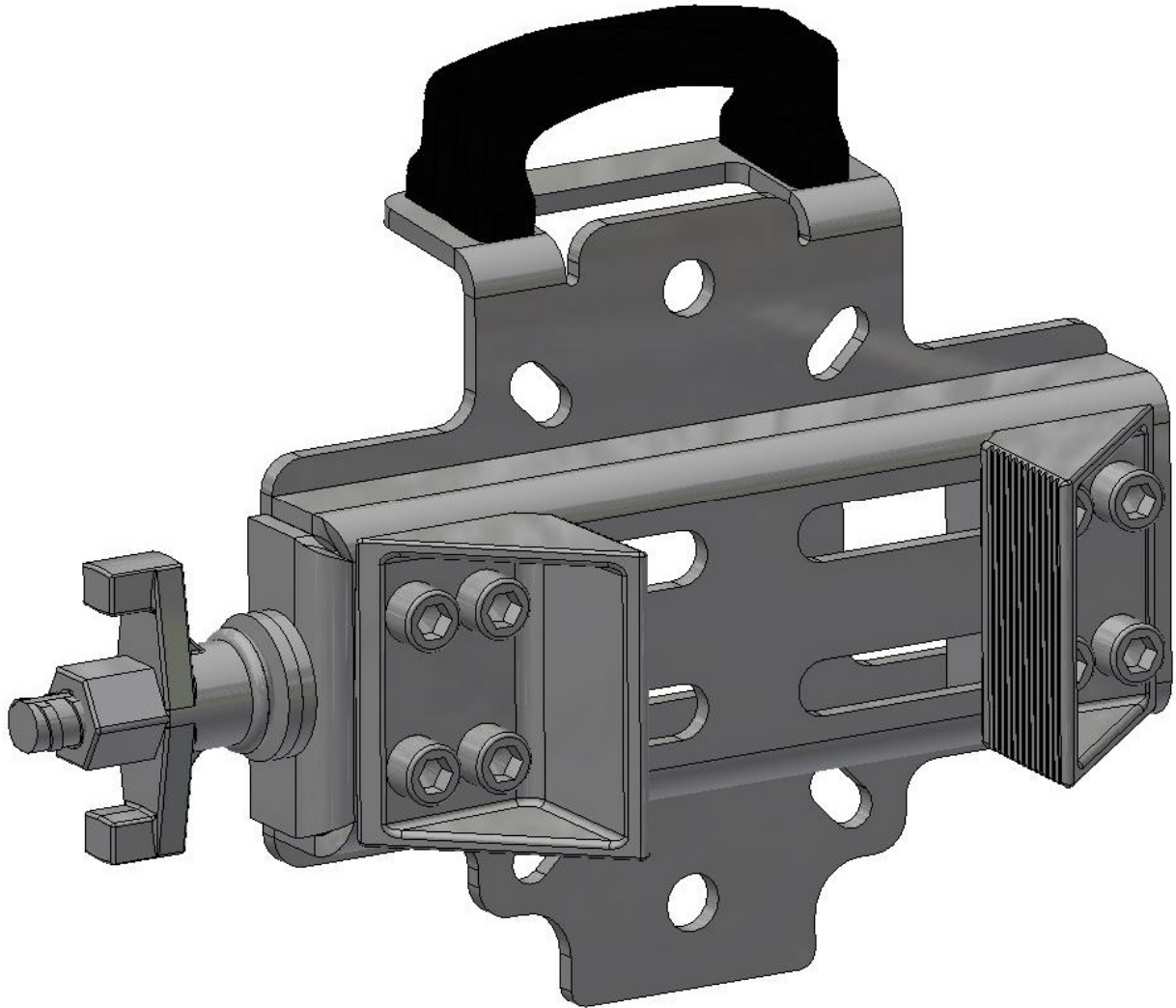
QR4 Weld On Bracket

VIBRATECHNIQUES LTD

20 Cecil Pashley Way, Shoreham Airport, Shoreham by Sea, West Sussex, BN43 5FF

Tel: +44 (0)1273 430977 Fax: +44 (0)1273 430978 Email: sales@vibtec.com Web: www.vibtec.com

VIBRATOR QUICK RELEASE BRACKET FOR FORMWORK Type S



	<p>Suitable for: MVS15/35 MVS15/80 MVS15/100 MVS13/100 MVS13/200 ITVAF6/300</p>		<p>Suitable for: VE418-VE1418 ITVAF6/600 MVS13/300</p>
<p>088004 Formwork Bracket with Adaptor Plate (088003)</p>		<p>088001 Formwork Bracket</p>	

VIBRATECHNIQUES LTD

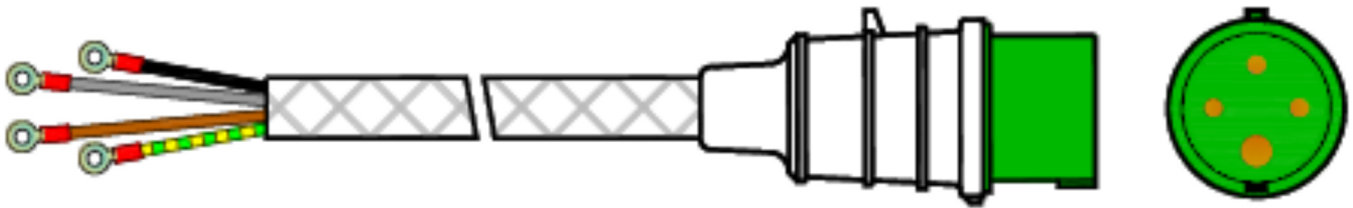
20 Cecil Pashley Way, Shoreham Airport, Shoreham by Sea, West Sussex, BN43 5FF

Tel: +44 (0)1273 430977 Fax: +44 (0)1273 430978 Email: sales@vibtec.com Web: www.vibtec.com

Cable Assemblies-Ring tongue terminals one end only/Green Plug

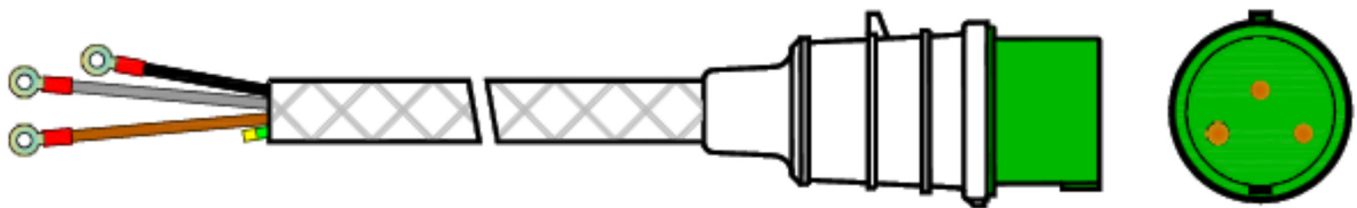
SY Cable supplied in specified length . Standard length ten metres. One end with Green Plug, other end with ring tongue terminals fitted to cable, Cable gland fitted to vibrator. Larger cable can be fitted in hazardous enviroment for added protection. In event of longer length being required the appropriate calculation should be made for voltage drop refer to TM

220/3/200 4 pin



Part No	Plug	Cable Size	Cable Diameter	Maximum Amps	Connections	SY Cable	HO7 Cable (Alternative)	Terminal)	Plug 16amp
012742/10	220/3/200	1.5mm ²	9.3mm	19.0	M4	046723	046442	046384	[PS2092

42/3/200 3 pin



Part No	Plug	Cable Size	Cable Diameter	Maximum Amps	Connections	SY Cable	HO7 Cable (Alternative)	Terminal)	Plug 32amp
012743/2.5/10	42/3/200	2.5mm ²	10.8mm	26.0	M4	046372	046724	046781	046640 [PS2091
012743/2.5/10	42/3/200	2.5mm ²	10.8mm	26	M5	046372	046724	046386	
012743/4.0/10	42/3/200	4.0mm ²	12.7mm	32	M5	046717	046725	046387	

VIBRATECHNIQUES LTD

20 Cecil Pashley Way, Shoreham Airport, Shoreham by Sea, West Sussex, BN43 5FF

Tel: +44 (0)1273 430977 Fax: +44 (0)1273 430978 Email: sales@vibtec.com Web: www.vibtec.com



MVSI

The most extensive range of industrial electric vibrators on the market. Approved for potentially explosive dust atmospheres (ATEX, IECEx, GOST). Range from 0 to 67200 lbs.



MVSI-TS

MVSI industrial electric vibrators with split covers.



MVSI-ACC

MVSI industrial electric vibrators for axial coupling.



MVSI-E

"Ex e" increased safety electric vibrators for potentially explosive atmosphere (ATEX, IECEx, GOST). Range up to 24550 lbs.



MVLS

Low Speed electric industrial vibrators. Range up to 18000 lbs centrifugal force. RPM from 1200 to 500.



CDX

"Ex d" explosion-proof industrial electric vibrators for operation in potentially explosive atmospheres (UL, CSA, ATEX, IECEx, GOST). Range up to 49250 lbs.



MVTX

"Ex d" explosion-proof screen vibrators for operation in potentially explosive atmospheres. Bear UL, cUL, ATEX and IECEx marking. Range up to 17450 lbs.



MVCC

Direct current vibrators (12 or 24 V) designed for continuous duty on mobile machines. Range from 0 to 3350 lbs.



MVSS

Electric industrial vibrators in stainless steel AISI 316L for the chemical, petroleum chemistry, food, pharmaceutical processing sectors. Range from 0 to 9520 lbs.



MICRO

Electric vibrators designed for continuous service in processes where a lower centrifugal force is required. Range from 0 to 143 lbs.



M3

Electric industrial vibrators with multi-holes mounting feet and minimum dimensions. Range up to 684 lbs.



ITV-VR

Variable high frequency electric vibrators with fixed or cradle connection for industrial building sector. Range from 0 to 19800 lbs.



ITVAF

High frequency electric vibrators with fixed or cradle connection for industrial building sector. Range from 0 to 19800 lbs.



VU

Unidirectional linear motion exciters designed for medium and large size vibrating machines. Range up to 6400 in-lbs (102000 lbs).



MTF

Vertical electric vibrators with side flange. Range from 0 to 5750 lbs.



MTF-E

"Ex e" increased safety vertical electric vibrators with side flange for potentially explosive atmosphere (ATEX, IECEx, GOST).



VB

Vertical electric vibrators with double tapered flange. Range from 0 to 11000 lbs.



VB-E

Vertical electric vibrators with side flange. Range from 0 to 5750 lbs.



MVB

Vertical electric vibrators with side flange and shaft projecting on both sides. Range from 0 to 15400 lbs.



MVB-FLC

Vertical electric vibrators with central flange and shaft projecting on both sides. Range from 0 to 15400 lbs.



MVB-E

"Ex e" increased safety vertical electric vibrators with side flange and shaft projecting on both sides, for potentially explosive atmosphere (ATEX, IECEx, GOST).



MVB-E-FLC

"Ex e" increased safety vertical electric vibrators with central flange and shaft projecting on both sides, for potentially explosive atmosphere (ATEX, IECEx, GOST).