



ELECTRIC VIBRATORS

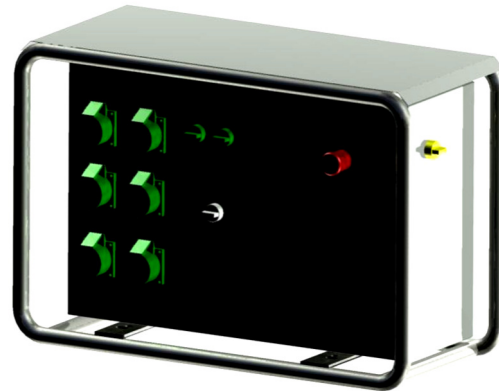
ITVAF

VIBRATOR SYSTEM

SUPPLEMENTARY TO CATALOGUE L0019/EN019

ELECTRONIC CONVERTOR

5.5 kVA Electronic Converter with six 32 amp sockets and two group switches for each bank of three sockets.
Telemecanique 7.5 kw Frequency Converter
Supplied with 10metres of cable and plug.
Input Voltage 400volt/3 Phase/50/60Hz
Choice of output Voltage:
42Volt/3 Phase/200Hz
200Volt/3 Phase/200Hz
Automatic Voltage Ramp-up
Adjustable frequency 0-200 Hz
Emergency Shut Down Switch
Dimensions 520 x 310 x 494mm
Weight 30 kg
Protection IP44
Can also be used to drive internal concrete vibrators



EXTERNAL VIBRATORS

Choice of two vibrators:
ITVAF6/300
Bolt on
ITVAF6/600
Bolt on
Quick Release
Available in two voltages:
42Volt/3 Phase/200Hz
200Volt/3 Phase/200Hz



ITVAF6/300 External Vibrator 2.44kN



ITVAF6/600 External Vibrator 5.98 kN

VIBRATOR BRACKETS

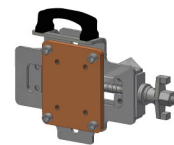
Vibrator Brackets
Quick Release:
Weld on or Bolt on
Shutter Brackets
With hole centres
65 x 106mm
90 x 125mm



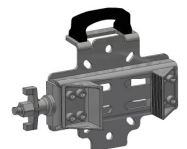
Quick Release Bracket
QR2 Weld on
ITVAF6/600 only



Quick Release Bracket
QR2P Bolt on
ITVAF6/600 only



Formwork Clamp
ITVAF6/300



Formwork Clamp
ITVAF600

PALLETISED STORAGE BOX

Palletised Storage box for all the equipment

1150 x 615 x 640mm 80kg
Robust, 5-lever deadlocks with extra reinforced protection. Unique internal anti-jemmy system prevents the lid being forced open. Multiple external anti-jemmy plates. Robust construction using 2 and 3mm steel. Hydraulic gas arms assist with the lid opening. Unique Slam Stop system prevents the lid closing unexpectedly. Cable pass-through for secure tool charging. Ergonomically designed recessed handles. Forklift skids for easy transportation.



5.5 kVA CONVERTOR WITH ITVAF6/600 42/3/200



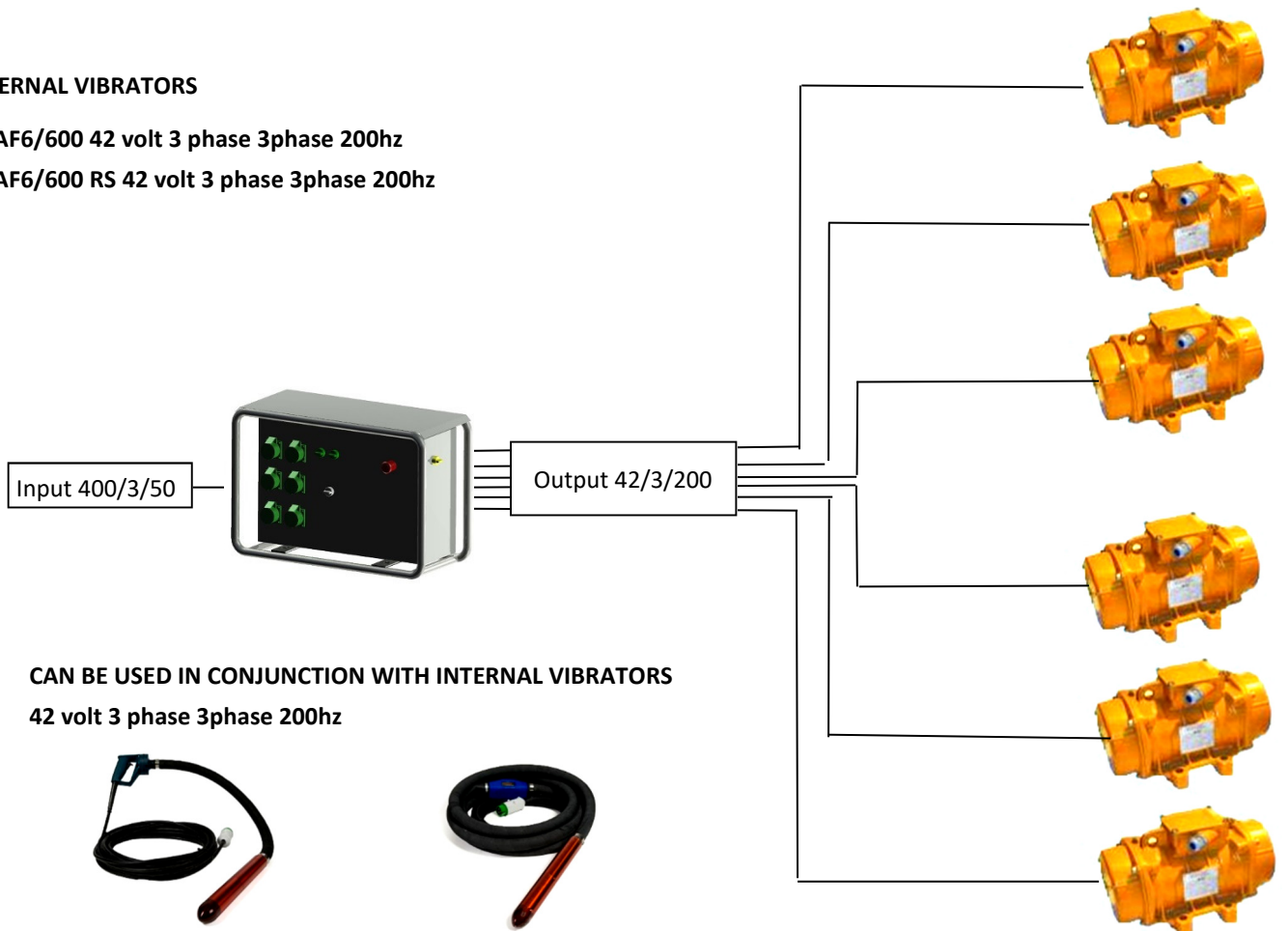
CONVERTOR CONTROLS	
Specification reference	
Front Panel	
Top Green switch	On/Off Switch-Sockets column 1
Lower Green Switch	On/Off Switch-Sockets column 2
White Switch	Adjustable output frequency 0-200Hz
Red Button	Emergency Shut Down
Side Panel	
Yellow (Side Panel)	Main Power Switch

CONVERTOR	
Input Voltage	400volt/3phase /50/60hz
Output Voltage	42volt/3phase/0-200hz
Input Current	13amp
Input Cable	10mtr
Output Current	71amp
Ramp up	Automatic
Output Performance	5.5kVA
Frequency Converter	Telemecanique 5.5kW
Output Sockets	6 x 32amp 3Pin + Earth
Protection	IP44
Dimensions	520 x 310 x 494mm
Weight	30 Kg
Cable, Plugs and Wiring available state requirements	



EXTERNAL VIBRATORS

ITVAF6/600 42 volt 3 phase 3phase 200hz
ITVAF6/600 RS 42 volt 3 phase 3phase 200hz



CAN BE USED IN CONJUNCTION WITH INTERNAL VIBRATORS
42 volt 3 phase 3phase 200hz

5.5 kVA CONVERTOR WITH ITVAF6/300 & 6/600 230/3/200



CONVERTOR CONTROLS

Specification Reference

Front Panel

Top Green switch	On/Off Switch-Sockets column 1
Lower Green Switch	On/Off Switch-Sockets column 2
White Switch	Adjustable output frequency 0-200Hz
Red Button	Emergency Shut Down

Side Panel

Yellow (Side Panel)	Main Power Switch
---------------------	-------------------

CONVERTOR

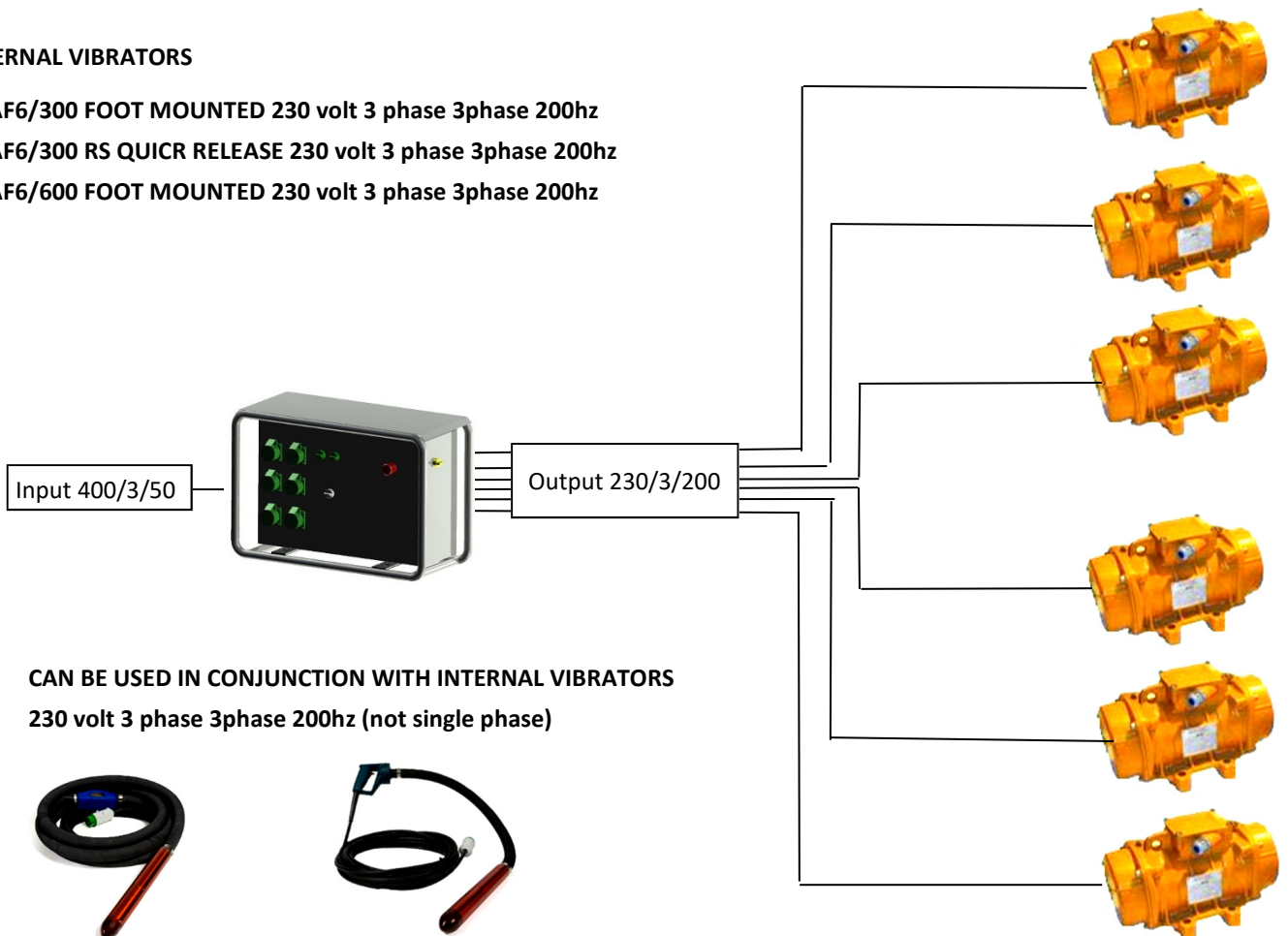
Input Voltage	400volt/3phase /50/60hz
Output Voltage	230volt/3phase/0-200hz
Input Cable	10mtr
Input Current	13amp
Output Current	71amp
Ramp up	Automatic
Output Performance	5.5kVA
Frequency Converter	Telemecanique 5.5kW
Output Sockets	6 x 32amp 3Pin + Earth
Protection	IP44
Dimensions	520 x 310 x 494mm
Weight	30 Kg

Cable, Plugs and Wiring available state requirements



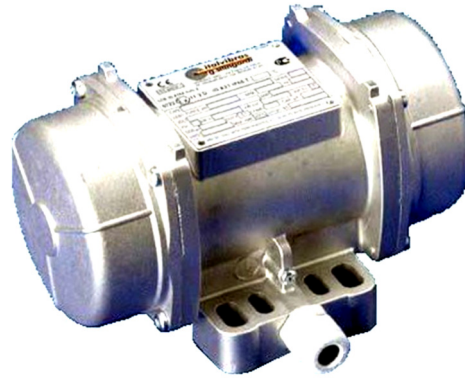
EXTERNAL VIBRATORS

- ITVAF6/300 FOOT MOUNTED 230 volt 3 phase 3phase 200hz
- ITVAF6/300 RS QUICR RELEASE 230 volt 3 phase 3phase 200hz
- ITVAF6/600 FOOT MOUNTED 230 volt 3 phase 3phase 200hz

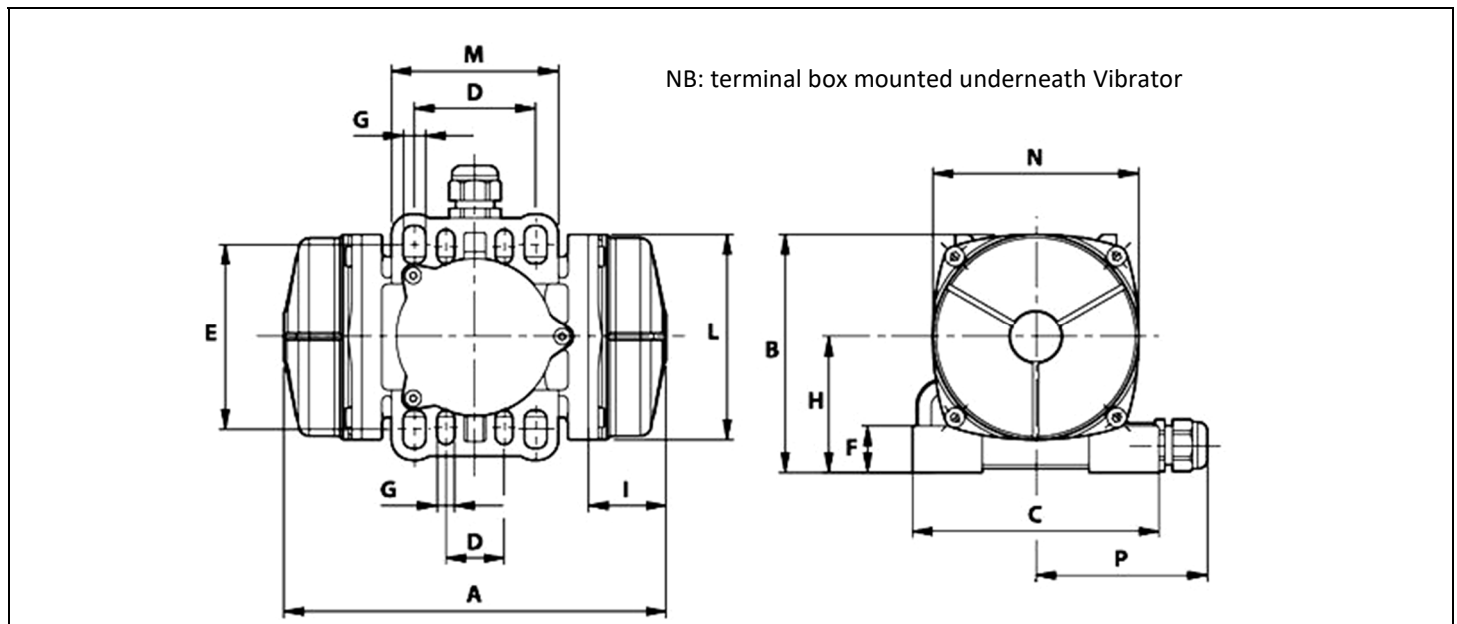


**CAN BE USED IN CONJUNCTION WITH INTERNAL VIBRATORS
230 volt 3 phase 3phase 200hz (not single phase)**

ITVAF6/300 VIBRATOR



Model	Frame Size	Speed RPM	Frequency Hz	Max. Force C/F		Weight kg	Max. Power kW	Max. Current Amps		Is/Ir
				kg	kN			42V	250V	
ITVAF 6/300	AF00	6000	200	248	2.44	4.3	0.35	8.6	1.8	4.50

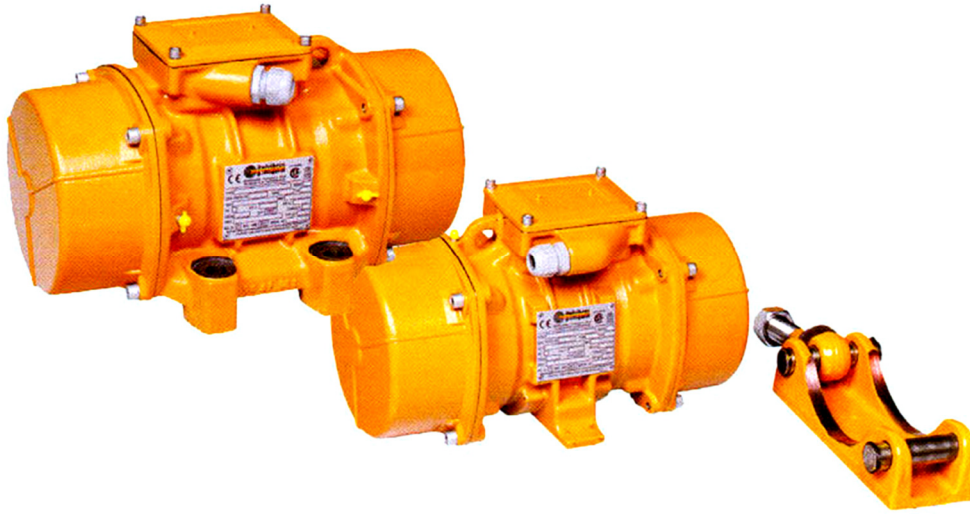


Model	Mounting	A	B	C	Multiholes				F	H	I	L Ø	M	N
					D	E	G Ø	No.						
ITVAF6/300-S2	Foot Mounted	197	123	127	30-60 65-62	85-100 85-106	9	4	27	70	40	106	86	106

Mounting

Foot Mounted	Formwork Clamp ITVAF6/300	Formwork Clamp ITVAF600

ITVAF6/600 VIBRATOR



Model	Frame Size	Speed RPM	Frequency Hz	Max. Force C/F		Weight kg	Max. Power kW	Max. Current Amps		Is/Ir
				kg	kN			42V	250V	
ITVAF 6/600	AF10	6000	200	610	5.98	8	0.5	9.5	1.6	4.50

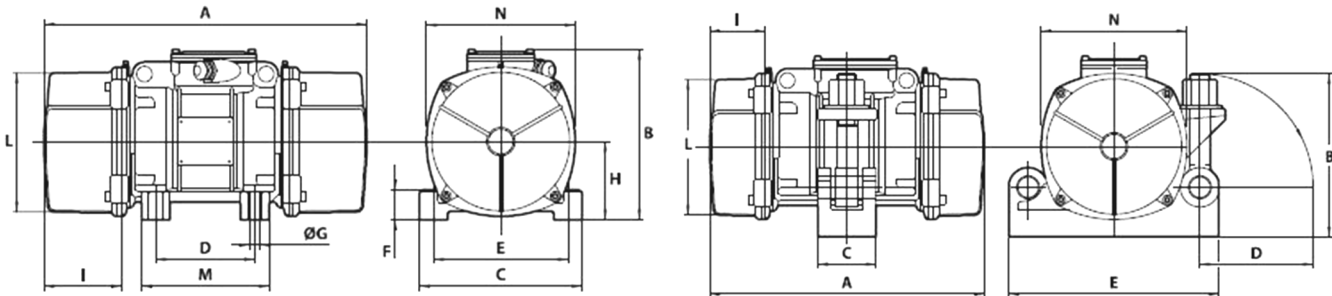


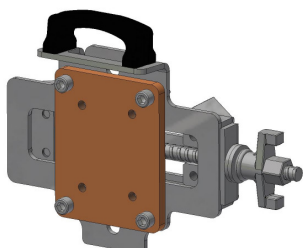
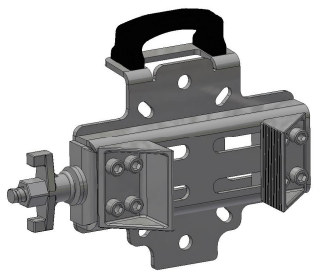


Figure A

Model	Mounting	Fig.	A	B	C	D	E	Holes		F	H	I	L	M	N
								G	No.						
ITVAF 6/600-S02	Foot Mounted	A	255	179	152	90	125	13	4	28	73	54	124	128	141
ITVAF 6/600-RS-S02	QR2/QR2P Bracket	D	255	179	152	90	125					54	124	128	141

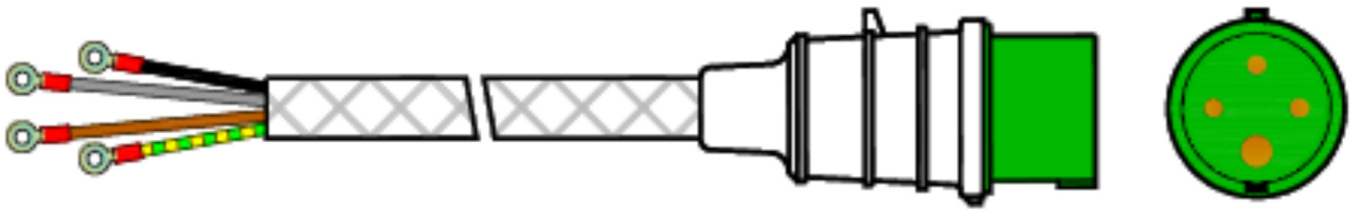
Mounting

			
QR2 Weld on	QR2P Bolt on	Formwork Clamp ITVAF6/300	Formwork Clamp ITVAF600

Cable Assemblies-Ring tongue terminals one end only/Green Plug

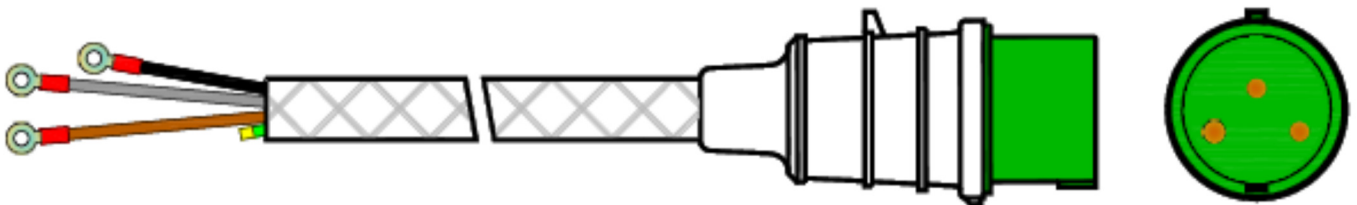
SY Cable supplied in specified length . Standard length ten metres. One end with Green Plug, other end with ring tongue terminals fitted to cable, Cable gland fitted to vibrator. Larger cable can be fitted if in hazardous enviroment for added protection. In event of longer length being required the appropriate calculation should be made for voltage drop refer to TM

220/3/200 4 pin



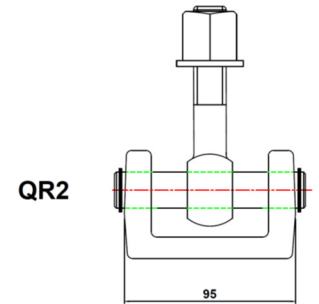
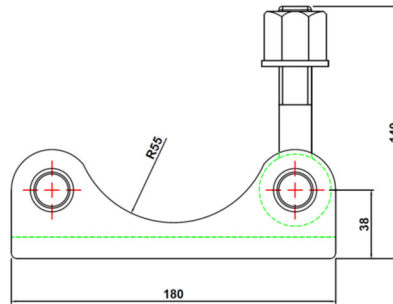
Part No	Plug	Cable Size	Cable Diameter	Maximum Amps	Connections	SY Cable	HO7 Cable (Alternative)	Terminal)	Plug 16amp
012742/10	220/3/200	1.5mm ²	9.3mm	19.0	M4	046723	046442	046384	[PS2092

42/3/200 3 pin



Part No	Plug	Cable Size	Cable Diameter	Maximum Amps	Connections	SY Cable	HO7 Cable (Alternative)	Terminal)	Plug 32amp
012743/10	42/3/200	2.5mm ²	10.8mm	26.0	M4	046372	046724	046781	046640 [PS2091

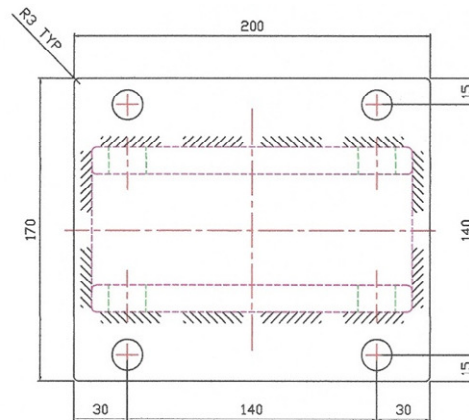
QR2 & QR2P VIBRATOR BRACKET



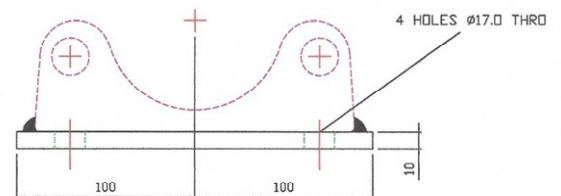
Type	Length	Width	Height	Weight (Kgs)	Used on
QR 2	180	95	60	3.15	VAQ1000-1400 & ITVAF6/600

Clamps ordered separately

If using existing Quick Release Bracket check Compatibility not all competitors brackets have the same Radius



FULLY W/ HOLED M

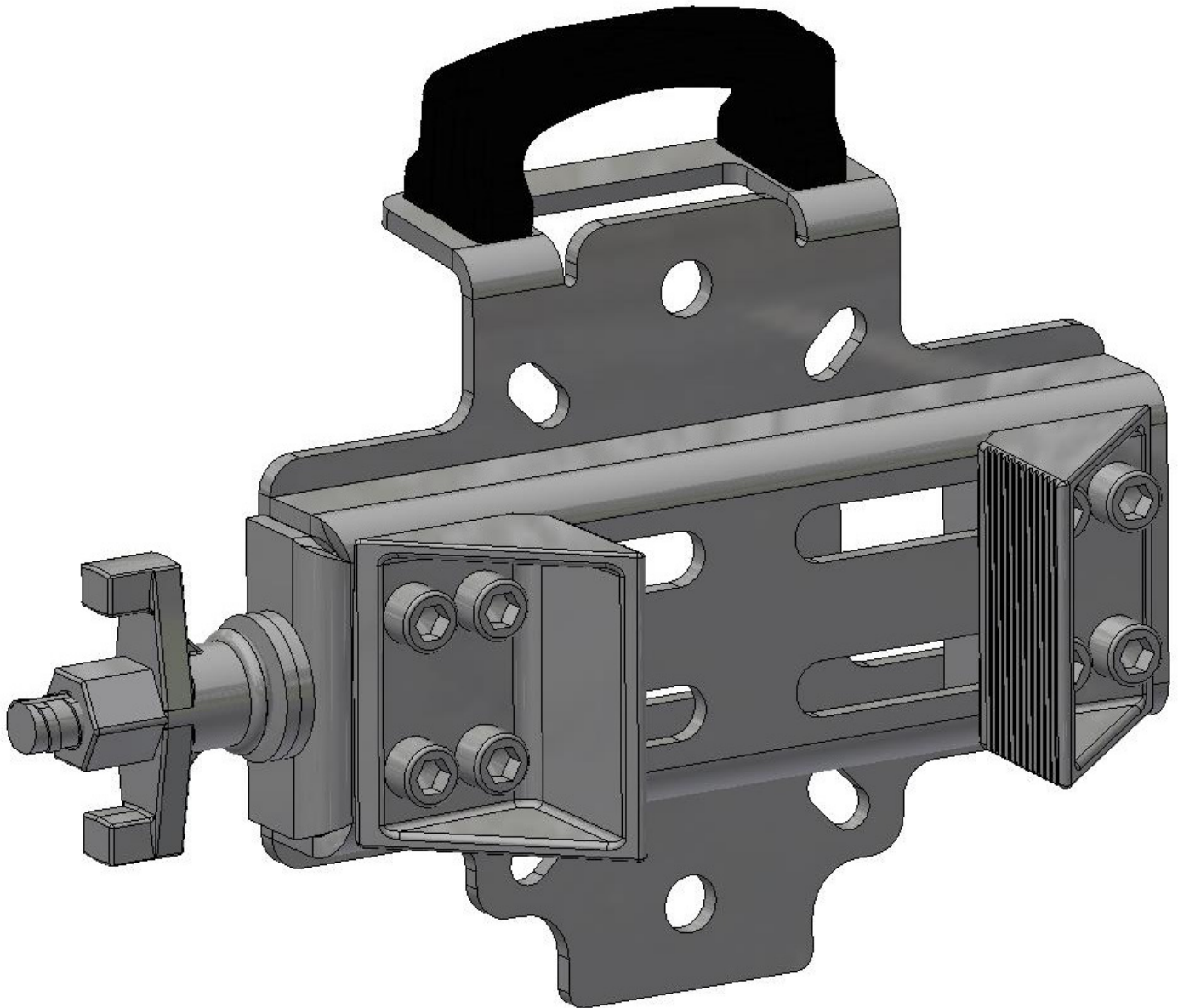


Type	Length	Width	Height	Weight (Kgs)	Used on
QR 2B	200	170	70	5.82	ITVAF6/300

Clamps ordered separately

If using existing Quick Release Bracket check Compatibility not all competitors brackets have the same Radius

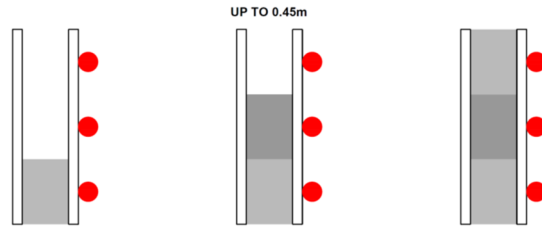
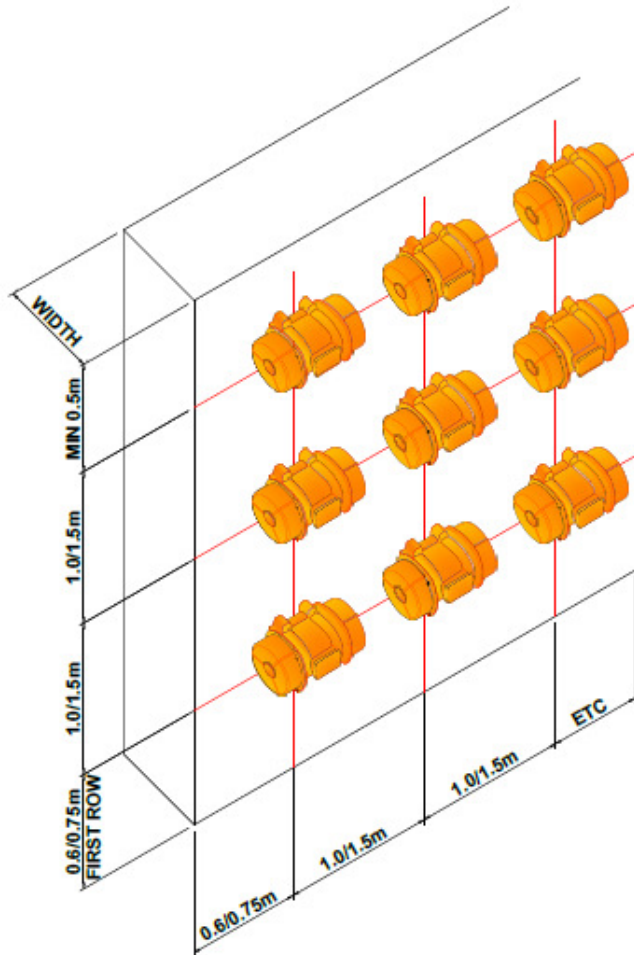
**VIBRATOR QUICK RELEASE BRACKET
FOR FORMWORK Type S**



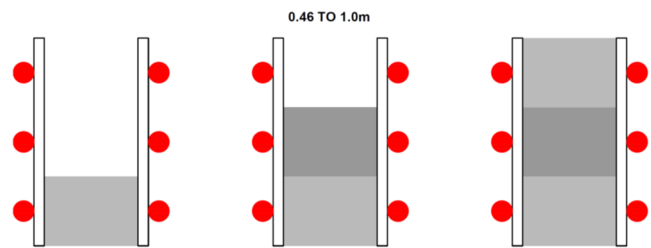
	<p>Suitable for: MVS15/35 MVS15/80 MVS15/100 MVS13/100 MVS13/200 ITVAF6/300</p>		<p>Suitable for: VE418-VE1418 ITVAF6/600 MVS13/300</p>
<p>088004 Formwork Bracket with Adaptor Plate (088003)</p>	<p>088001 Formwork Bracket</p>		

SPACING GUIDE FOR VIBRATORS

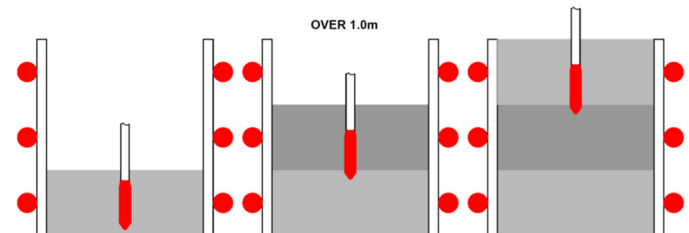
WITH CENTRIFUGAL FORCE OF 800 TO 1400KG (7.84 to 13.72 KN)



Mould width up to 0.45mtr-Vibrate from one side only



Mould width 0.46-1.0mtr-Vibrate from both sides



Mould width over 1 mtr Vibrate from both side, use poker in centre section

Planning the consolidation of concrete should be carried out by skilled personnel in conjunction with site engineers, it essential that the correct formwork and vibrators are use. Factors to take into account must include size of component, rate of concrete delivery, number of times vibrators to be moved. External Vibrators have approximately 50cm depth of penetration so on thicker section they must be used in conjunction with internal vibrators. Concrete pouring takes place in layers, so the vibrators should be mounted in horizontal rows approximately 1.0/1.5 metres apart. A sample pour is always recommended, to test results.

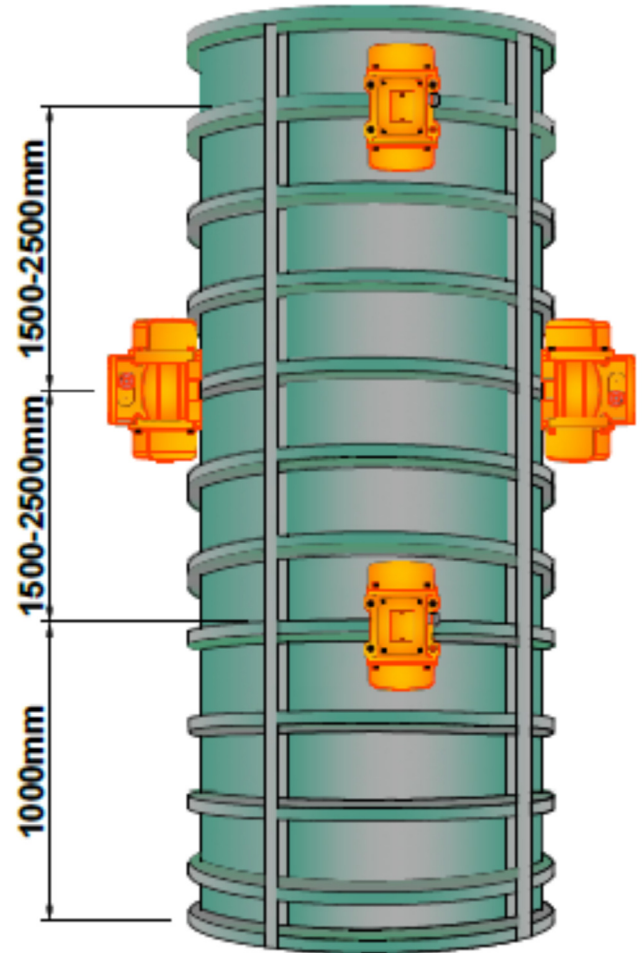
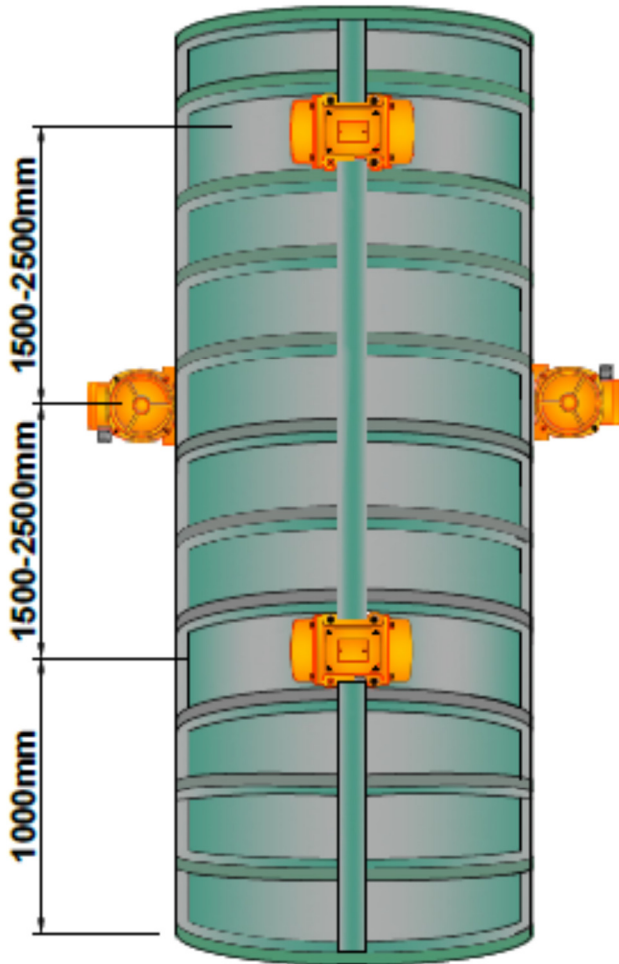
When pouring the concrete this is carried out in layers, the vibration is carried out on each layer until bubbles cease to rise to the surface, then the vibrator can be moved to the next row and the process repeated.

Important

This information is for basic guidance many factors will have effects on spacing and vibrators used, the final set up must be decided in conjunction with planners and site engineers.

SPACING GUIDE FOR VIBRATORS

WITH CENTRIFUGAL FORCE OF 800 TO 1400KG (7.84 to 13.72 KN)



Preferred Mounting Position

This position may cause damage to Mould/Beam

Important

The information and advice have been established following real applications however Vibratechniques Ltd and Italvibras SPA cannot accept any responsibility or liability for a particular project. Varying circumstances and materials can influence the structure when vibrated, a test pour is essential.

This information is for basic guidance many factors will have effects on spacing and vibrators used, the final set up must be decided in conjunction with planners and site engineers.



MVSI

The most extensive range of industrial electric vibrators on the market. Approved for potentially explosive dust atmospheres (ATEX, IECEx, GOST). Range from 0 to 300 kN.



MVSI-TS

MVSI industrial electric vibrators with split covers.



MVSI-ACC

MVSI industrial electric vibrators for axial coupling.



MVSI-E

"Ex e" increased safety electric vibrators for potentially explosive atmosphere (ATEX, IECEx, GOST). Range up to 109 kN.



CDX

"Ex d" explosion-proof industrial electric vibrators for operation in potentially explosive atmospheres (UL, CSA, ATEX, IECEx, GOST). Range up to 220 kN.



MVCC

Direct current vibrators (12 or 24 V.) designed for continuous duty on mobile machines. Range from 0 to 15 kN.



MVSS

Electric industrial vibrators in stainless steel AISI 316L for the chemical, petroleum chemistry, food, pharmaceutical processing sectors. Range from 0 to 42 kN.



MICRO

Electric vibrators designed for continuous service in processes where a lower centrifugal force is required. Range from 0 to 640 N.



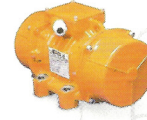
M3

Electric industrial vibrators with multi-holes mounting feet and minimum dimensions. Range up to 3kN.



ITV-VR

Variable high frequency electric vibrators with fixed or cradle connection for industrial building sector. Range from 0 to 90 kN.



ITVAF

High frequency electric vibrators with fixed or cradle connection for industrial building sector. Range from 0 to 90 kN.



VU

Unidirectional linear motion exciters designed for medium and large size vibrating machines. Range up to 73500 kgmm (453kN).



MTF

Vertical electric vibrators with side flange. Range from 0 to 26 kN.



MTF-E

"Ex e" increased safety vertical electric vibrators with side flange for potentially explosive atmosphere (ATEX, IECEx, GOST).



VB

Vertical electric vibrators with double tapered flange. Range from 0 to 49 kN.



VB-E

"Ex e" increased safety vertical electric vibrators with double tapered flange for potentially explosive atmosphere (ATEX, IECEx, GOST).



MVB

Vertical electric vibrators with side flange and shaft projecting on both sides. Range from 0 to 68 kN.



MVB-FLC

Vertical electric vibrators with central flange and shaft projecting on both sides. Range from 0 to 68 kN.



MVB-E

"Ex e" increased safety vertical electric vibrators with side flange and shaft projecting on both sides, for potentially explosive atmosphere (ATEX, IECEx, GOST).



MVB-E-FLC

"Ex e" increased safety vertical electric vibrators with central flange and shaft projecting on both sides, for potentially explosive atmosphere (ATEX, IECEx, GOST).

VIBTEC

VIBRATECHNIQUES LTD

Vibration Solutions