

14WV VIBRATOR SYSTEM WITH CONVERTOR

110 Volt 1 Phase 50/60 Hz or 230 Volt 1 Phase 50/60 Hz Input
with ITVAF6/300 and ITVAF6/600 with 230/3/200 Vibrator



ELECTRIC VIBRATORS

ITVAF

14WV
VIBRATOR SYSTEM

ALSO REF TO CATALOGUE L0019/EN019

VIBRATECHNIQUES LTD

20 Cecil Pashley Way, Shoreham Airport, Shoreham by Sea, West Sussex, BN43 5FF

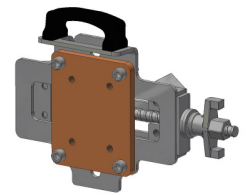
Tel: +44 (0)1273 430977 Fax: +44 (0)1273 430978 Email: sales@vibtec.com Web: www.vibtec.com

14WV VIBRATOR SYSTEM WITH CONVERTOR

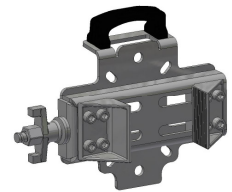
110 Volt 1 Phase 50/60 Hz or 230 Volt 1 Phase 50/60 Hz Input
with ITVAF6/300 and ITVAF6/600 with 230/3/200 Vibrator



Foot Mounted or
Quick Release Vibrator
ITVAF6/300 & ITVAF6/600



Formwork Clamp
ITVAF6/300



Formwork Clamp
ITVAF6/600



QR2 Weld on Bracket
ITVAF6/600 only



QR2 Bolt on Bracket
ITVAF6/600 only

The 14WV system incorporates a Rugged Invertor with External Vibrator.
Eliminates the need for a Convertor.

External Vibrator

Specially designed casing for high speed duty
IP66 enclosure and Insulation Class F (155°C)
Ambient temperature from -20°C to +40°C
Fully adjustable eccentric weights, easily accessible
Foot Mounted or Quick Release Bracket

Integrated Invertor

110 Volt 1 Phase 50/60 Hz or 230 Volt 1 Phase 50/60 Hz Input
Rugged Heavy Duty Aluminium Box
15 metre cable from Invertor to Vibrator
Total length including Invertor and Power Cable 17 metre
Invertor Maximum 10 amp output
Also available with Vibrating Pokers
High Output
Protected with thermal, phase failure and overload protection
Weatherproof to IP64
Heavy Duty Short Cable Gland / Connector to avoid damage to Box

Mounting Options

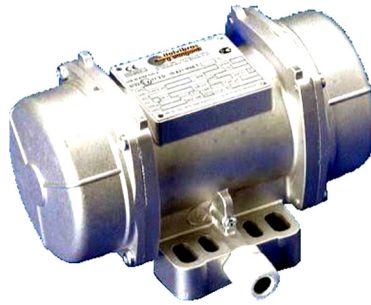
Foot Mounted
Quick Release QR2 Bracket
Metal or Wood Formwork Clamp

VIBRATECHNIQUES LTD

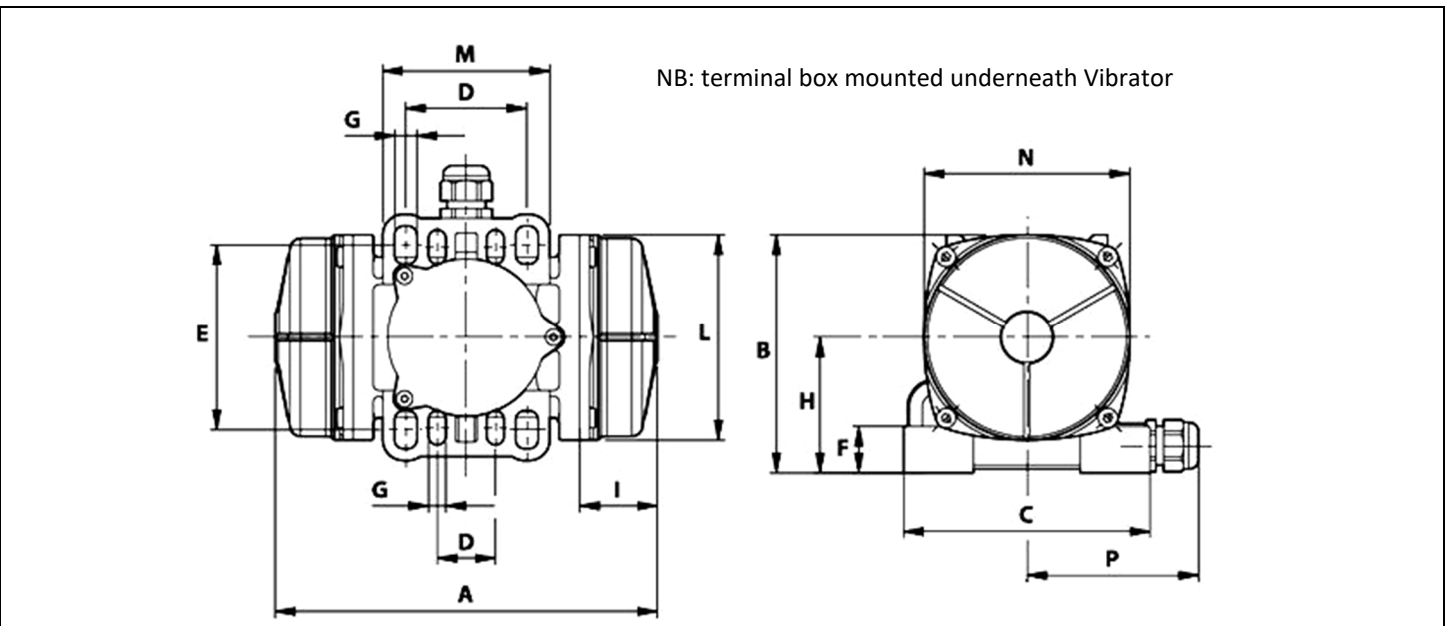
20 Cecil Pashley Way, Shoreham Airport, Shoreham by Sea, West Sussex, BN43 5FF

Tel: +44 (0)1273 430977 Fax: +44 (0)1273 430978 Email: sales@vibtec.com Web: www.vibtec.com

ITVAF6/300 VIBRATOR

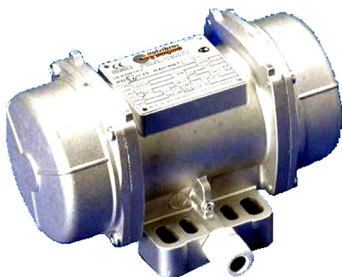


Model	Frame Size	Speed RPM	Frequency Hz	Max. Force C/F		Weight kg	Max. Power kW	Max. Current Amps		Is/Ir
				kg	kN			42V	250V	
ITVAF 6/300	AF00	6000	200	248	2.44	4.3	0.35		1.8	4.50

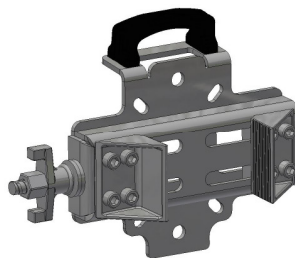


Model	Mounting	A	B	C	Multiholes				F	H	I	L Ø	M	N
					D	E	G Ø	No.						
ITVAF6/300-S2	Foot Mounted	197	123	127	30-60 65-62	85-100 85-106	9	4	27	70	40	106	86	106

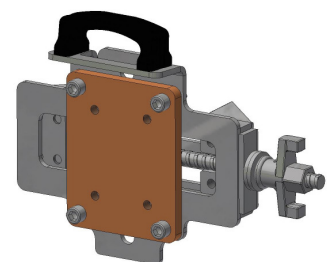
Mounting



Foot Mounted Vibrator

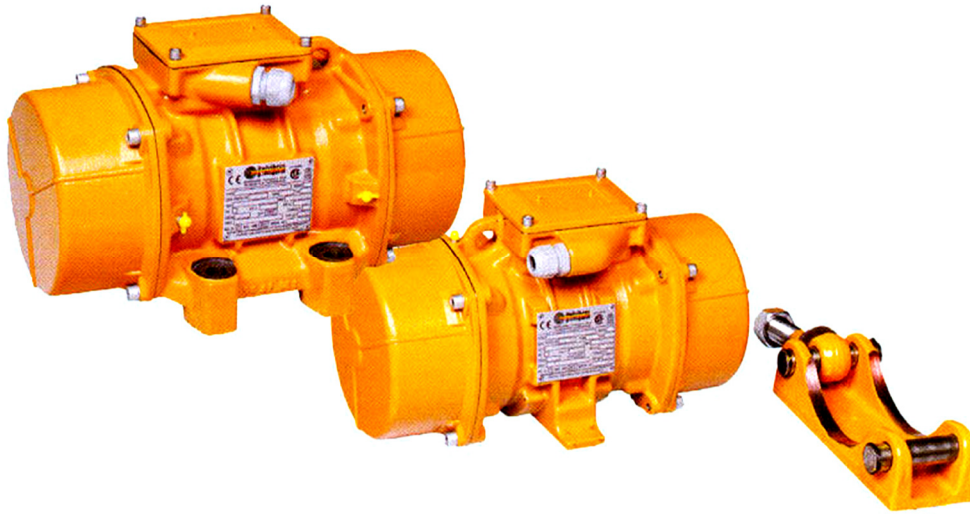


Formwork Clamp 088001



Formwork Clamp 088004

ITVAF6/600 VIBRATOR



Model	Frame Size	Speed RPM	Frequency Hz	Max. Force C/F		Weight kg	Max. Power kW	Max. Current Amps		Is/Ir
				kg	kN			42V	250V	
ITVAF 6/600	AF10	6000	200	610	5.98	8	0.5	9.5	1.6	4.50

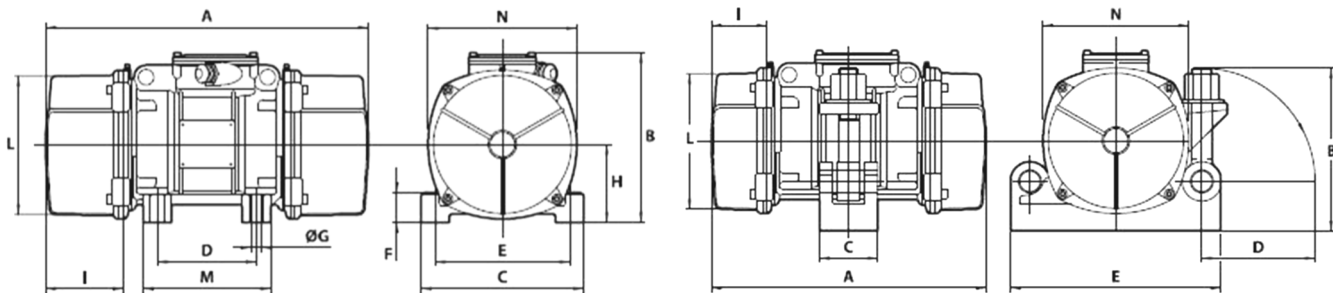


Figure A

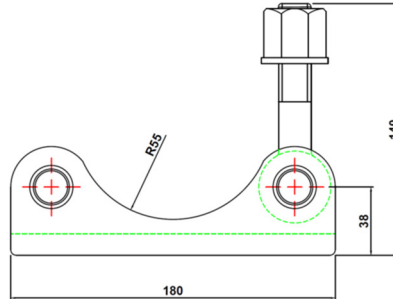
Figure D

Model	Mounting	Fig.	A	B	C	D	E	Holes		F	H	I	L	M	N
								G	No.						
ITVAF 6/600-S02	Foot Mounted	A	255	179	152	90	125	13	4	28	73	54	124	128	141
ITVAF 6/600-RS-S02	QR2/QR2b Bracket	D	255	179	152	90	125					54	124	128	141

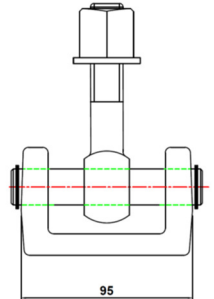
Mounting

QR2 Weld on Bracket	QR2B Bolt on Bracket	Formwork Clamp 088001	Formwork Clamp 088004

QR2 & QR2P VIBRATOR BRACKET



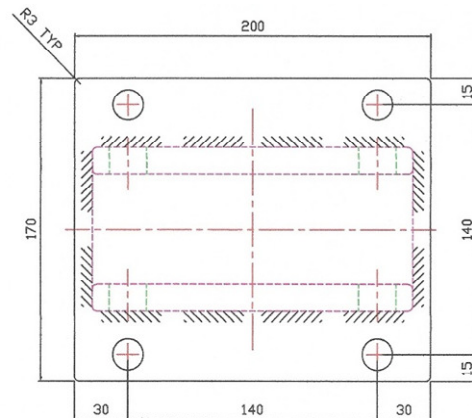
QR2



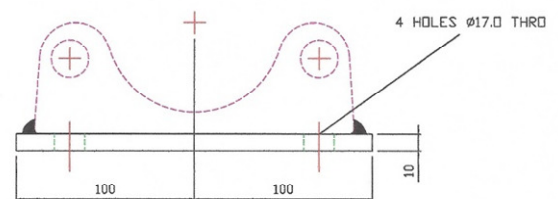
Type	Length	Width	Height	Weight (Kgs)	Used on
QR 2	180	95	60	3.15	VAQ1000-1400 & ITVAF6/600

Clamps ordered separately

If using existing Quick Release Bracket check Compatibility not all competitors brackets have the same Radius



FULLY W/ HOLED M



Type	Length	Width	Height	Weight (Kgs)	Used on
QR 2B	200	170	70	5.82	ITVAF6/300

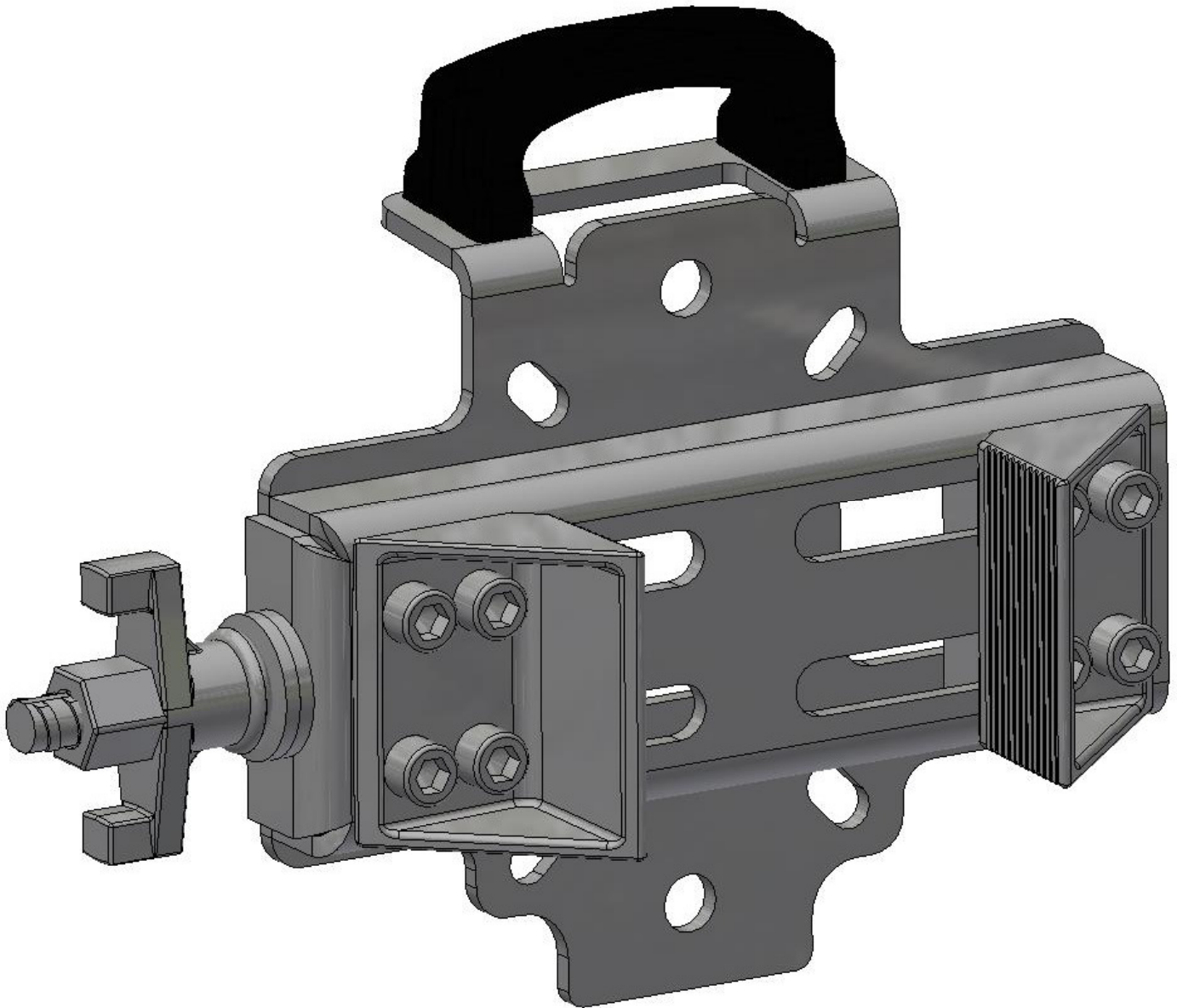
Clamps ordered separately

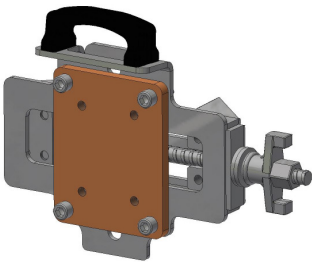
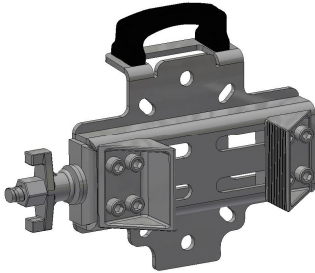
If using existing Quick Release Bracket check Compatibility not all competitors brackets have the same Radius

14WV VIBRATOR SYSTEM WITH CONVERTOR

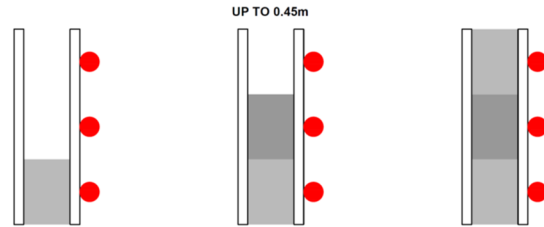
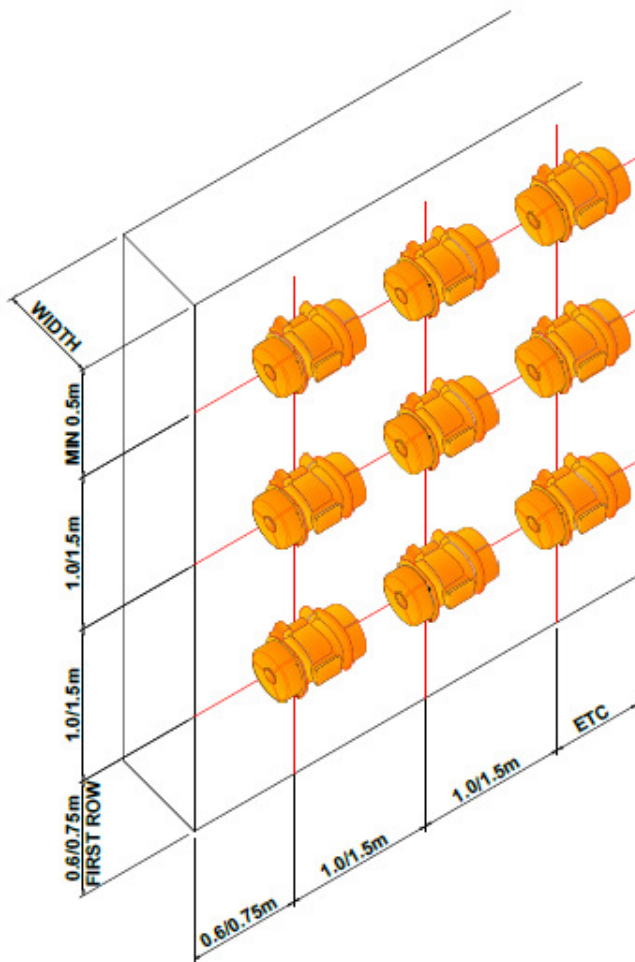
110 Volt 1 Phase 50/60 Hz or 230 Volt 1 Phase 50/60 Hz Input
with ITVAF6/300 and ITVAF6/600 with 230/3/200 Vibrator

VIBRATOR QUICK RELEASE BRACKET FOR FORMWORK Type S

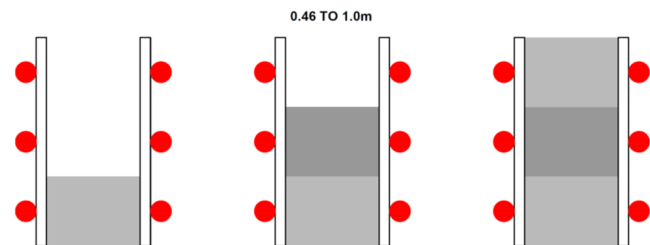


	<p>Suitable for: MVS15/35 MVS15/80 MVS15/100 MVS3/100 MVS3/200 ITVAF6/300</p>		<p>Suitable for: VE418-VE1418 ITVAF6/600 MVS3/300</p>
<p>088004 Formwork Bracket with Adaptor Plate (088003)</p>		<p>088001 Formwork Bracket</p>	

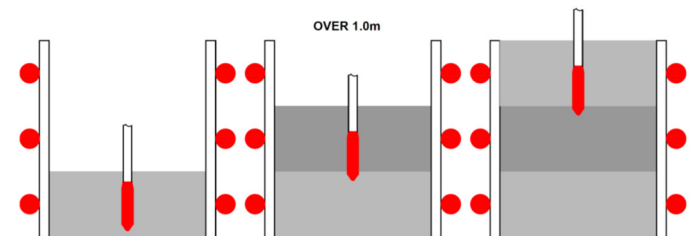
SPACING GUIDE FOR VIBRATORS WITH CENTRIFUGAL FORCE OF 800 TO 1400KG (7.84 to 13.72 KN)



Mould width up to 0.45mtr-Vibrate from one side only



Mould width 0.46-1.0mtr-Vibrate from both sides



Mould width over 1 mtr Vibrate from both side, use poker in

Planning the consolidation of concrete should be carried out by skilled personnel in conjunction with site engineers, it essential that the correct formwork and vibrators are use. Factors to take into account must include size of component, rate of concrete delivery, number of times vibrators to be moved. External Vibrators have approximately 50cm depth of penetration so on thicker section they must be used in conjunction with internal vibrators. Concrete pouring takes place in layers, so the vibrators should be mounted in horizontal rows approximately 1.0/1.5 metres apart. A sample pour is always recommended, to test results.

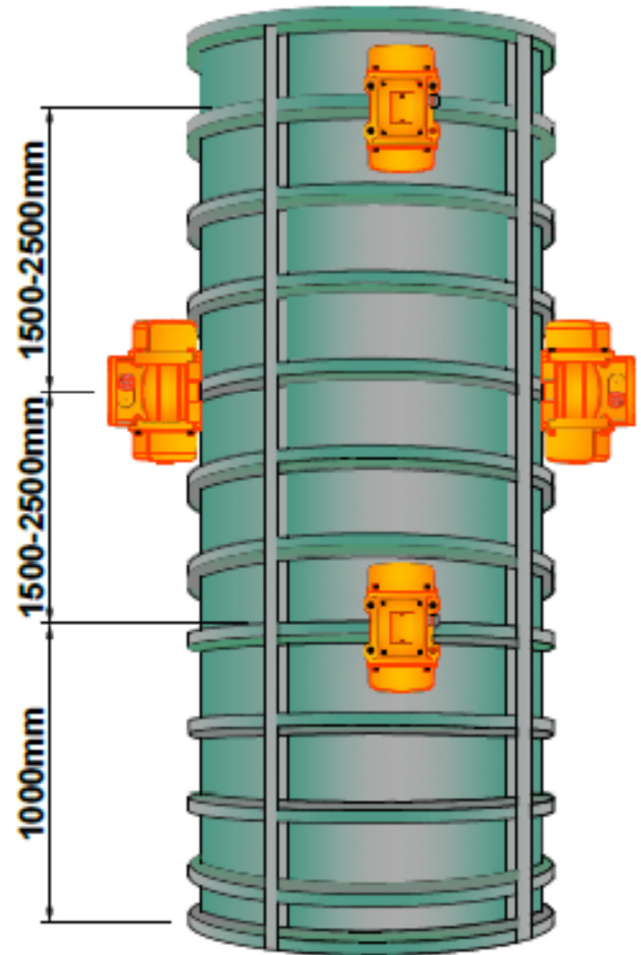
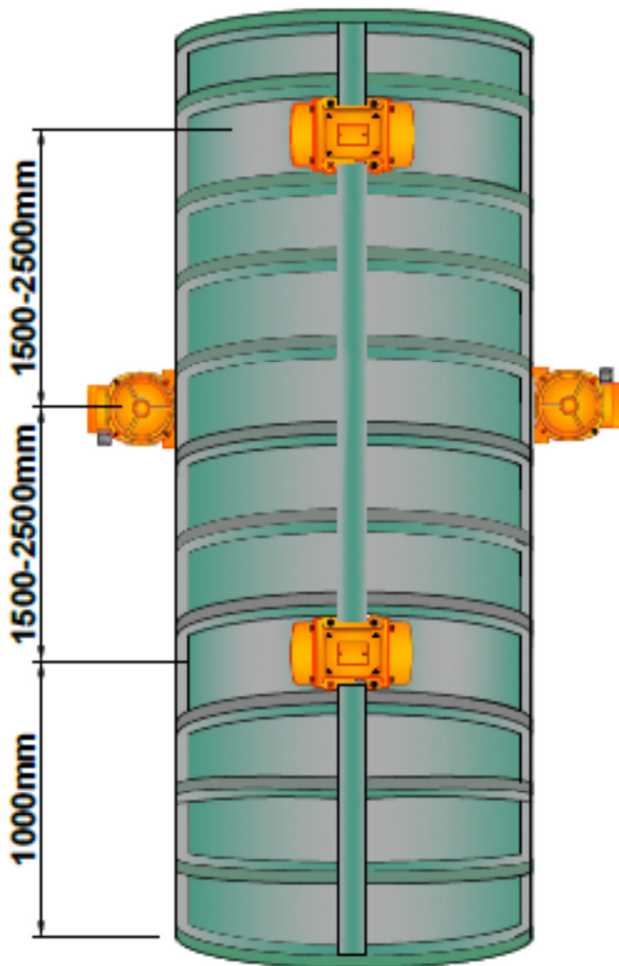
When pouring the concrete this is carried out in layers, the vibration is carried out on each layer until bubbles cease to rise to the surface, then the vibrator can be moved to the next row and the process repeated.

Important

This information is for basic guidance many factors will have effects on spacing and vibrators used, the final set up must be decided in conjunction with planners and site engineers.

SPACING GUIDE FOR VIBRATORS

WITH CENTRIFUGAL FORCE OF 800 TO 1400KG (7.84 to 13.72 KN)



Preferred Mounting Position

This position may cause damage to Mould/Beam

Important

The information and advice have been established following real applications however Vibratechniques Ltd and Italvibras SPA cannot accept any responsibility or liability for a particular project. Varying circumstances and materials can influence the structure when vibrated, a test pour is essential.

This information is for basic guidance many factors will have effects on spacing and vibrators used, the final set up must be decided in conjunction with planners and site engineers.



MVSI

The most extensive range of industrial electric vibrators on the market. Approved for potentially explosive dust atmospheres (ATEX, IECEx, GOST). Range from 0 to 67200 lbs.



MVSI-TS

MVSI industrial electric vibrators with split covers.



MVSI-ACC

MVSI industrial electric vibrators for axial coupling.



MVSI-E

"Ex e" increased safety electric vibrators for potentially explosive atmosphere (ATEX, IECEx, GOST). Range up to 24550 lbs.



MVLS

Low Speed electric industrial vibrators. Range up to 18000 lbs centrifugal force. RPM from 1200 to 500.



CDX

"Ex d" explosion-proof industrial electric vibrators for operation in potentially explosive atmospheres (UL, CSA, ATEX, IECEx, GOST). Range up to 49250 lbs.



MVTX

"Ex d" explosion-proof screen vibrators for operation in potentially explosive atmospheres. Bear UL, cUL, ATEX and IECEx marking. Range up to 17450 lbs.



MVCC

Direct current vibrators (12 or 24 V) designed for continuous duty on mobile machines. Range from 0 to 3350 lbs.



MVSS

Electric industrial vibrators in stainless steel AISI 316L for the chemical, petroleum chemistry, food, pharmaceutical processing sectors. Range from 0 to 9520 lbs.



MICRO

Electric vibrators designed for continuous service in processes where a lower centrifugal force is required. Range from 0 to 143 lbs.



M3

Electric industrial vibrators with multi-holes mounting feet and minimum dimensions. Range up to 684 lbs.



ITV-VR

Variable high frequency electric vibrators with fixed or cradle connection for industrial building sector. Range from 0 to 19800 lbs.



ITVAF

High frequency electric vibrators with fixed or cradle connection for industrial building sector. Range from 0 to 19800 lbs.



VU

Unidirectional linear motion exciters designed for medium and large size vibrating machines. Range up to 6400 in-lbs (102000 lbs).



MTF

Vertical electric vibrators with side flange. Range from 0 to 5750 lbs.



MTF-E

"Ex e" increased safety vertical electric vibrators with side flange for potentially explosive atmosphere (ATEX, IECEx, GOST).



VB

Vertical electric vibrators with double tapered flange. Range from 0 to 11000 lbs.



VB-E

Vertical electric vibrators with side flange. Range from 0 to 5750 lbs.



MVB

Vertical electric vibrators with side flange and shaft projecting on both sides. Range from 0 to 15400 lbs.



MVB-FLC

Vertical electric vibrators with central flange and shaft projecting on both sides. Range from 0 to 15400 lbs.



MVB-E

"Ex e" increased safety vertical electric vibrators with side flange and shaft projecting on both sides, for potentially explosive atmosphere (ATEX, IECEx, GOST).



MVB-E-FLC

"Ex e" increased safety vertical electric vibrators with central flange and shaft projecting on both sides, for potentially explosive atmosphere (ATEX, IECEx, GOST).