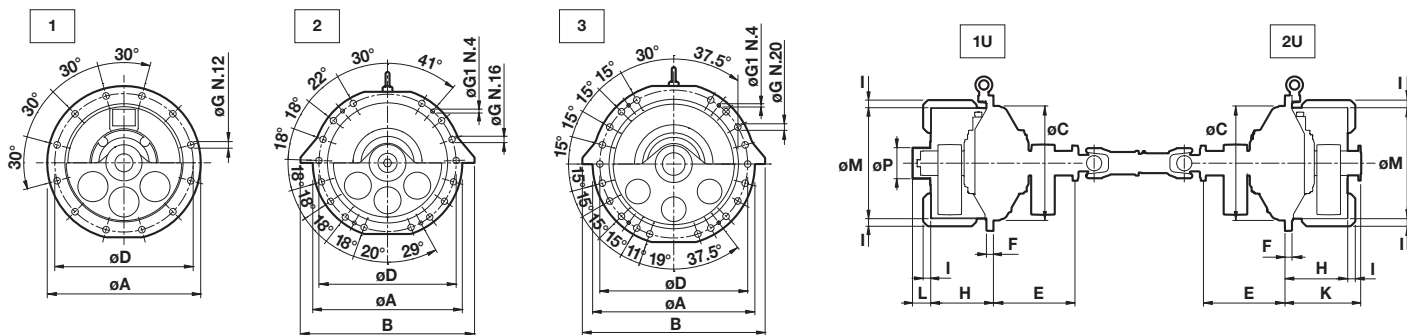


DESCRIPTION				SPECIFICATIONS						
Code	Execution	Type	SIZE	Weights Setting	Static moment kgmm	Max RPM	Centrifugal force		Weight kg	Drive Motor Rating kW
							kg	kN		
0605043	1U	<b>VR 5000/6-S08</b>	280	Min	4294	1500	<b>10800</b>	<b>106</b>	143+143	5,5
0605044	2U			Max	9693	1000	<b>10837</b>	<b>106</b>	171+171	
0605048	1U	<b>VR 8000/6-S08</b>	297	Min	8225	1600	<b>23525</b>	<b>231</b>	238+238	11
0605049	2U			Max	15545	1213	<b>25560</b>	<b>251</b>	271+271	
0605046	1U	<b>VR 10000/6-S08</b>	297	Min	10410	1444	<b>24260</b>	<b>238</b>	255+255	11
0605047	2U			Max	19700	1094	<b>26360</b>	<b>259</b>	296+296	
0605050	1U	<b>VR 11500/6-S08</b>	297	Min	12065	1354	<b>24730</b>	<b>243</b>	270+270	15
0605051	2U			Max	22875	1000	<b>25580</b>	<b>251</b>	318+318	
0605052	1U	<b>VR 14000/6-S08</b>	310	Min	17715	1334	<b>35220</b>	<b>346</b>	374+374	15
0605053	2U			Max	28045	1092	<b>37400</b>	<b>367</b>	415+415	
0605054	1U	<b>VR 17500/6-S08</b>	310	Min	18685	1303	<b>35470</b>	<b>348</b>	382+382	18,5
0605055	2U			Max	35175	1000	<b>39300</b>	<b>386</b>	450+450	
0605056	1U	<b>VR 19000/8-S08</b>	310	Min	20375	1255	<b>35870</b>	<b>352</b>	393+393	15 (8 poli)
0605057	2U			Max	38040	957	<b>38940</b>	<b>382</b>	465+465	
0605058	1U	<b>VR 27500/6-S08</b>	320	Min	39570	1074	<b>51030</b>	<b>501</b>	632+632	30
0605059	2U			Max	55155	980	<b>59200</b>	<b>581</b>	680+680	
0605060	1U	<b>VR 37000/8-S08</b>	320	Min	43580	1030	<b>51680</b>	<b>507</b>	659+659	30 (8 poli)
0605061	2U			Max	73440	820	<b>55200</b>	<b>542</b>	750+750	

\* Working moment = 2 x static moment.



DIMENSIONAL SPECIFICATIONS (mm)

Type	Ref.	Fixing						E	F	H	I	K	L	$\phi M$	$\phi P$
		$\phi A$	B	$\phi C$	$\phi D$	$\phi G$	$\phi G1$								
VR 5000/6-S08	1	510	-	400	460	22	-	273	25	202	33	252	67	415	97
VR 8000/6-S08	2	610	710	490	560	26	16	329	30	248	33	305	78	473	133
VR 10000/6-S08	2	610	710	490	560	26	16	349	30	268	33	324	78	473	133
VR 11500/6-S08	2	610	710	490	560	26	16	364	30	286	33	339	78	473	133
VR 14000/6-S08	2	610	710	490	560	26	16	415	30	330	33	390	81	508	140
VR 17500/6-S08	2	610	710	490	560	26	16	415	30	330	33	390	81	508	140
VR 19000/8-S08	2	610	710	490	560	26	16	415	30	330	33	390	81	508	140
VR 27500/6-S08	3	790	890	630	720	32	16	464	35	366	33	432	83	620	163
VR 37000/8-S08	3	790	890	630	720	32	16	464	35	366	33	432	83	620	163