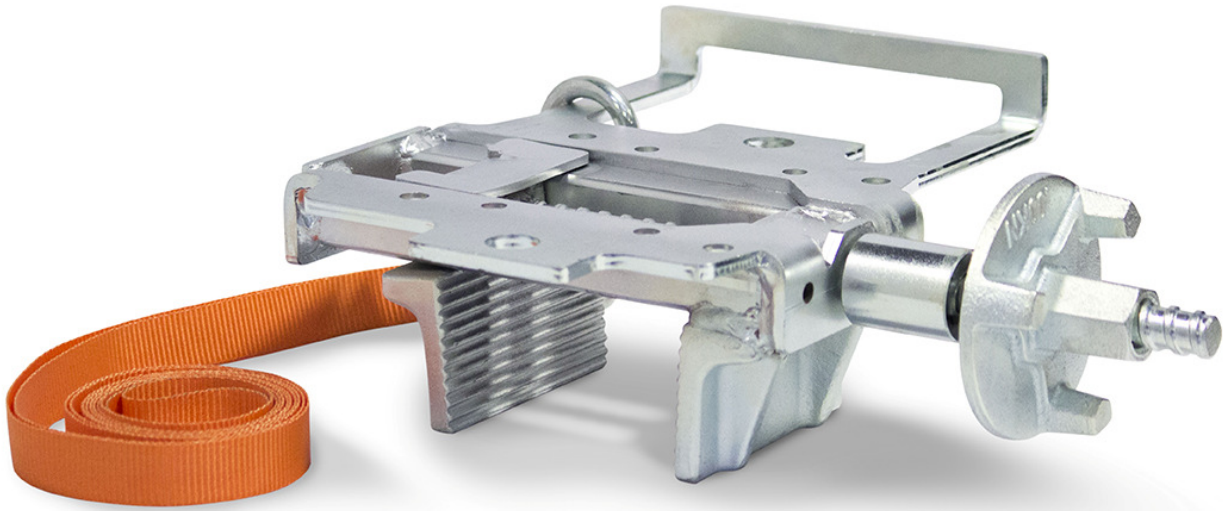


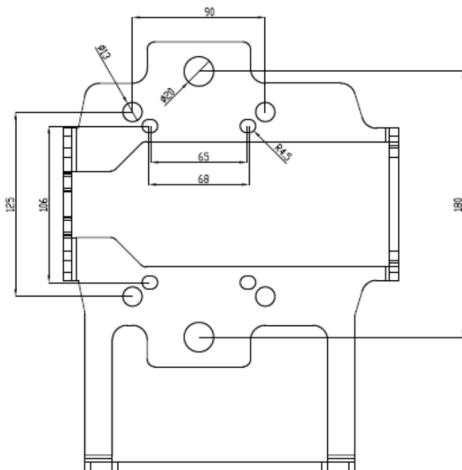
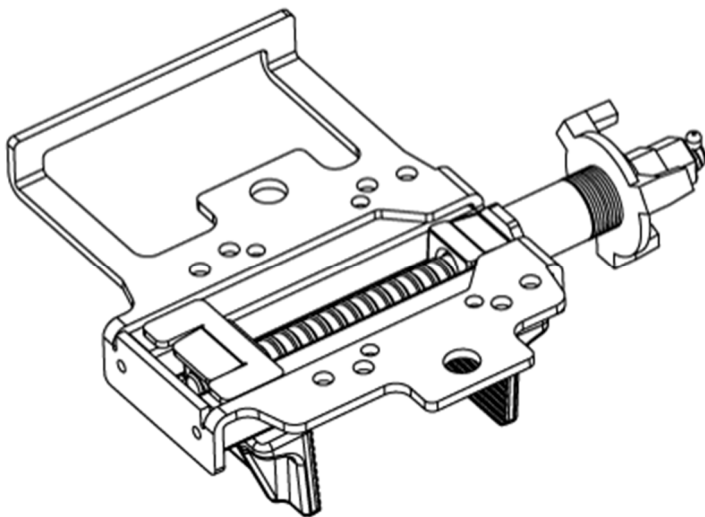
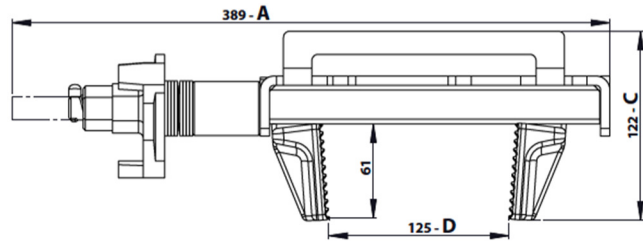
Part No 046779



For wooden formwork

- DOKA® :H20®, Top50®, FF20®
- PERI® : VT20K®, GT24®, Vario GT24®
- MEVA® : H20®
- NOE® : H20®
- HUNNEBECK® :H20®, R24®, GF24®, ES25®

* Registered Trade Names and Trade Marks of Listed Manufacturers
Vibratetechniques take no responsibility if Brackets do not fit



VIBRATECHNIQUES LTD

20 Cecil Pashley Way, Shoreham Airport, Shoreham by Sea, West Sussex, BN43 5FF

Tel: +44 (0)1273 430977 Fax: +44 (0)1273 430978 Email: sales@vibtec.com Web: www.vibtec.com

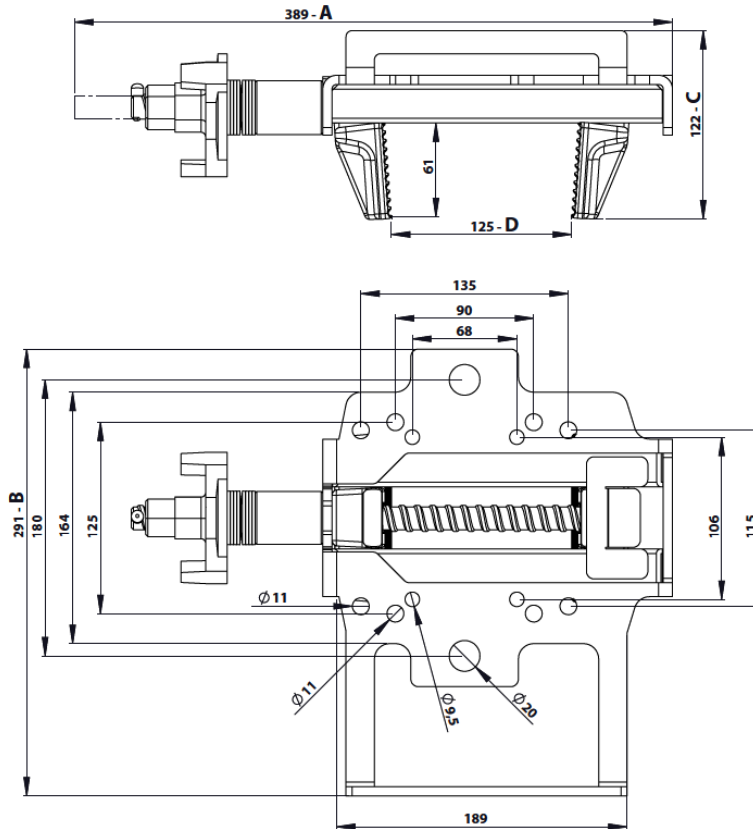
VIBRATOR QUICK RELEASE BRACKET

FOR WOODEN FORMWORK

VIBTEC VIBRATORS VE1000/1400, ITVAF6/300/600, MVS13/100/200/300

TECHNICAL DATA / DATI TECNICI / TECHNISCHE ANGABEN / CARACTERISTIQUES TECHNIQUES / DATOS TÉCNICOS / DADOS TECNICOS

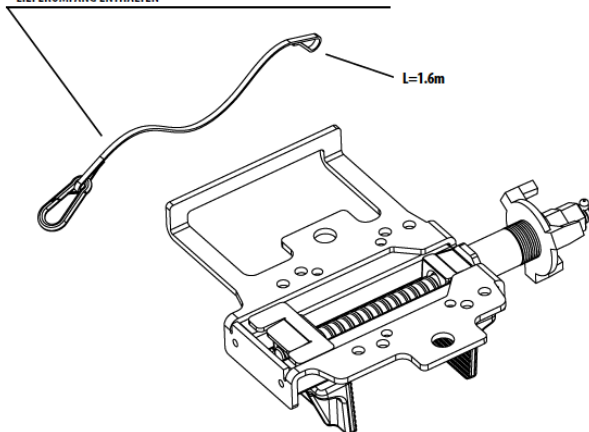
Part No 046779



DIMENSIONAL DATA / INGOMBRI / MASSANGABEN / DONNÉES DIMENSIONNELLES / DATOS DIMENSIONALES / DADOS DIMENSIONAIS								
A	B	C	D-MAX	Peso / Weight / Gewicht / Poids / Peso	Multiple Footprint / Forature / trou de fixation / Lochbild / orificios de fijación / furos de fixação			
mm					mm			
389	291	122	125	6 kg	68x106 (M8)	135x115 (M10)	90x125 (M10)	180 (M18)

Fixing / Fissaggio / Befestigung / fixation / fijación / fixação			
(DIN 912,933)	(DIN 433, 125A)	(DIN 934)	Nm
M8x30	M8	M8	23
M10x50	M10	M10	45
M18x55	M18	M18	185

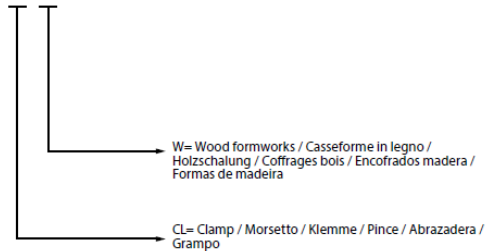
- SAFETY CABLE INCLUDED
- CAVO DI SICUREZZA INCLUSO
- CABLE DE SEGURIDAD INCLUSO
- CABLE DE SEGURIDAD SUMINISTRADO
- SICHERUNGSKABEL IM LIEFERUMFANG ENTHALTEN



SUITABLE FOR / ADATTO PER / CONVIENT POUR / GEEIGNET FÜR / ADEQUADO PARA / IDONEO PARA	
Doka	H20, Top50, FF20
Peri	VT20K, GT24, VARIO GT24
Meva	H20
Pascal	H20
Noe	H20
Hünnebeck	H20, R24, GF24, ES24

IDENTIFICATION / IDENTIFICAZIONE / KENNZEICHNUNG / IDENTIFICATION IDENTIFICACIÓN / IDENTIFICAÇÃO

CLAMP CL W

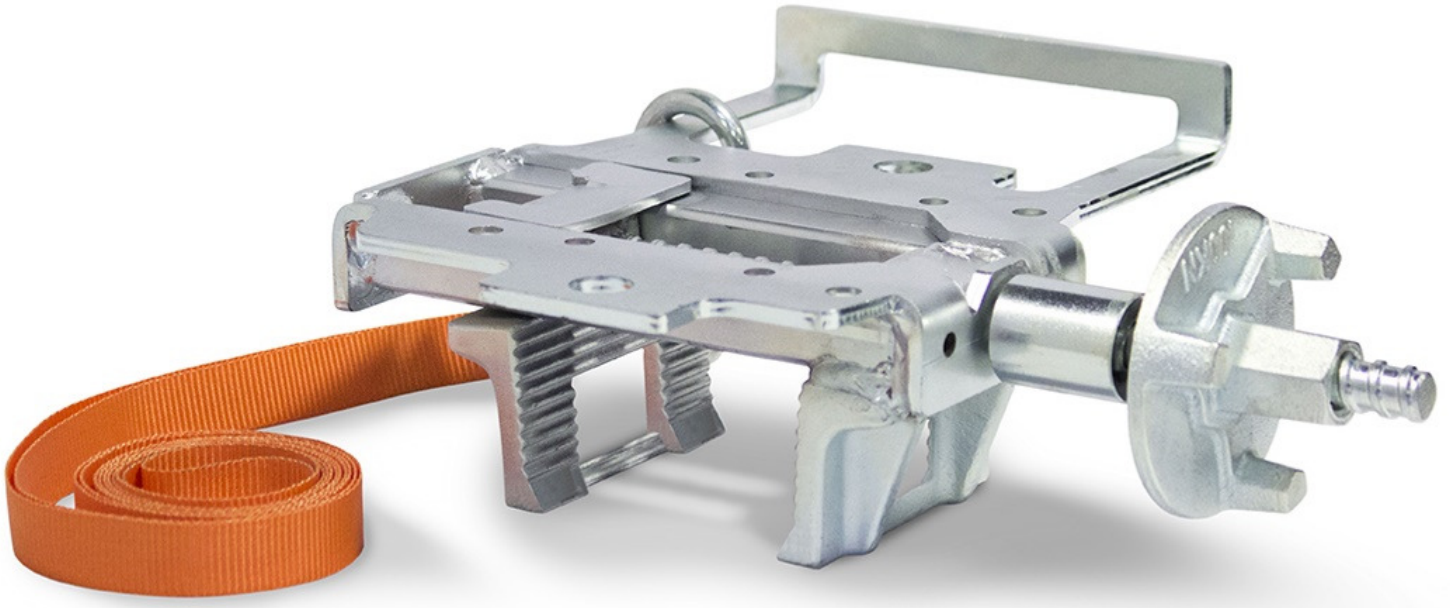


VIBRATECHNIQUES LTD

20 Cecil Pashley Way, Shoreham Airport, Shoreham by Sea, West Sussex, BN43 5FF

Tel: +44 (0)1273 430977 Fax: +44 (0)1273 430978 Email: sales@vibtec.com Web: www.vibtec.com

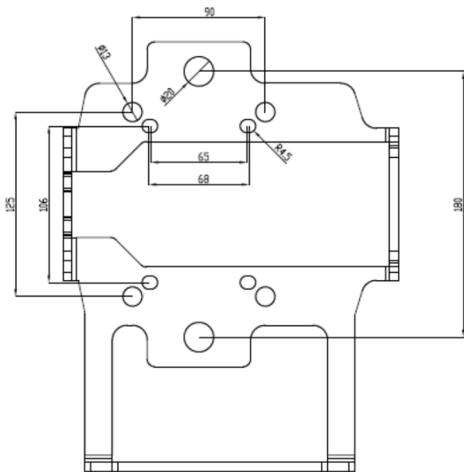
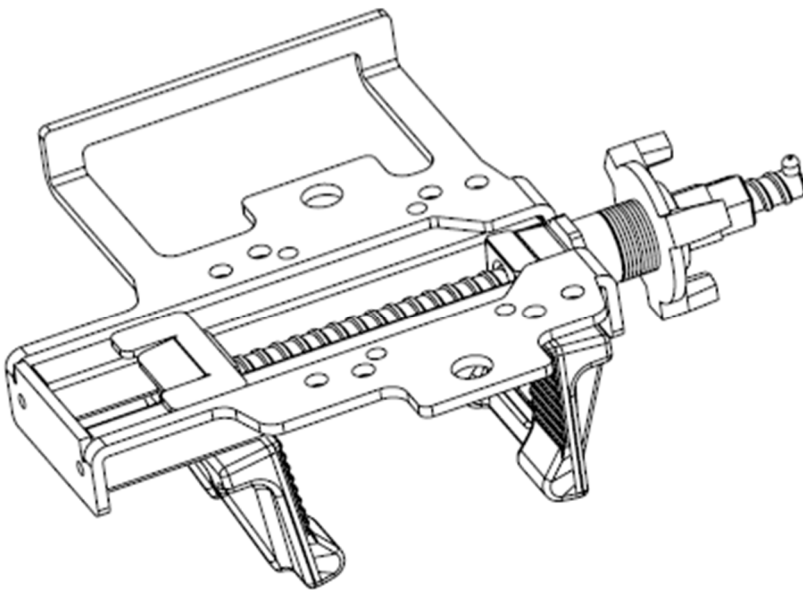
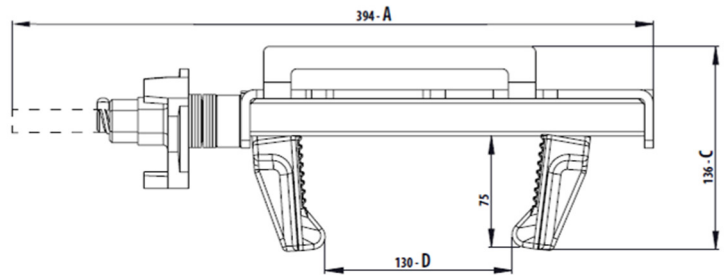
Part No 046780



For Steel formwork

- DOKA® : Framax Xlife®, Alu Framax®, XLife®
- PERI® : Trio®
- MEVA® : StarTec®, Mammut®
- NOE® : NOEtop®

* Registered Trade Names and Trade Marks of Listed Manufacturers
Vibratetechniques take no responsibility if Brackets do not fit



VIBRATECHNIQUES LTD

20 Cecil Pashley Way, Shoreham Airport, Shoreham by Sea, West Sussex, BN43 5FF

Tel: +44 (0)1273 430977 Fax: +44 (0)1273 430978 Email: sales@vibtec.com Web: www.vibtec.com