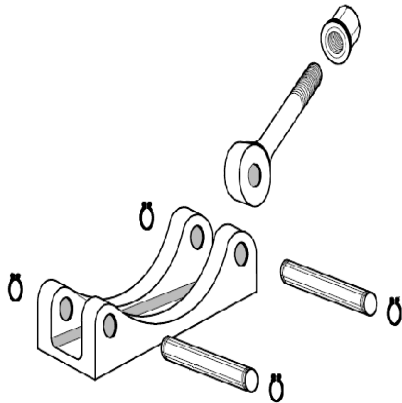
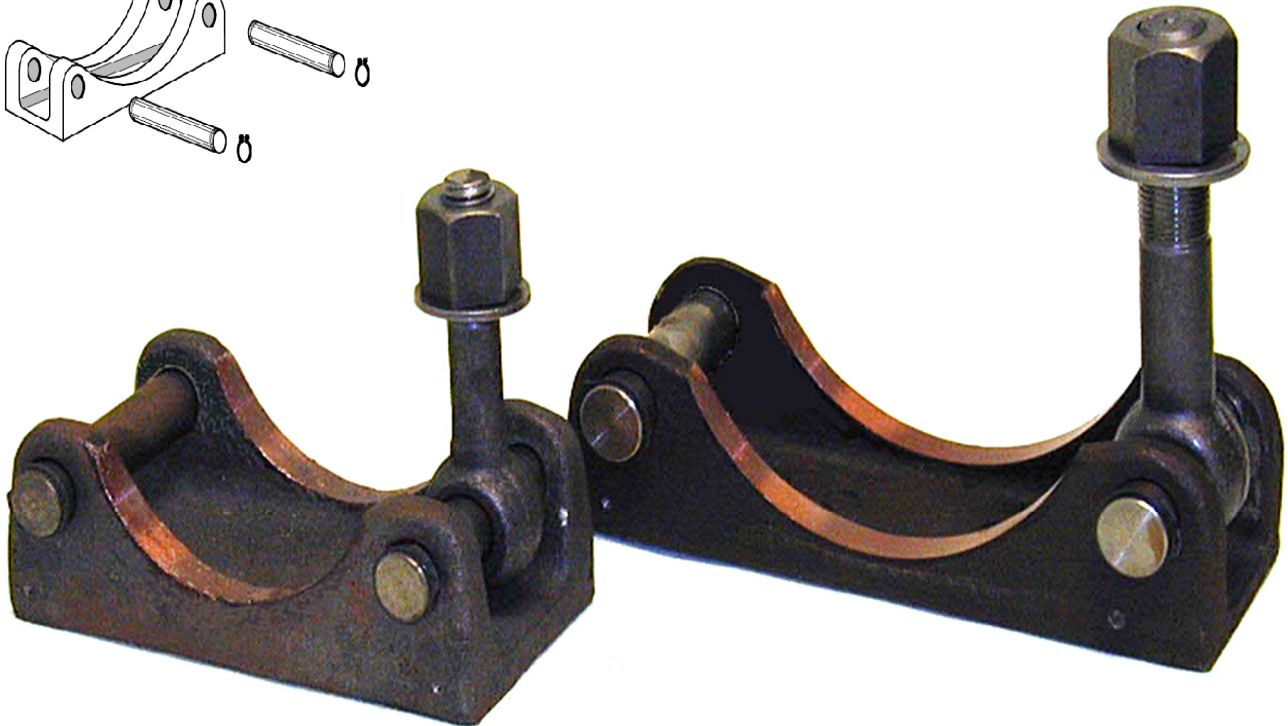


Quick Release Weld on Bracket.



Available in two internal diameters 110 & 160mm
 Reduces the number of Vibrators required on site
 Enables Vibrators to be switched from one location to another
 Easier to fix than foot mounted one nut to tighten
 Better connection between Vibrator to surface via cradle



DIMENSIONS					
Type	Length	Width	* Radius	Hole Centres	Weight (Kgs)
	Overall	Overall			
QR 2	180mm	95mm	55mm	-	3.15kgs
QR 4	240mm	86mm	80mm	-	4.75kgs

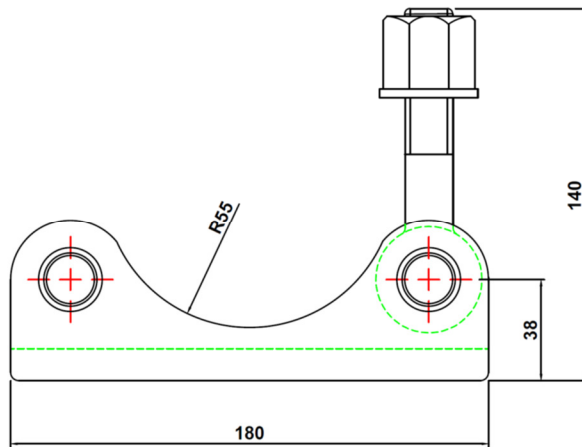
* When using competitors brackets check radius of bracket, not all competitors brackets are interchangeable.

COMPATABILITY	
TYPE	Used on
QR2/QR2P/QR2Q	VAQ 75, VAQ 120, VTHF 6/500 RS
QR4/QR4P/QR4Q	VAQ 2500, VAQ 4000, VAQ 4500, VAQ6000, ITVAF 6/1210 RS, ITVAF 6/1510 RS, ITVAF 9/1110 RS, ITVAF 9/1510 RS, ITV-VR/1210 RS, ITV-VR/2010 RS, VTHF 6/1000 RS, VTF 3/800 RS

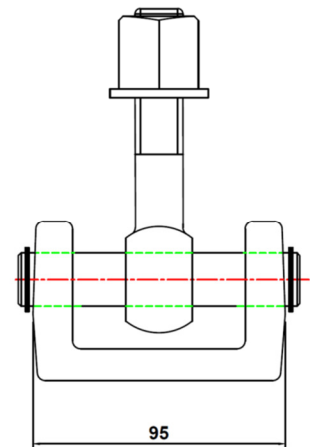
VIBRATECHNIQUES LTD

20 Cecil Pashley Way, Shoreham Airport, Shoreham by Sea, West Sussex, BN43 5FF
 Tel: +44 (0)1273 430977 Fax: +44 (0)1273 430978 Email: sales@vibtec.com Web: www.vibtec.com

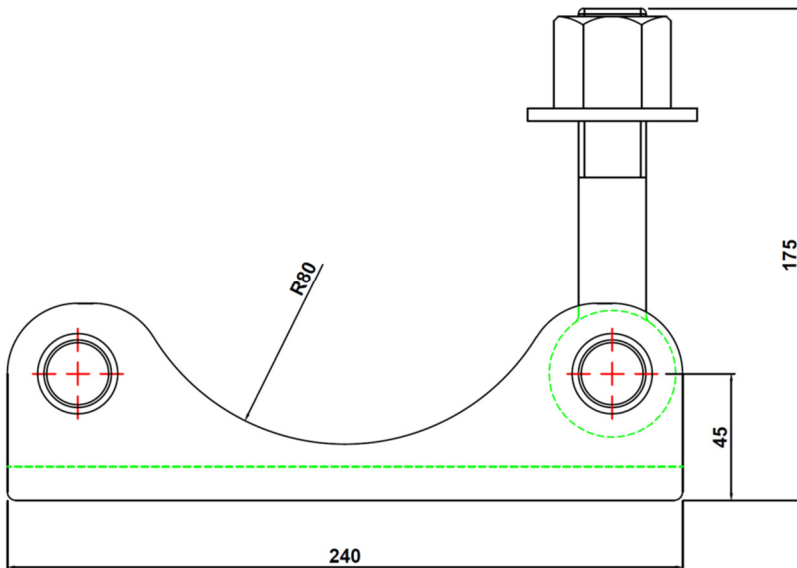
QUICK RELEASE BRACKET DIMENSIONS



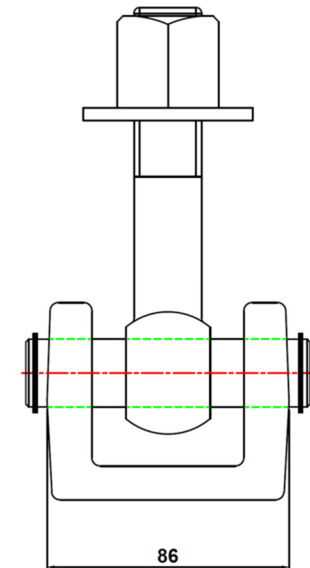
QR2



QR2 Weld On Bracket



QR4



QR4 Weld On Bracket

VIBRATECHNIQUES LTD

20 Cecil Pashley Way, Shoreham Airport, Shoreham by Sea, West Sussex, BN43 5FF
 Tel: +44 (0)1273 430977 Fax: +44 (0)1273 430978 Email: sales@vibtec.com Web: www.vibtec.com