

## 2 poles - 3.000/3.600 rpm

### Three-phase

DESCRIPTION				MECHANICAL SPECIFICATIONS								ELECTRICAL SPECIFICATIONS					
Code	Type	SIZE		Static moment* kgmm		Centrifugal force kg				Weight kg		Max input power W		Max. current A		Ia/In	
				50Hz	60Hz	50Hz	60Hz	50Hz	60Hz	50Hz	60Hz	50Hz	60Hz	400V 50Hz	460V 60Hz	50Hz	60Hz
600328	<b>MVSS 3/100-S02</b>	00	•	12,1	12,1	<b>122</b>	<b>176</b>	<b>1,20</b>	<b>1,72</b>	7,80	7,80	180	180	0,35	0,30	2,68	3,00
600329	<b>MVSS 3/200-S02</b>	01	•	20,2	16,2	<b>203</b>	<b>234</b>	<b>1,99</b>	<b>2,29</b>	8,20	8,00	180	180	0,35	0,30	2,68	3,00
600330	<b>MVSS 3/300-S02</b>	10	•	30,0	22,5	<b>302</b>	<b>326</b>	<b>2,96</b>	<b>3,20</b>	12,5	12,0	260	270	0,60	0,50	3,47	4,20
600331	<b>MVSS 3/500-S02</b>	20	•	58,0	34,8	<b>584</b>	<b>504</b>	<b>5,72</b>	<b>4,94</b>	18,5	17,5	450	500	0,80	0,75	4,21	4,80
600515	<b>MVSS 3/800-S08</b>	30	•	74,5	55,9	<b>750</b>	<b>810</b>	<b>7,35</b>	<b>7,94</b>	25,0	24,0	650	685	1,10	1,00	3,83	6,00
600333	<b>MVSS 3/1100-S02</b>	35	•	110	73,0	<b>1105</b>	<b>1061</b>	<b>10,8</b>	<b>10,4</b>	30,0	29,0	1000	1200	1,75	1,75	3,63	4,00
600334	<b>MVSS 3/1510-S02</b>	40	•	153	102	<b>1545</b>	<b>1483</b>	<b>15,2</b>	<b>14,5</b>	39,6	38,0	1400	1450	2,30	2,00	4,95	6,12
600335	<b>MVSS 3/2010-S02</b>	50	•	205	128	<b>2059</b>	<b>1853</b>	<b>20,2</b>	<b>18,2</b>	48,7	46,3	2200	2200	3,50	3,00	4,62	6,00

### Single-phase

Code	Type	SIZE		Static moment* kgmm		Centrifugal force kg				Weight kg		Max input power W		Max. current A		Ia/In	
				50Hz	60Hz	50Hz	60Hz	50Hz	60Hz	50Hz	60Hz	50Hz	60Hz	220V 50Hz	115V 60Hz	50Hz	60Hz
600328	<b>MVSS 3/100-S02</b>	00	•	12,1	12,1	<b>122</b>	<b>176</b>	<b>1,20</b>	<b>1,72</b>	7,80	7,80	165	165	0,75	1,52	1,67	2,24
600329	<b>MVSS 3/200-S02</b>	01	•	20,2	16,2	<b>203</b>	<b>234</b>	<b>1,99</b>	<b>2,29</b>	8,20	8,00	165	165	0,75	1,52	1,67	2,24
600330	<b>MVSS 3/300-S02</b>	10	•	30,0	22,5	<b>302</b>	<b>326</b>	<b>2,96</b>	<b>3,20</b>	12,5	12,0	280	280	1,25	2,40	2,48	3,52
600331	<b>MVSS 3/500-S02</b>	20	•	58,0	34,8	<b>584</b>	<b>504</b>	<b>5,72</b>	<b>4,94</b>	18,5	17,5	500	500	2,30	4,50	3,35	4,22
600515	<b>MVSS 3/800-S08</b>	30	•	74,5	55,9	<b>750</b>	<b>810</b>	<b>7,35</b>	<b>7,94</b>	25,0	24,0	700	750	3,25	7,00	4,00	4,14

\* Working moment = 2 x static moment.

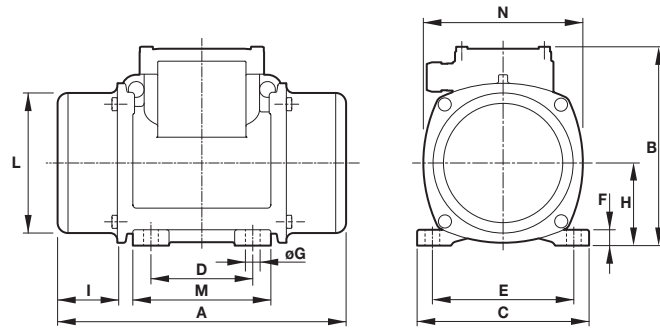


Fig. W

DIMENSIONAL SPECIFICATIONS (mm)

Type	Fig.	A	B	C	D	E	Holes		F	H	I	L	M	N	Capacitor (µF)		Cable entry thread
							ØG	N°							220V 50Hz	115V 60Hz	
MVSS 3/100-S02	W	209	151	125	62-74**	106	9	4	10	61	45	100	100	117	-	-	M20x1,5
MVSS 3/200-S02	W	225	151	125	62-74**	106	9	4	10	61	53	100	100	117	-	-	M20x1,5
MVSS 3/300-S02	W	255	176	152	90	125	13	4	14	73	54	124	122	141	-	-	M20x1,5
MVSS 3/500-S02	W	284	200	167	105	140	13	4	15	82,5	63	143	137	160	-	-	M25x1,5
MVSS 3/800-S08	W	308	205	205	120	170	17	4	17	93,5	63	168	158	182	-	-	M25x1,5
MVSS 3/1100-S02	W	354	232	205	120	170	17	4	20	104,5	77	181	162	203	-	-	M25x1,5
MVSS 3/1510-S02	W	438	245	230	140	190	17	4	25	116	103	201	180	225	-	-	M25x1,5
MVSS 3/2010-S02	W	438	245	230	140	190	17	4	25	116	103	201	180	225	-	-	M25x1,5

Type	Fig.	A	B	C	D	E	Holes		F	H	I	L	M	N	Capacitor (µF)		Cable entry thread
							ØG	N°							220V 50Hz	115V 60Hz	
MVSS 3/100-S02	W	209	151	125	62-74**	106	9	4	10	61	45	100	100	117	10	28	M20x1,5
MVSS 3/200-S02	W	225	151	125	62-74**	106	9	4	10	61	53	100	100	117	10	35	M20x1,5
MVSS 3/300-S02	W	255	176	152	90	125	13	4	14	73	54	124	122	141	16	25	M20x1,5
MVSS 3/500-S02	W	284	200	167	105	140	13	4	15	82,5	63	143	137	160	12,5	50	M25x1,5
MVSS 3/800-S08	W	308	205	205	120	170	17	4	17	93,5	63	168	158	182	25	90	M25x1,5

Ia/In = ratio between start-up current and maximum current. \*\*Slot.