

# M3



## 4 poles - 1.500/1.800 rpm

### Three-phase

DESCRIPTION					MECHANICAL SPECIFICATIONS								ELECTRICAL SPECIFICATIONS					
Code	Type	SIZE	SP	Ex II2D Temp. class	Static moment* kgmm		Centrifugal force kg				Weight kg		Max input power W		Max. current A		Ia/In	
					50Hz	60Hz	50Hz	60Hz	50Hz	60Hz	50Hz	60Hz	50Hz	60Hz	50Hz	60Hz	400V 50Hz	460V 60Hz
601514	M15/36-S02	00	•	120°C	12,1	12,1	<b>30,5</b>	<b>43,8</b>	<b>0,30</b>	<b>0,43</b>	5,40	5,40	85	95	0,21	0,20	1,78	1,95
601515	M15/81-S02	00	•	120°C	29,8	20,2	<b>75,0</b>	<b>73,0</b>	<b>0,74</b>	<b>0,72</b>	6,30	6,0	85	95	0,21	0,20	1,78	1,95

### Single-phase

Code	Type	SIZE	SP	Ex II2D Temp. class	Static moment* kgmm		Centrifugal force kg				Weight kg		Max input power W		Max. current A		Ia/In	
					50Hz	60Hz	50Hz	60Hz	50Hz	60Hz	50Hz	60Hz	50Hz	60Hz	220V 50Hz	115V 60Hz	50Hz	60Hz
601514	M15/36-S02	00	•	120°C	12,1	12,1	<b>30,5</b>	<b>43,8</b>	<b>0,30</b>	<b>0,43</b>	5,40	5,40	90	100	0,43	1,00	1,20	1,30
601515	M15/81-S02	00	•	120°C	29,8	20,2	<b>75,0</b>	<b>73,0</b>	<b>0,74</b>	<b>0,72</b>	6,30	6,0	90	100	0,43	1,00	1,20	1,30

\* Working moment = 2 x static moment. Ia/In = rapporto fra corrente di avviamento e corrente max.

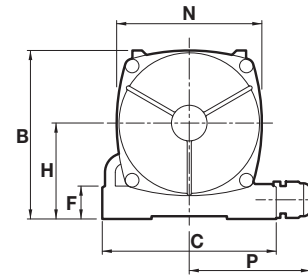
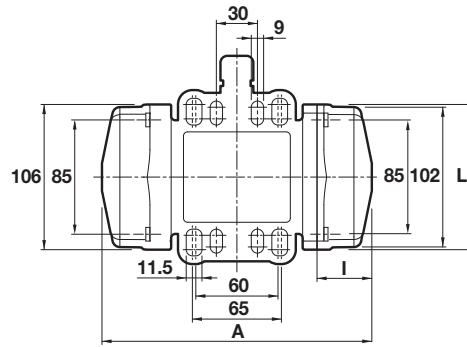


Fig. M1

DIMENSIONAL SPECIFICATIONS (mm)

Type	Fig.	A	B	C	Multi-hole		Holes		F	H	I	ØL	M	N	P	Capacitor (µF)		Cable entry thread
					D	E	ØG	N°								220V 50Hz	115V 60Hz	
M15/36-S02	M1	214																
M15/81-S02	M1	235	123	127	See drawing		9	4	24	70	59	106	86	106	88,5	-	-	M20X1,5

Type	Fig.	A	B	C	Multi-hole		Holes		F	H	I	ØL	M	N	P	Capacitor (µF)		Cable entry thread
					D	E	ØG	N°								220V 50Hz	115V 60Hz	
M15/36-S02	M1	214																
M15/81-S02	M1	235	123	127	See drawing		9	4	24	70	59	106	86	106	88,5	3,15	25	M20X1,5