



## 4 poles - 1.500/1.800 rpm

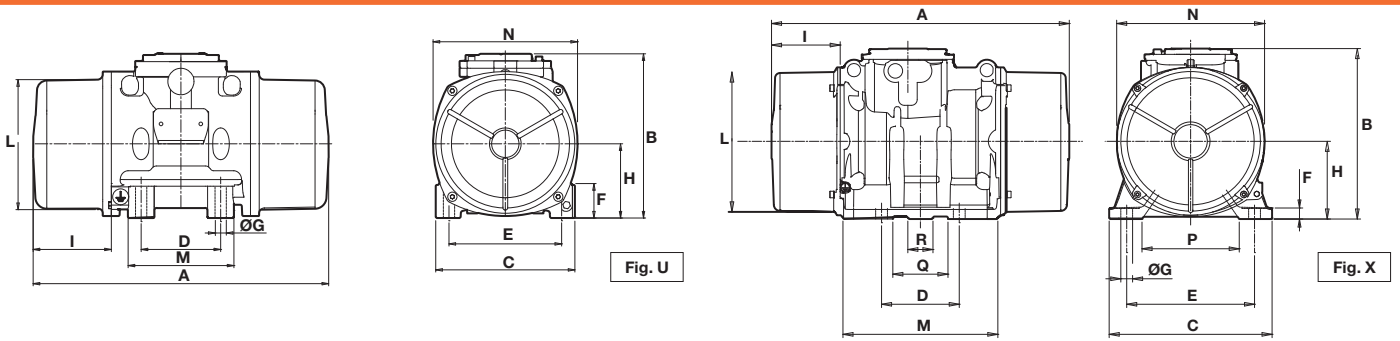
### Three-phase

DESCRIPTION			MECHANICAL SPECIFICATIONS												ELECTRICAL SPECIFICATIONS								
Code	Type	SIZE	Certifications					Static moment* kgmm		Centrifugal force kN				Weight kg		Max input power W		Power rating W		Max. current A		Ia/In	
			●	○	●	●	●	50Hz	60Hz	50Hz	60Hz	50Hz	60Hz	50Hz	60Hz	50Hz	60Hz	50Hz	60Hz	400V 50Hz	460V 60Hz	50Hz	60Hz
601409	CDX 15/200-G/D	10	●					84,2	58,8	<b>213</b>	<b>214</b>	<b>2,09</b>	<b>2,10</b>	14,0	13,0	170	170	95	95	0,41	0,40	2,34	2,75
601410	CDX 15/400-G/D	20	●					163	113	<b>412</b>	<b>411</b>	<b>4,04</b>	<b>4,03</b>	21,4	20,0	300	350	215	275	0,60	0,60	3,33	3,50
601411	CDX 15/550-G/D	20	●					219	163	<b>552</b>	<b>592</b>	<b>5,42</b>	<b>5,81</b>	22,8	21,4	300	350	215	275	0,60	0,60	3,33	3,50
601412	CDX 15/700-G/D	30	●					286	209	<b>720</b>	<b>760</b>	<b>7,06</b>	<b>7,46</b>	30,3	29,0	525	665	380	490	0,92	0,98	3,48	3,43
601413	CDX 15/1100-G/D	35	●	●	●	●		415	271	<b>1045</b>	<b>982</b>	<b>10,3</b>	<b>9,63</b>	46,0	41,5	520	660	369	442	0,81	0,88	4,65	4,84
601424	CDX 15/1410-G/D	50	●	●	●	●		561	400	<b>1413</b>	<b>1449</b>	<b>13,9</b>	<b>14,2</b>	63,4	58,8	750	1000	548	740	1,35	1,50	5,59	5,60
601328	CDX 15/1710-G/D	50	●	●	●	●		715	485	<b>1798</b>	<b>1757</b>	<b>17,6</b>	<b>17,2</b>	67,8	65,3	1050	1300	882	1105	1,81	1,90	5,09	5,46
601358	CDX 15/2000-G/D	50	●	●	●	●		817	561	<b>2054</b>	<b>2033</b>	<b>20,1</b>	<b>19,9</b>	72,8	66,8	1050	1300	882	1105	1,81	1,90	5,09	5,46
601329	CDX 15/2410-G/D	60	●	●	●	●		962	674	<b>2420</b>	<b>2444</b>	<b>23,7</b>	<b>24,0</b>	98,0	92,0	1500	1650	1305	1485	2,95	2,90	7,80	7,76
601330	CDX 15/3810-G/D	70	●	●	●	●		1526	1034	<b>3840</b>	<b>3744</b>	<b>37,7</b>	<b>36,7</b>	139	134	2270	2250	1839	1845	3,80	3,50	6,84	8,09
601623	CDX 15/4300-G/D	70	●	●	●	●		1720	1173	<b>4326</b>	<b>4250</b>	<b>42,4</b>	<b>41,7</b>	143	137	2270	2250	1839	1845	3,80	3,50	6,84	8,09
601487	CDX 15/5010-G/D	80	●	●	●	●		1990	1364	<b>5007</b>	<b>4941</b>	<b>49,1</b>	<b>48,5</b>	172	165	2800	2800	2100	2100	4,75	4,40	6,74	7,20

### Single-phase

Code	Type	SIZE	Certifications					Static moment* kgmm		Centrifugal force kN				Weight kg		Max input power W		Power rating W		Max. current A		Ia/In	
			●	○	●	●	●	50Hz	60Hz	50Hz	60Hz	50Hz	60Hz	50Hz	60Hz	50Hz	60Hz	220V 50Hz	115V 60Hz	50Hz	60Hz		
601409	CDX 15/200-G/D	10	●					84,2	58,8	<b>213</b>	<b>214</b>	<b>2,09</b>	<b>2,10</b>	14,0	13,0	210	230	110	120	1,00	2,00	1,50	1,85
601410	CDX 15/400-G/D	20	●					163	113	<b>412</b>	<b>411</b>	<b>4,04</b>	<b>4,03</b>	21,4	20,0	240	320	120	180	1,20	2,80	2,50	2,50
601401	CDX 15/550-G/D	20	●					219	163	<b>552</b>	<b>592</b>	<b>5,42</b>	<b>5,81</b>	22,8	21,4	240	320	120	180	1,20	2,80	2,50	2,50
601412	CDX 15/700-G/D	30	●					286	209	<b>720</b>	<b>760</b>	<b>7,06</b>	<b>7,46</b>	30,3	29,0	450	550	240	300	2,15	5,15	5,44	3,63

\* Working moment = 2 x static moment.



**DIMENSIONAL SPECIFICATIONS (mm)**

Type	Fig.	A	B	C	D	E	Holes		F	H	I	L	M	N	P	Q	R	Capacitor (µF)		Cable entry
							ØG	N°										220V 50Hz	115V 60Hz	
CDX 15/200-G/D	U	301	191	152	90	125	13	4	28	77,5	77	130	128	150	-	-	-	-	-	NPT 1/2"
CDX 15/400-G/D	U	350	218	167	105	140	13	4	30	90	96	150	140	175	-	-	-	-	-	NPT 1/2"
CDX 15/550-G/D	U	392	218	167	105	140	13	4	30	90	117	150	140	175	-	-	-	-	-	NPT 1/2"
CDX 15/700-G/D	U	394	231	205	120	170	17	4	45	102	106	177	162	200	-	-	-	-	-	NPT 1/2"
CDX 15/1100-G/D	U	446	249	210	120	170	17	4	52	112	118	192	160	218	-	-	-	-	-	NPT 3/4"
CDX 15/1410-G/D	X	520	279	235	140	190	22	4	18	116	134	210	246	225	140	80	-	-	-	NPT 3/4"
CDX 15/1710-G/D	X	520	279	235	140	190	22	4	18	116	134	210	246	225	140	80	-	-	-	NPT 3/4"
CDX 15/2000-G/D	X	594(50Hz) 520(60Hz)	279	235	140	190	22	4	18	116	171(50Hz) 134(60Hz)	210	246	225	140	80	-	-	-	NPT 3/4"
CDX 15/2410-G/D	X	572	312	275	155	225	22	4	22	135	146	239	274	253	169	105	50	-	-	NPT 3/4"
CDX 15/3810-G/D	X	594	343	325	155	255	23,5	4	22	155	137	279	314	295	194	110	50	-	-	NPT 3/4"
CDX 15/4300-G/D	X	676(50Hz) 594(60Hz)	343	325	155	255	23,5	4	22	155	178(50Hz) 137(60Hz)	279	314	295	194	110	50	-	-	NPT 3/4"
CDX 15/5010-G/D	X	638	359	355	180	280	26	4	22	165	154	303	320	320	198	120	50	-	-	NPT 3/4"

Type	Fig.	A	B	C	D	E	Holes		F	H	I	L	M	N	P	Q	R	Capacitor (µF)		Cable entry
							ØG	N°										220V 50Hz	115V 60Hz	
CDX 15/200-G/D	U	301	191	152	90	125	13	4	28	77,5	77	130	128	150	-	-	-	5	25	NPT 1/2"
CDX 15/400-G/D	U	350	218	167	105	140	13	4	30	90	96	150	140	175	-	-	-	12○ +20●	35	NPT 1/2"
CDX 15/550-G/D	U	392	218	167	105	140	13	4	30	90	117	150	140	175	-	-	-	12○ +20●	35○ +10●	NPT 1/2"
CDX 15/700-G/D	U	394	231	205	120	170	17	4	45	102	106	177	162	200	-	-	-	16○ +80●	40○ +120●	NPT 1/2"

la/In = ratio between start-up current and maximum current. ○ Start-up capacitor / ● Running capacitor.  
**Several sizes are available with different mounting bolt patterns. Please contact sales office at Italvibras.**