



2 poles - 3.000/3.600 rpm

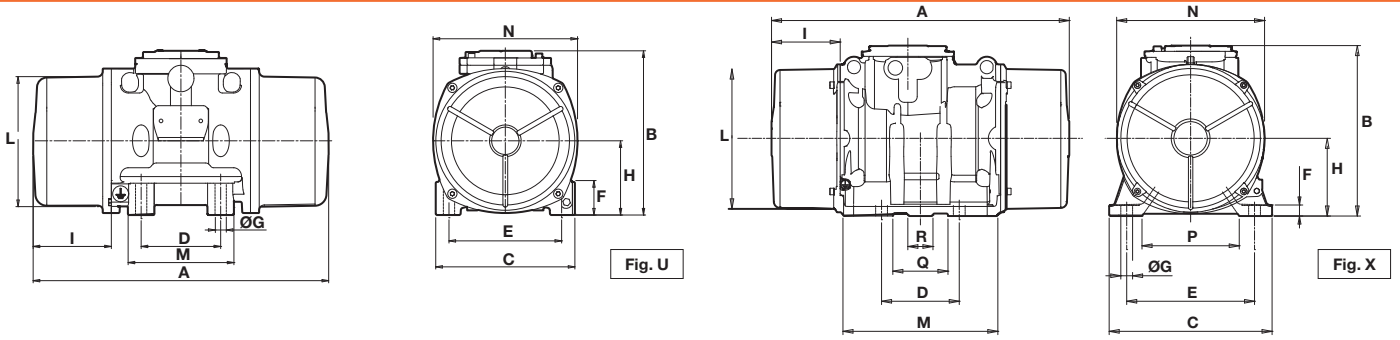
Three-phase

DESCRIPTION			MECHANICAL SPECIFICATIONS										ELECTRICAL SPECIFICATIONS										
Code	Type	SIZE	Certifications					Static moment* kgmm		Centrifugal force kg				Weight kg		Max input power W		Power rating W		Max. current A		Ia/In	
			●	○	●	●	●	50Hz	60Hz	50Hz	60Hz	50Hz	60Hz	50Hz	60Hz	50Hz	60Hz	50Hz	60Hz	400V 50Hz	460V 60Hz	50Hz	60Hz
600384	CDX 3/300-G/D	10	●					30,0	22,5	302	326	2,96	3,20	11,5	11,0	260	270	180	190	0,60	0,50	3,47	4,20
600385	CDX 3/500-G/D	20	●					58,0	34,8	584	504	5,72	4,94	17,0	16,0	450	500	330	390	0,80	0,75	4,21	4,80
600387	CDX 3/800-G/D	30	●					74,5	55,9	750	810	7,35	7,94	23,3	22,4	650	685	500	520	1,10	1,00	3,83	6,00
600389	CDX 3/1100-G/D	35	●	●	●	●	●	110	73,0	1105	1061	10,8	10,4	34,0	33,0	600	710	480	550	0,90	0,93	4,78	4,96
600437	CDX 3/1500-G/D	50	●	●	●	●	●	161	111	1625	1602	15,9	17,7	53,9	51,4	1000	1200	850	925	1,62	1,72	6,00	6,32
600317	CDX 3/2100-G/D	50	●	●	●	●	●	209	144	2114	2080	20,7	20,4	59,8	58,5	1000	1260	900	1095	1,71	1,85	6,95	7,19
600320	CDX 3/2300-G/D	60	●	●	●	●	●	222	159	2236	2300	21,9	22,5	82,5	79,5	2000	2200	1500	1606	3,23	3,20	7,47	8,60
600323	CDX 3/3200-G/D	70	●	●	●	●	●	344	215	3457	3112	33,9	30,5	114	110	3100	3250	2570	2570	5,23	5,00	6,37	8,00
600486	CDX 3/4700-G/D	80	●	●	●	●	●	469	329	4710	4760	46,2	46,7	149	144	4500	4500	3680	3680	7,13	6,60	6,53	7,00

Single-phase

Code	Type	SIZE	Certifications					Static moment* kgmm		Centrifugal force kg				Weight kg		Max input power W		Power rating W		Max. current A		Ia/In	
			●	○	●	●	●	50Hz	60Hz	50Hz	60Hz	50Hz	60Hz	50Hz	60Hz	50Hz	60Hz	220V 50Hz	115V 60Hz	50Hz	60Hz		
600384	CDX 3/300-G/D	10	●					30,0	22,5	302	326	2,96	3,20	11,5	11,0	280	280	180	200	1,25	2,40	2,48	3,52
600385	CDX 3/500-G/D	20	●					58,0	34,8	584	504	5,72	4,94	17,0	16,0	500	500	340	350	2,30	4,50	3,35	4,22
600387	CDX 3/800-G/D	30	●					74,5	55,9	750	810	7,35	7,94	23,3	22,4	700	750	450	500	3,25	7,00	4,00	4,14

* Working moment = 2 x static moment.



DIMENSIONAL SPECIFICATIONS (mm)

Type	Fig.	A	B	C	D	E	Holes		F	H	I	L	M	N	P	Q	R	Capacitor (µF)		Cable entry
							ØG	N°										220V 50Hz	115V 60Hz	
CDX 3/300-G/D	U	255	191	152	90	125	13	4	28	77,5	54	130	128	150	-	-	-	-	-	NPT 1/2"
CDX 3/500-G/D	U	288	218	167	105	140	13	4	30	90	65	150	140	175	-	-	-	-	-	NPT 1/2"
CDX 3/800-G/D	U	314	231	205	120	170	17	4	45	102	66	177	162	200	-	-	-	-	-	NPT 1/2"
CDX 3/1100-G/D	U	446	249	210	120	170	17	4	52	112	118	192	160	218	-	-	-	-	-	NPT 3/4"
CDX 3/1500-G/D	X	520	279	235	140	190	22	4	18	116	134	210	246	225	140	80	-	-	-	NPT 3/4"
CDX 3/2100-G/D	X	520	279	235	140	190	22	4	18	116	134	210	246	225	140	80	-	-	-	NPT 3/4"
CDX 3/2300-G/D	X	572	312	275	155	225	22	4	22	135	146	239	274	253	169	105	50	-	-	NPT 3/4"
CDX 3/3200-G/D	X	594	343	325	155	255	23,5	4	22	155	137	279	314	295	194	110	50	-	-	NPT 3/4"
CDX 3/4700-G/D	X	638	359	355	180	280	26	4	22	165	154	303	320	320	198	120	50	-	-	NPT 3/4"

Type	Fig.	A	B	C	D	E	Holes		F	H	I	L	M	N	P	Q	R	Capacitor (µF)		Cable entry
							ØG	N°										220V 50Hz	115V 60Hz	
CDX 3/300-G/D	U	255	191	152	90	125	13	4	28	77,5	54	130	128	50	-	-	-	16	25	NPT 1/2"
CDX 3/500-G/D	U	288	218	167	105	140	13	4	30	90	65	150	140	175	-	-	-	12,5	50	NPT 1/2"
CDX 3/800-G/D	U	314	231	205	120	170	17	4	45	102	66	177	162	200	-	-	-	25	90	NPT 1/2"

la/In = ratio between start-up current and maximum current. ○ Start-up capacitor / ● Running capacitor.
 Several sizes are available with different mounting bolt patterns. Please contact sales office at Italvibras.