

# MTF



## 4 poles - 1.500/1.800 rpm

### Three-phase

DESCRIPTION					MECHANICAL SPECIFICATIONS				ELECTRICAL SPECIFICATIONS							
Code	Type	SIZE	SP	Ex II2D Temp. class	Centrifugal force (A/B)*				Weight		Max input power		Max. current		Ia/In	
					kg	kg	kN	kN	kg	kg	W	W	A	A	50Hz	60Hz
					50Hz	60Hz	50Hz	60Hz	50Hz	60Hz	50Hz	60Hz	400V 50Hz	460V 60Hz	50Hz	60Hz
601446	MTF 15/80-S02	01	-	120°C	40/40	37/37	0,39/0,39	0,36/0,36	6,8	6,5	85	95	0,21	0,20	1,78	1,95
601403	MTF 15/200-S02	10	•	120°C	106/74	107/107	1,04/0,72	1,05/1,05	14,0	13,2	170	170	0,41	0,40	2,34	2,75
601405	MTF 15/400-S02	20	•	120°C	205/142	205/205	2,01/1,39	2,01/2,01	20,6	19,8	300	350	0,60	0,60	3,33	3,50
601406	MTF 15/550-S02	20	•	120°C	276/205	295/295	2,70/2,01	2,70/2,70	22,0	20,6	300	350	0,60	0,60	3,33	3,50
601407	MTF 15/700-S02	30	•	120°C	360/263	380/380	3,53/2,58	3,73/3,73	26,0	24,5	525	665	0,92	0,98	3,48	3,43
601280	MTF 15/1100-S90 Δ	40	•	120°C	504/504	491/491	4,94/4,94	4,82/4,82	36,0	31,4	900	1050	1,45	1,50	4,10	4,20
601379	MTF 15/1710-S02-VRS	50	•	150°C	894/322	878/355	8,77/3,16	8,61/3,48	44,0	41,5	1100	1200	2,00	1,90	4,29	4,89
601380	MTF 15/2000-S02-VRS	50	•	170°C	1021/357	1017/390	10,0/3,50	9,98/3,83	48,0	45,5	1350	1450	2,50	2,30	4,30	4,90
601381	MTF 15/3810-S02-VRS	70	•	135°C	1908/707	1872/718	18,7/6,94	18,4/7,04	100,0	93,0	2200	2500	3,90	3,90	7,11	6,92

### Single-phase

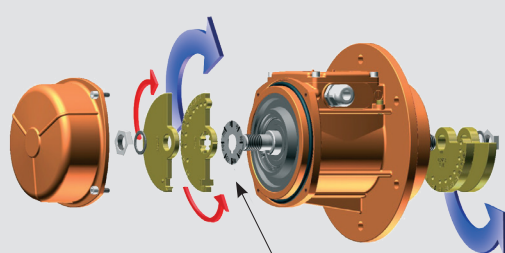
Code	Type	SIZE	SP	Ex II2D Temp. class	Centrifugal force (A/B)*				Weight		Max input power		Max. current		Ia/In	
					kg	kg	kN	kN	kg	kg	W	W	A	A	50Hz	60Hz
					50Hz	60Hz	50Hz	60Hz	50Hz	60Hz	50Hz	60Hz	220V 50Hz	115V 60Hz	50Hz	60Hz
601446	MTF 15/80-S02	01	-	120°C	40/40	37/37	0,39/0,39	0,36/0,36	6,8	6,5	90	100	0,43	1,00	1,20	1,3
601403	MTF 15/200-S02	10	-	120°C	106/74	107/107	1,04/0,72	1,05/1,05	14,0	13,2	210	230	1,00	2,00	1,50	1,85
601405	MTF 15/400-S02	20	-	120°C	205/142	205/205	2,01/1,39	2,01/2,01	20,6	19,8	240	320	1,20	2,80	2,50	2,5
601406	MTF 15/550-S02	20	-	120°C	276/205	295/295	2,70/2,01	2,70/2,70	22,0	20,6	240	320	1,20	2,80	2,50	2,5
601407	MTF 15/700-S02	30	-	120°C	360/263	380/380	3,53/2,58	3,73/3,73	26,0	24,5	450	550	2,15	5,15	5,44	3,63

\* Listed as A/B: total centrifugal force is the sum of centrifugal force of top weights (A) and centrifugal force of bottom weights (B).

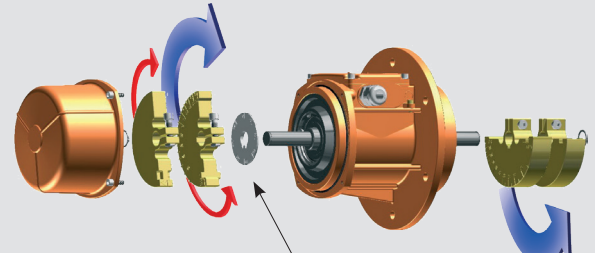
Ia/In = ratio between start-up current and maximum current.

## Weight adjustment

### Frontal fixing weights



### Clamp fixing weights



Graduated disks for upper and lower weight group phase shift

Regulation between upper and lower weight groups

Single weight phase shift

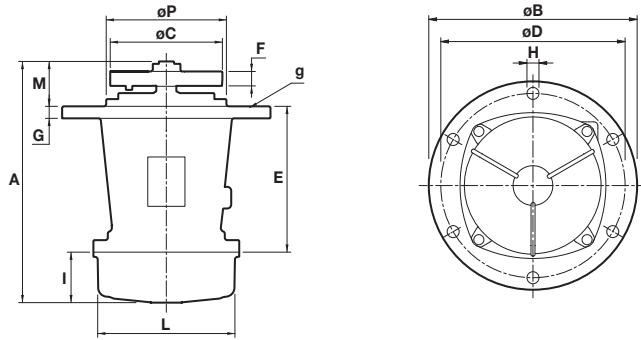


Fig. G

DIMENSIONAL SPECIFICATIONS (mm)

Type	Fig.	A	ØB	ØC	Holes			E	F	G	I	L	M	ØP	Capacitor (µF)		Cable entry thread	Seal g
					ØD	ØH	N°								220V 50Hz	115V 60Hz		
MTF 15/80-S02	G	241	211,5	93	188	12	4	144	32(50Hz) 20(60Hz)	10	65	103	32	-	-	-	M20x1,5	OR 4650
MTF 15/200-S02	G	292,5	215	114(50Hz) 108(60Hz)	187	12	4	179,5	48(50Hz) 40(60Hz)	13	77	127	36	-	-	-	M20x1,5	OR 4625
MTF 15/400-S02	G	335,5	245	130	205	12	6	124	59(50Hz) 42(60Hz)	12	93	145	118,5	162	-	-	M25x1,5	OR 4700
MTF 15/550-S02	G	376,5	245	130	205	12	6	124	79(50Hz) 59(60Hz)	12	114	145	138,5	162	-	-	M25x1,5	OR 4700
MTF 15/700-S02	G	380,5	260	154	230	15	6	182	59(50Hz) 46(60Hz)	15	106	170	92,5	150	-	-	M25x1,5	OR 4800
MTF 15/1100-S90 Δ	G	429	279	190	254	14	4	-	49	17,5	57,5	-	-	229	-	-	M25x1,5	-
MTF 15/1710-S02-VRS	G	488	350	190	290	17	6	232	84(50Hz) 57(60Hz)	25	134	209	122	172	-	-	M25x1,5	-
MTF 15/2000-S02-VRS	G	500(50Hz) 488(60Hz)	350	193	290	17	6	232	100(50Hz) 68(60Hz)	25	134	209	133(50Hz) 122(60Hz)	172	-	-	M25x1,5	-
MTF 15/3810-S02-VRS	G	614	410	250(50Hz) 244(60Hz)	350	22	6	310	78(50Hz) 57(60Hz)	27	178	280	126	234	-	-	M25x1,5	-

Type	Fig.	A	ØB	ØC	Holes			E	F	G	I	L	M	ØP	Capacitor (µF)		Cable entry thread	Seal g
					ØD	ØH	N°								220V 50Hz	115V 60Hz		
MTF 15/80-S02	G	241	211,5	93	188	12	4	144	32(50Hz) 20(60Hz)	10	65	103	32	-	3,15	25	M20x1,5	OR 4650
MTF 15/200-S02	G	292,5	215	114(50Hz) 108(60Hz)	187	12	4	179,5	48(50Hz) 40(60Hz)	13	77	127	36	-	5	25	M20x1,5	OR 4625
MTF 15/400-S02	G	335,5	245	130	205	12	6	124	59(50Hz) 42(60Hz)	12	93	145	118,5	162	12 <sup>○</sup> +20 <sup>●</sup>	35	M20x1,5	OR 4700
MTF 15/550-S02	G	376,5	245	130	205	12	6	124	79(50Hz) 59(60Hz)	12	114	145	138,5	162	12 <sup>○</sup> +20 <sup>●</sup>	35 <sup>○</sup> +10 <sup>●</sup>	M20x1,5	OR 4700
MTF 15/700-S02	G	380,5	260	154	230	15	6	182	59(50Hz) 46(60Hz)	15	106	170	92,5	150	16 <sup>○</sup> +80 <sup>●</sup>	40 <sup>○</sup> +120 <sup>●</sup>	M25x1,5	OR 4800

Δ Supplied without weight covers on both sides. ○ Running capacitor / ● Additional capacitor only for start-up.

