

MTF



2 poles - 3.000/3.600 rpm

Three-phase

DESCRIPTION					MECHANICAL SPECIFICATIONS						ELECTRICAL SPECIFICATIONS					
Code	Type	SIZE	SP	Ex II2D Temp. class	Centrifugal force (A/B)*				Weight		Max input power		Max. current		Ia/In	
					kg	kN	kg	kN	50Hz	60Hz	50Hz	60Hz	W	W	A	A
600375	MTF 3/65-S02	00	-	120°C	31/31	44/44	0,30/0,30	0,43/0,43	5,4	5,4	120	120	0,27	0,23	3,43	3,90
600369	MTF 3/200-S02	01	•	120°C	102/102	117/117	1,00/1,00	1,15/1,15	7,5	7,3	180	180	0,35	0,30	2,68	3,00
600370	MTF 3/300-S02	10	•	120°C	151/151	163/163	1,48/1,48	1,60/1,60	11,2	10,9	260	270	0,60	0,50	3,47	4,20
600378	MTF 3/500-S02	20	•	120°C	292/292	252/252	2,86/2,86	2,47/2,47	15,0	14,1	450	500	0,80	0,75	4,21	4,80
600456	MTF 3/700-S02	20	•	120°C	350/350	336/336	3,43/3,43	3,30/3,30	15,2	14,3	450	500	0,80	0,75	4,21	4,80
600380	MTF 3/800-S02	30	•	120°C	375/375	405/405	3,67/3,67	3,97/3,97	17,0	16,5	650	685	1,10	1,00	3,83	6,00
600285	MTF 3/1100-S90 Δ	40	•	120°C	553/553	530/530	5,42/5,42	5,20/5,20	26,0	25,0	940	1130	1,70	1,60	6,79	7,00

Single-phase

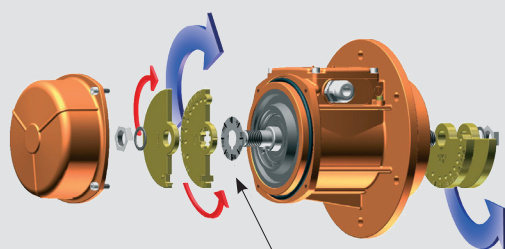
Code	Type	SIZE	SP	Ex II2D Temp. class	Centrifugal force (A/B)*				Weight		Max input power		Max. current		Ia/In	
					kg	kN	kg	kN	50Hz	60Hz	50Hz	60Hz	W	W	A	A
600375	MTF 3/65-S02	00	-	120°C	31/31	44/44	0,30/0,30	0,43/0,43	5,4	5,4	110	110	0,56	1,52	2,24	2,24
600369	MTF 3/200-S02	01	-	120°C	102/102	117/117	1,00/1,00	1,15/1,15	7,5	7,3	165	165	0,75	1,52	1,67	2,24
600370	MTF 3/300-S02	10	-	120°C	151/151	163/163	1,48/1,48	1,60/1,60	11,2	10,9	280	280	1,25	2,40	2,48	3,52
600378	MTF 3/500-S02	20	-	120°C	292/292	252/252	2,86/2,86	2,47/2,47	15,0	14,1	500	500	2,30	4,50	3,35	4,22
600456	MTF 3/700-S02	20	-	120°C	350/350	336/336	3,43/3,43	3,30/3,30	15,2	14,3	500	500	2,30	4,50	3,35	4,22
600380	MTF 3/800-S02	30	-	120°C	375/375	405/405	3,67/3,67	3,97/3,97	17,0	16,5	700	750	3,25	7,00	4,00	4,14

* Listed as A/B: total centrifugal force is the sum of centrifugal force of top weights (A) and centrifugal force of bottom weights (B).

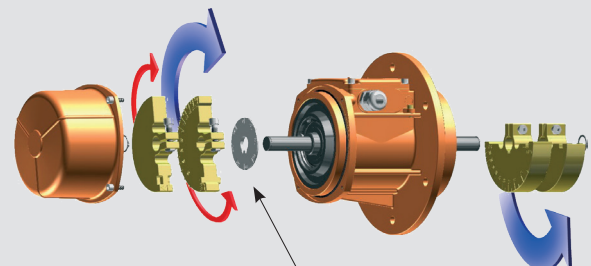
Ia/In = ratio between start-up current and maximum current.

Weight adjustment

Frontal fixing weights



Clamp fixing weights



Graduated disks for upper and lower weight group phase shift

Regulation between upper and lower weight groups

Single weight phase shift

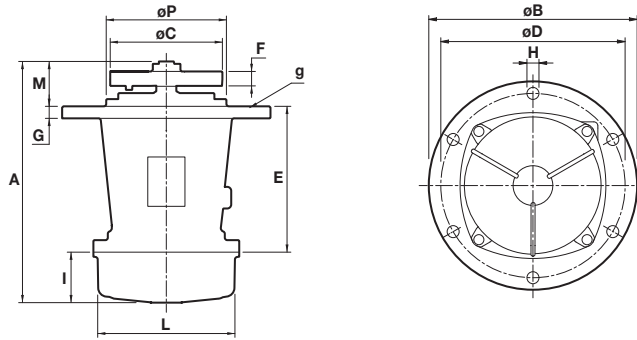


Fig. G

DIMENSIONAL SPECIFICATIONS (mm)

Type	Fig.	A	ØB	ØC	ØD	ØH	N°	E	F	G	I	L	M	ØP	Capacitor (µF)		Cable entry thread	Seal g
															220V 50Hz	115V 60Hz		
MTF 3/65-S02	G	191	130	86	109	8,5	4	129	8	10	40	106	22	-	-	-	M20x1,5	OR 3350
MTF 3/200-S02	G	226	211,5	93	188	12	4	144	20(50Hz) 16(60Hz)	10	58	103	23,5	-	-	-	M20x1,5	OR 4650
MTF 3/300-S02	G	247	215	114	187	12	4	179,5	16(50Hz) 12(60Hz)	13	54	127	13,5	-	-	-	M20x1,5	OR 4625
MTF 3/500-S02	G	279,5	245	132	205	12	6	124	20(50Hz) 12(60Hz)	12	65	145	90,5	162	-	-	M25x1,5	OR 4700
MTF 3/700-S02	G	279,5	245	132	205	12	6	124	24(50Hz) 16(60Hz)	12	65	145	90,5	162	-	-	M25x1,5	OR 4700
MTF 3/800-S02	G	301	260	154	230	15	6	182	16(50Hz) 12(60Hz)	15	63	170	56	150	-	-	M25x1,5	OR 4800
MTF 3/1100-S90Δ	G	383	279	145	254	14	4	-	31(50Hz) 21(60Hz)	17,5	57,5	-	63	229	-	-	M25x1,5	-

Tipo	Fig.	A	ØB	ØC	ØD	ØH	N°	E	F	G	I	L	M	ØP	Capacitor (µF)		Cable entry thread	Seal g
															220V 50Hz	115V 60Hz		
MTF 3/65-S02	G	191	130	86	109	8,5	4	129	8	10	40	106	22	-	10	28	M20x1,5	OR 3350
MTF 3/200-S02	G	226	211,5	93	188	12	4	144	20(50Hz) 16(60Hz)	10	58	103	23,5	-	10	35	M20x1,5	OR 4650
MTF 3/300-S02	G	247	215	114	187	12	4	179,5	16(50Hz) 12(60Hz)	13	54	127	13,5	-	16	25	M20x1,5	OR 4625
MTF 3/500-S02	G	279,5	245	132	205	12	6	124	20(50Hz) 12(60Hz)	12	65	145	90,5	162	12,5	50	M25x1,5	OR 4700
MTF 3/700-S02	G	279,5	245	132	205	12	6	124	24(50Hz) 16(60Hz)	12	65	145	90,5	162	12,5	50	M25x1,5	OR 4700
MTF 3/800-S02	G	301	260	154	230	15	6	182	16(50Hz) 12(60Hz)	15	63	170	56	150	25	90	M25x1,5	OR 4800

Δ Supplied without weight covers on both sides.

