

MTF-E



4 poles - 1.500/1.800 rpm

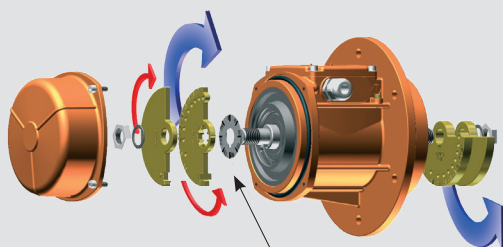
Three-phase

DESCRIPTION			MECHANICAL SPECIFICATIONS						ELECTRICAL SPECIFICATIONS									
Code	Type	SIZE	Centrifugal force (A/B)*				Weight		Temp. class (G)	Temp. class (D)	Max input power		Power rating		Max. current		IE (s)	Ia/In
			50Hz	60Hz	50Hz	60Hz	50Hz	60Hz			50Hz	60Hz	50Hz	60Hz	400V 50Hz	460V 60Hz		
6E1403	MTF 15/200E-S02	10	106/74	107/107	1,04/0,72	1,05/1,05	14,0	13,2	T3	120°C	203	-	90	-	0,45	-	35	2,04
6E1405	MTF 15/400E-S02	20	205/142	205/205	2,01/1,39	2,01/2,01	20,6	19,8	T3	120°C	300	320	200	230	0,57	0,52	18	3,33
									T4		285	270	180	200	0,52	0,46	16	3,63
6E1406	MTF 15/550E-S02	20	276/205	295/295	2,70/2,01	2,70/2,70	22,0	20,6	T3	120°C	300	320	200	230	0,57	0,52	18	3,33
									T4		285	270	180	200	0,52	0,46	16	3,63
6E1407	MTF 15/700E-S02	30	360/263	380/380	3,53/2,58	3,73/3,73	26,0	24,5	T3	120°C	460	500	310	380	0,86	0,85	17	3,50
									T4		360	420	240	210	0,72	0,70	12	4,20
6E1280	MTF 15/1100E-S90 Δ	40	504/504	491/491	4,94/4,94	4,82/4,82	36,0	31,4	T3	120°C	900	950	660	730	1,38	1,32	13	4,00
									T4		630	700	460	505	1,05	1,00	8	5,36
6E1379	MTF 15/1710E-S02-VRS	50	894/322	878/355	8,77/3,16	8,61/3,48	44,0	41,5	T3	150°C	1100	1150	730	800	1,90	1,82	9	4,95
									T4		630	700	480	530	1,33	1,27	6	7,00
6E1380	MTF 15/2000E-S02-VRS	50	1021/357	1017/390	10,0/3,50	9,98/3,83	48,0	45,5	T3	150°C	1100	1150	730	800	1,90	1,82	9	4,95
									T4		630	700	480	530	1,33	1,27	6	7,00
6E1381	MTF 15/3810E-S02-VRS	70	1908/707	1872/718	18,7/6,94	18,4/7,04	100	93,0	T3	135°C	2200	2400	1780	1960	3,71	3,50	6	7,17
									T4		1850	1950	1500	1650	3,14	3,00	6	8,42

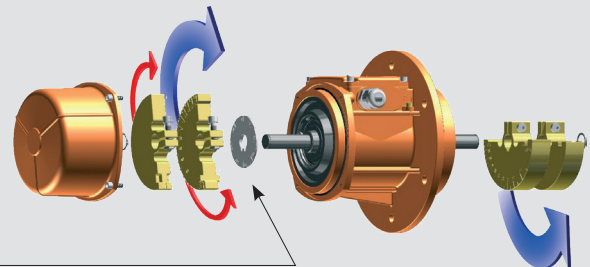
* Listed as A/B: total centrifugal force is the sum of centrifugal force of top weights (A) and centrifugal force of bottom weights (B).
 ○ Available only in versions 127/220V 50Hz three-phase, 200/346V 50Hz three-phase and 210/363V 60Hz three-phase.

Weight adjustment

Frontal fixing weights



Clamp fixing weights



Graduated disks for upper and lower weight group phase shift

Regulation between upper and lower weight groups

Single weight phase shift

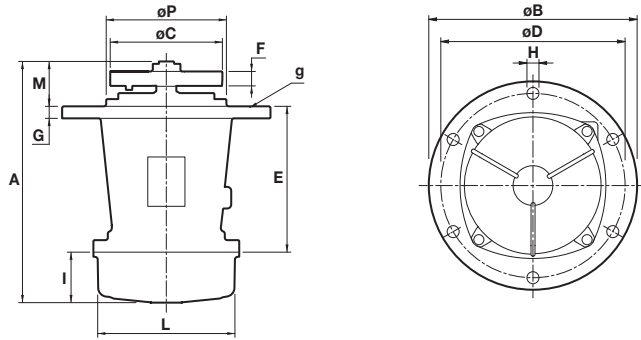


Fig. G

DIMENSIONAL SPECIFICATIONS (mm)

Type	Fig.	A	ØB	ØC	Holes			E	F	G	I	L	M	ØP	Cable entry thread	Seal g
					ØD	ØH	N°									
MTF 15/200E-S02	G	292,5	215	114(50Hz) 108(60Hz)	187	12	4	179,5	48(50Hz) 40(60Hz)	13	77	127	36	-	M20x1,5	OR 4625
MTF 15/400E-S02	G	335,5	245	130	205	12	6	124	59(50Hz) 42(60Hz)	12	93	145	118,5	162	M25x1,5	OR 4700
MTF 15/550E-S02	G	376,5	245	130	205	12	6	124	79(50Hz) 59(60Hz)	12	114	145	138,5	162	M25x1,5	OR 4700
MTF 15/700E-S02	G	380,5	260	154	230	15	6	182	59(50Hz) 46(60Hz)	15	106	170	92,5	150	M25x1,5	OR 4800
MTF 15/1100E-S90 Δ	G	429	279	190	254	14	4	-	49	17,5	57,5	-	-	229	M25x1,5	-
MTF 15/1710E-S02-VRS	G	488	350	190	290	17	6	232	84(50Hz) 57(60Hz)	25	134	209	122	172	M25x1,5	-
MTF 15/2000E-S02-VRS	G	500(50Hz) 488(60Hz)	350	193	290	17	6	232	100(50Hz) 68(60Hz)	25	134	209	133(50Hz) 122(60Hz)	172	M25x1,5	-
MTF 15/3810E-S02-VRS	G	614	410	250(50Hz) 244(60Hz)	350	22	6	310	78(50Hz) 57(60Hz)	27	178	280	126	234	M25x1,5	-

Δ Supplied without weight covers on both sides. tE (s) = set time tE from IEC/EN 60079-7. Ia/In = ratio between start-up current and maximum current.

