

MTF-E



2 poles - 3.000/3.600 rpm

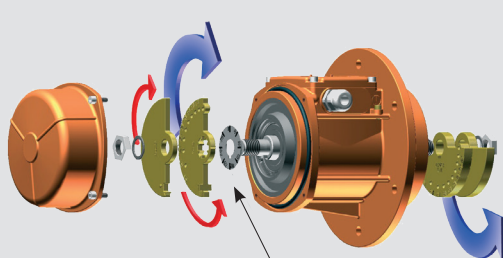
Three-phase

DESCRIPTION			MECHANICAL SPECIFICATIONS						ELECTRICAL SPECIFICATIONS									
Code	Type	SIZE	Centrifugal force (A/B)*				Weight		Temp. class (G)	Temp. class (D)	Max input power		Power rating		Max. current		tE (s)	Ia/In
			50Hz	60Hz	50Hz	60Hz	50Hz	60Hz			50Hz	60Hz	50Hz	60Hz	400V 50Hz	460V 60Hz		
6E0369	MTF 3/200E-S02 ○	01	102/102	117/117	1,00/1,00	1,15/1,15	7,50	7,30	T3	120°C	180	180	120	120	-	-	30	2,68
6E0370	MTF 3/300E-S02	10	151/151	163/163	1,48/1,48	1,60/1,60	11,2	10,9	T3	120°C	260	270	210	210	0,57	0,50	18	3,50
6E0378	MTF 3/500E-S02	20	292/292	252/252	2,86/2,86	2,47/2,47	15,0	14,1	T3	120°C	500	500	300	300	0,76	6,67	12	4,20
6E0456	MTF 3/700E-S02	20	350/350	336/336	3,43/3,43	3,30/3,30	15,2	14,3	T3	120°C	500	500	300	300	0,76	6,67	12	4,20
6E0380	MTF 3/800E-S02	30	375/375	405/405	3,67/3,67	3,97/3,97	17,0	16,5	T3	120°C	550	570	405	405	0,95	0,83	12	4,20
6E0285	MTF 3/1100E-S90 Δ	40	553/553	530/530	5,42/5,42	5,20/5,20	26,0	25,0	T4	120°C	830	910	660	660	1,43	1,25	6	7,30

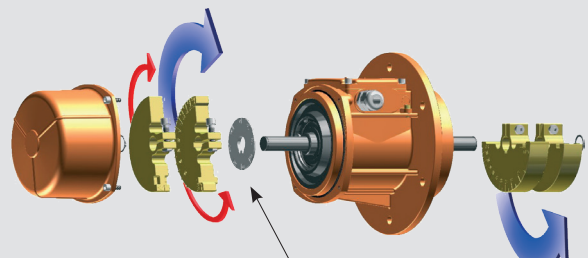
* Listed as A/B: total centrifugal force is the sum of centrifugal force of top weights (A) and centrifugal force of bottom weights (B).
 ○ Available only in versions 127/220V 50Hz three-phase, 200/346V 50Hz three-phase and 210/363V 60Hz three-phase.

Weight adjustment

Frontal fixing weights



Clamp fixing weights



Graduated disks for upper and lower weight group phase shift

Regulation between upper and lower weight groups

Single weight phase shift

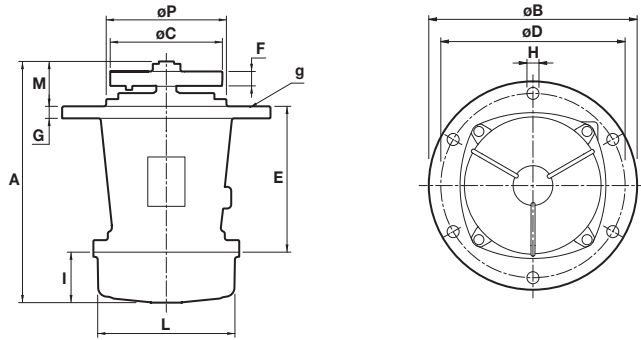


Fig. G

DIMENSIONAL SPECIFICATIONS (mm)

Type	Fig.	A	ØB	ØC	Holes			E	F	G	I	L	M	ØP	Cable entry thread	Seal g
					ØD	ØH	N°									
MTF 3/200E-S02 ○	G	226	211,5	93	188	12	4	144	20(50Hz) 16(60Hz)	10	58	103	23,5	-	M20x1,5	OR 4650
MTF 3/300E-S02	G	247	215	114	187	12	4	179,5	16(50Hz) 12(60Hz)	13	54	127	13,5	-	M20x1,5	OR 4625
MTF 3/500E-S02	G	279,5	245	132	205	12	6	124	20(50Hz) 12(60Hz)	12	65	145	90,5	162	M25x1,5	OR 4700
MTF 3/700E-S02	G	279,5	245	132	205	12	6	124	24(50Hz) 16(60Hz)	12	65	145	90,5	162	M25x1,5	OR 4700
MTF 3/800E-S02	G	301	260	154	230	15	6	182	16(50Hz) 12(60Hz)	15	63	170	56	150	M25x1,5	OR 4800
MTF 3/1100E-S90 Δ	G	383	279	145	254	14	4	-	31(50Hz) 21(60Hz)	17,5	57,5	-	63	229	M25x1,5	-

Δ Supplied without weight covers on both sides. tE (s) = set time tE from IEC/EN 60079-7. Ia/In = ratio between start-up current and maximum current.

